

XEROX.

printer

Quick Use Guide

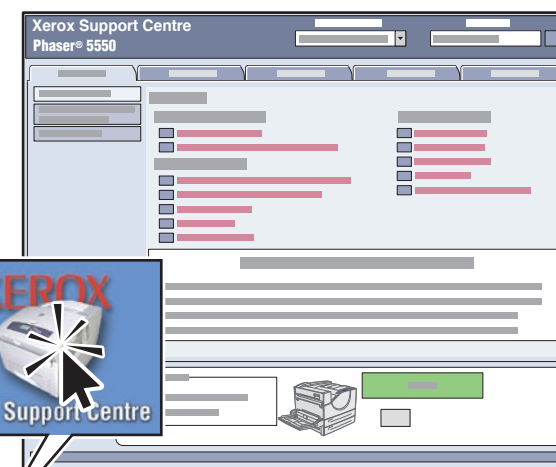


Basic Printing
Supported Papers
Control Panel Buttons
Paper Jams
Printer Tour
Supplies Info



More information

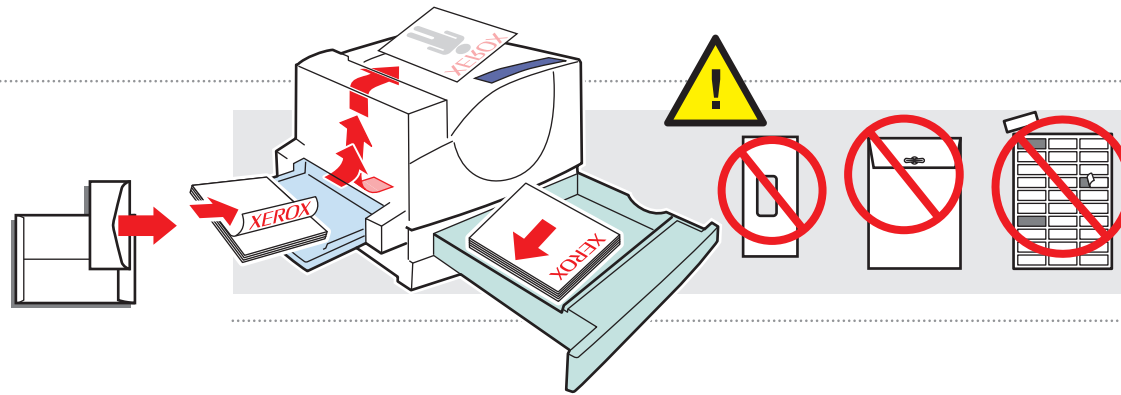
Xerox Support Centre



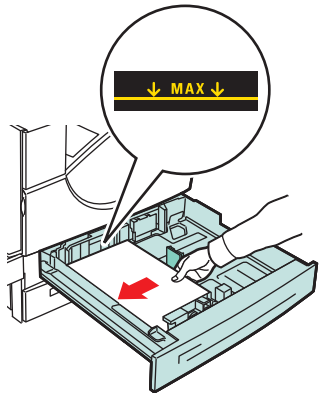
Utility installs with the printer driver, or go to www.xerox.com/office/5550support. Double-click the icon on the Windows desktop or Mac OS X dock.

- **User manuals and video tutorials**
- **Troubleshooting**
- **Printer and supplies status**
- **User safety**
- **Material Safety Data Sheets**

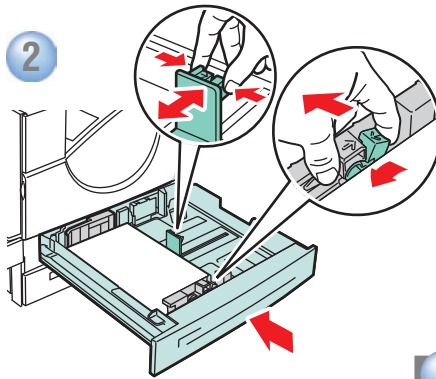
Basic Printing



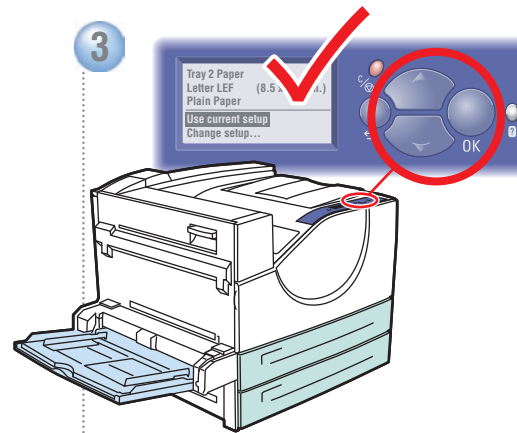
1



2

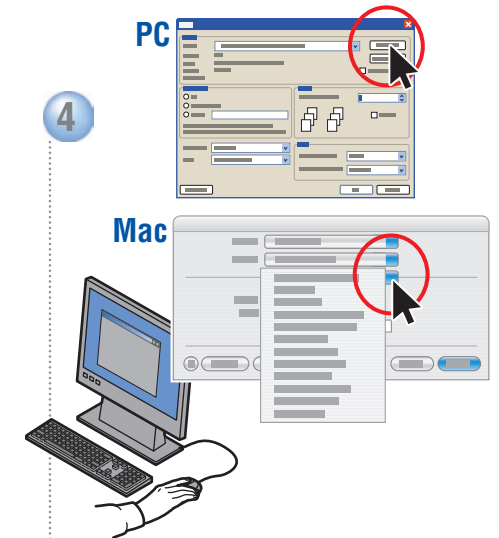


3



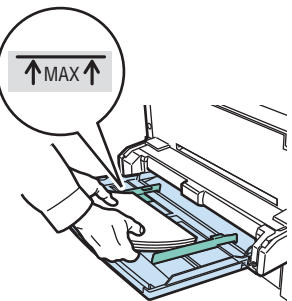
● Confirm or change settings.

4

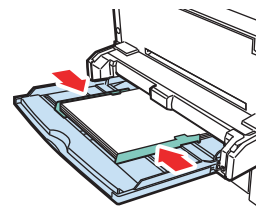


● Select properties. Use the Xerox printer driver.

1



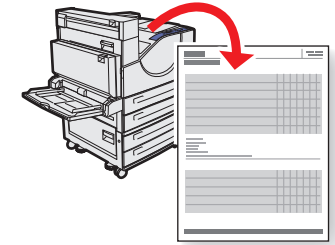
2



Supported Papers



Print the Paper Tips page for more information.

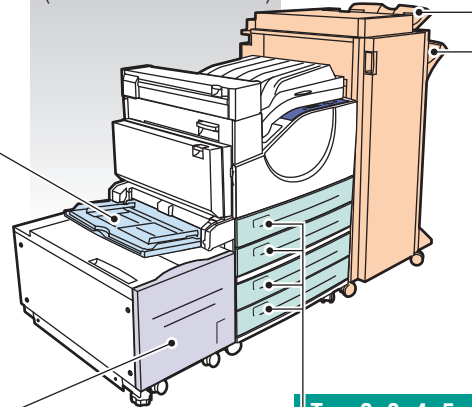


See the **Printing Basics** chapter in the *User Guide*.



Tray 1, 3, 4, 5, 6
60 – 215 g/m²
(16 lb. Bond – 57 lb. Bond/
80 lb. Cover)

Tray 2
60 – 105 g/m²
(16 lb. Bond – 28 lb. Bond)



| Upper, Lower Tray | |
|-------------------|-----------------|
| Executive | 7.25 x 10.5 in. |
| Letter | 8.5 x 11.0 in. |
| US Folio | 8.5 x 13.0 in. |
| Legal | 8.5 x 14.0 in. |
| Tabloid | 11.0 x 17.0 in. |
| Custom | (SE) x (LE) |
| A4 | 210 x 297 mm |
| A3 | 297 x 420 mm |
| B5 JIS | 182 x 257 mm |
| B4 JIS | 257 x 364 mm |

| Tray 1 (MPT) | |
|----------------|-----------------|
| Small Postcard | 3.5 x 5.5 in. |
| Large Postcard | 4.0 x 6.0 in. |
| Statement | 5.5 x 8.5 in. |
| Executive | 7.25 x 10.5 in. |
| Letter | 8.5 x 11.0 in. |
| US Folio | 8.5 x 13.0 in. |
| Legal | 8.5 x 14.0 in. |
| Tabloid | 11.0 x 17.0 in. |
| Custom | (SE) x (LE) |
| A6 | 105 x 148 mm |
| A5 | 148 x 210 mm |
| A4 | 210 x 297 mm |
| A3 | 297 x 420 mm |
| B6 JIS | 128 x 182 mm |
| B5 JIS | 182 x 257 mm |
| B4 JIS | 257 x 364 mm |

| Tray 2, 3, 4, 5 | |
|-----------------|-----------------|
| Statement | 5.5 x 8.5 in. |
| Executive | 7.25 x 10.5 in. |
| Letter | 8.5 x 11.0 in. |
| US Folio | 8.5 x 13.0 in. |
| Legal | 8.5 x 14.0 in. |
| Tabloid | 11.0 x 17.0 in. |
| Custom | (SE) x (LE) |
| A5 | 148 x 210 mm |
| A4 | 210 x 297 mm |
| A3 | 297 x 420 mm |
| B5 JIS | 182 x 257 mm |
| B4 JIS | 257 x 364 mm |

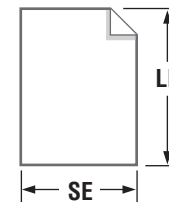
| Tray 6 | |
|-----------|-----------------|
| Executive | 7.25 x 10.5 in. |
| Letter | 8.5 x 11.0 in. |
| A4 | 210 x 297 mm |
| B5 JIS | 182 x 257 mm |

| | |
|--------|----------------|
| Letter | 8.5 x 11.0 in. |
| A4 | 210 x 297 mm |

| | |
|---------|----------------|
| Monarch | 3.87 x 7.5 in. |
| # 10 | 4.12 x 9.5 in. |
| DL | 110 x 220 mm |
| C5 | 162 x 229 mm |
| C4 | 229 x 324 mm |

| | |
|--------|----------------|
| Letter | 8.5 x 11.0 in. |
| A4 | 210 x 297 mm |

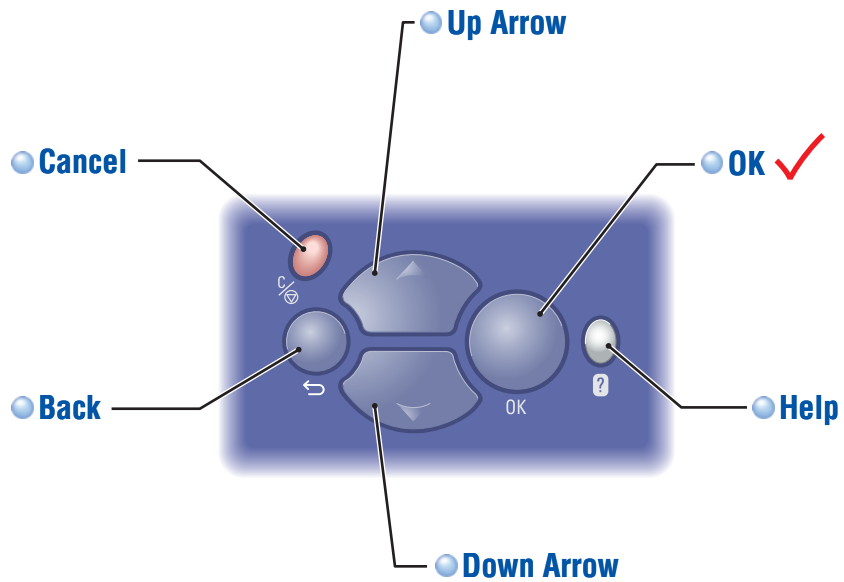
Custom (SE) x (LE)



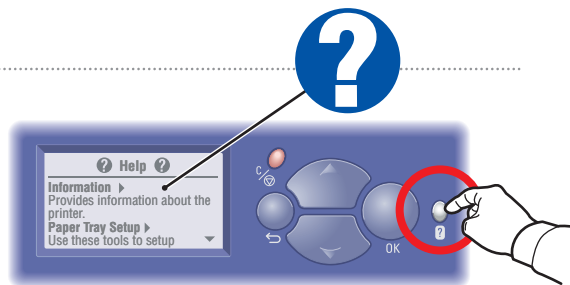
| Tray 1 (MPT) | |
|--------------|------------------------------|
| SE | 89–297 mm (3.5–11.7 in.) |
| LE | 98–432 mm (3.87–17.0 in.) |

| Tray 2, 3, 4, 5 | |
|-----------------|-------------------------------|
| SE | 140–297 mm (5.5–11.7 in.) |
| LE | 182–432 mm (7.16–17.0 in.) |

Control Panel Buttons

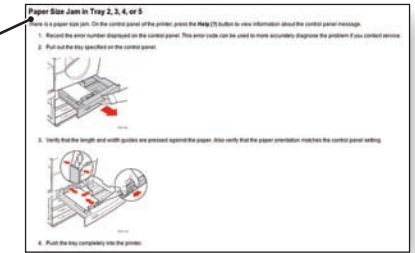
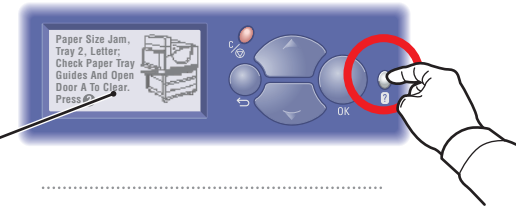


Help Button: Press at any time to display additional information about the message or menu.

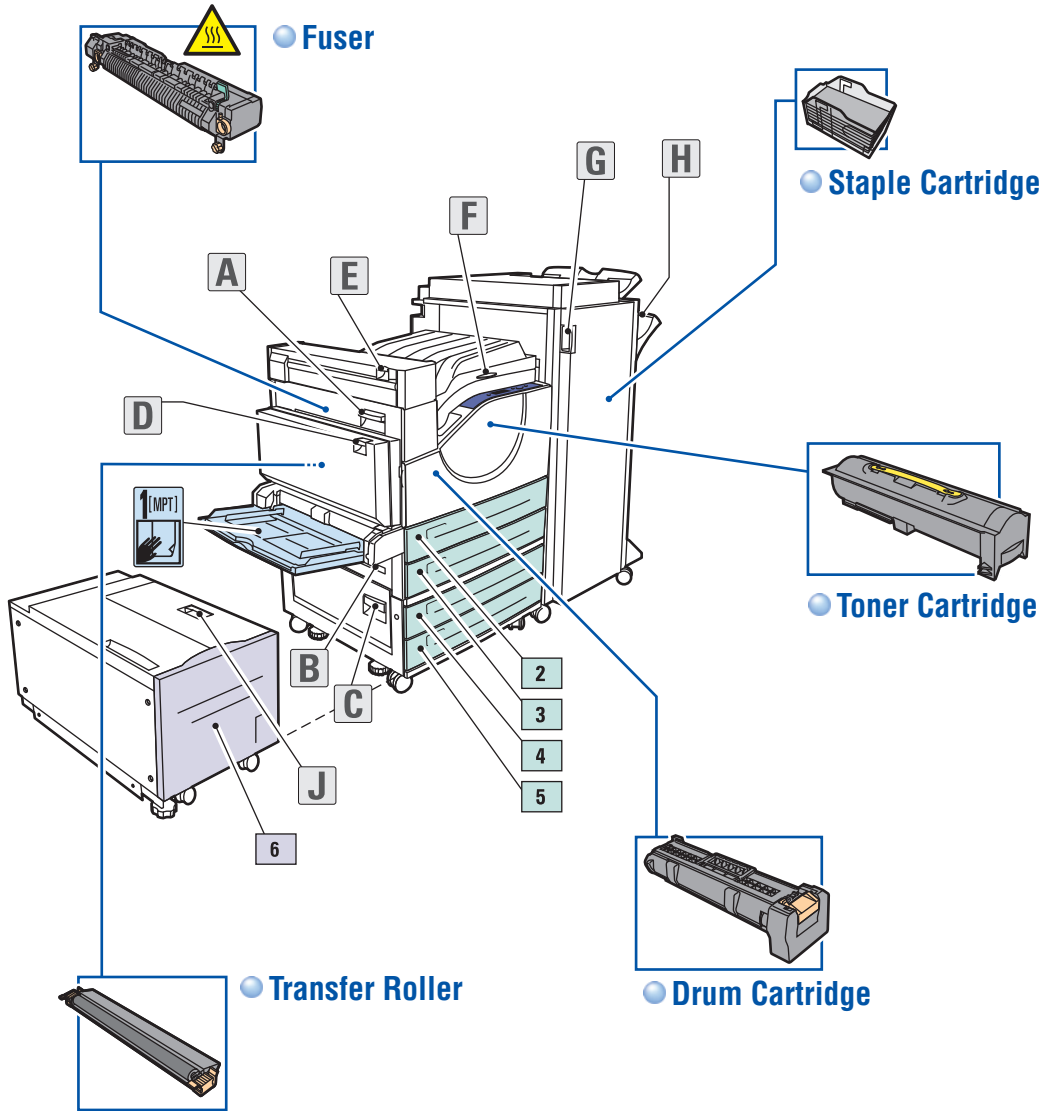


Paper Jams

- Press **Help Button** for jam clearing procedures.
- View **PrintingScout® message** or see the **Troubleshooting** chapter in the *User Guide*.



Printer Tour



Supplies Info

