

Exit Kit Installation Guide

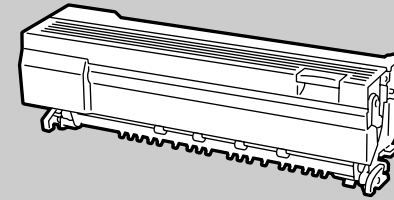
Guide d'installation du kit de sortie

Guida all'installazione del kit di uscita

Installationsanleitung Ausgabevorrichtung

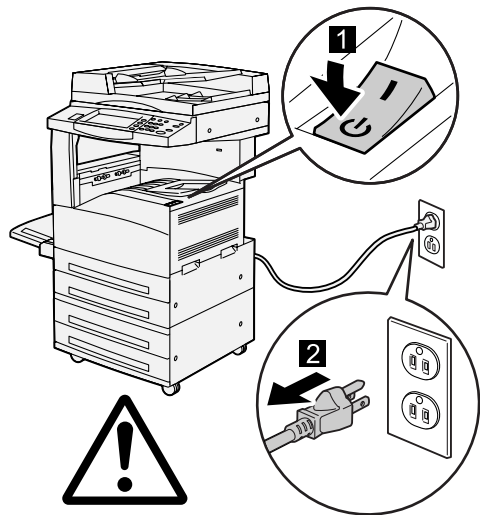
Guía de instalación del kit a dos caras

Sair do Guia de Instalação do Kit da Impressora

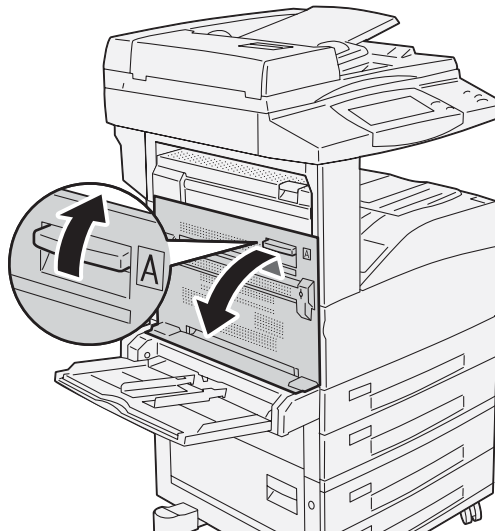


893E 23681
MB3055Y6-2

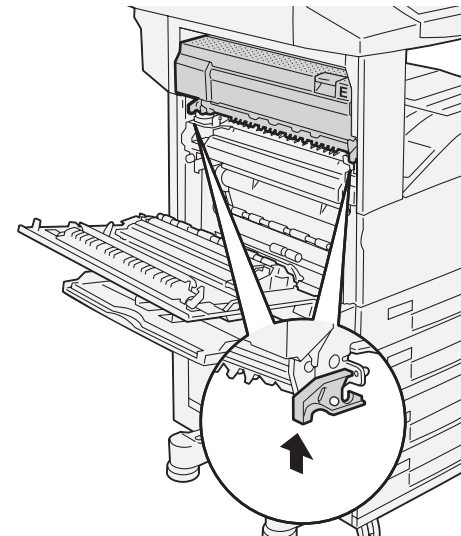
1



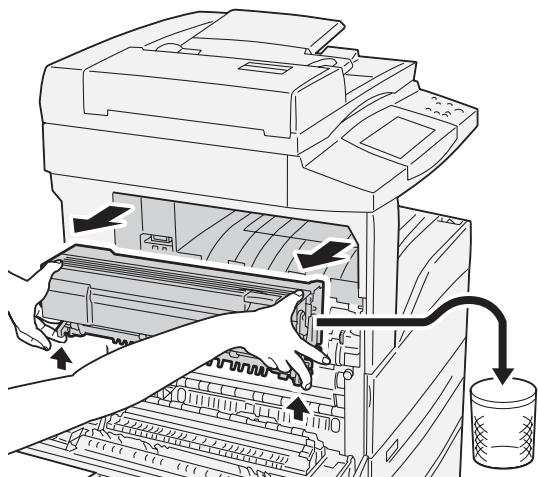
2



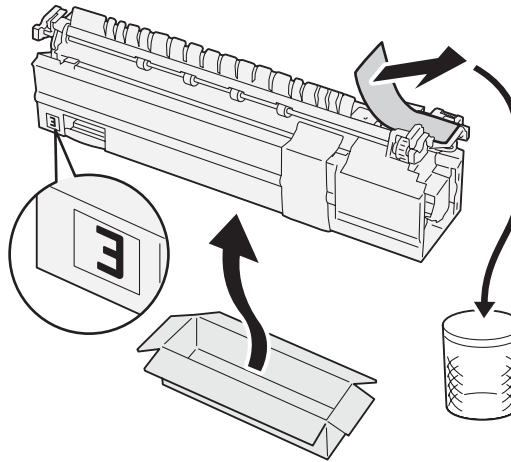
3



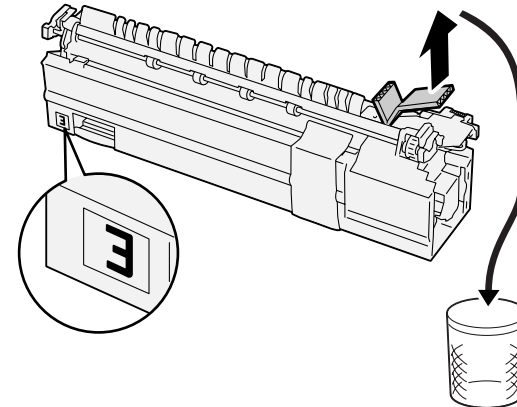
4



5

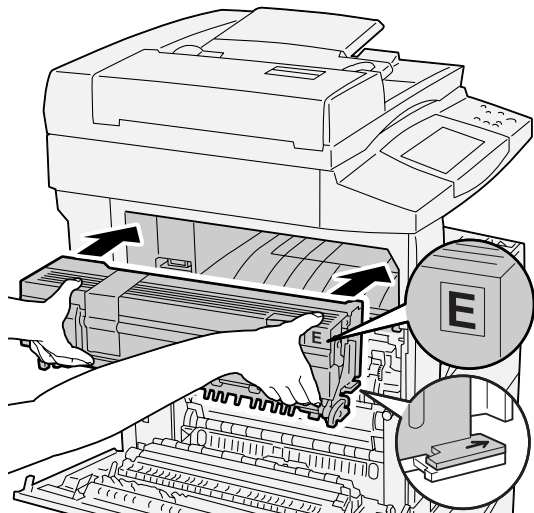


6

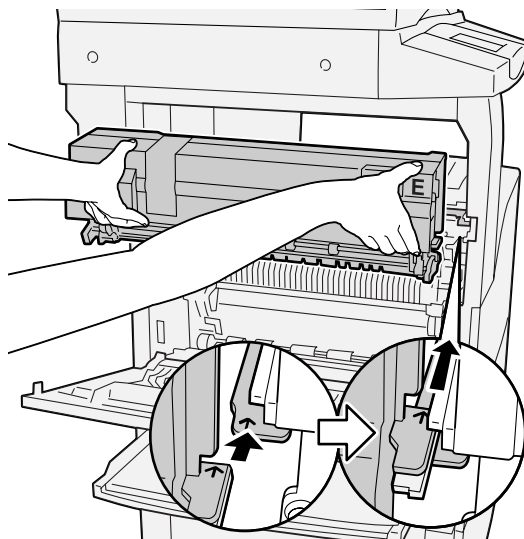


7 →

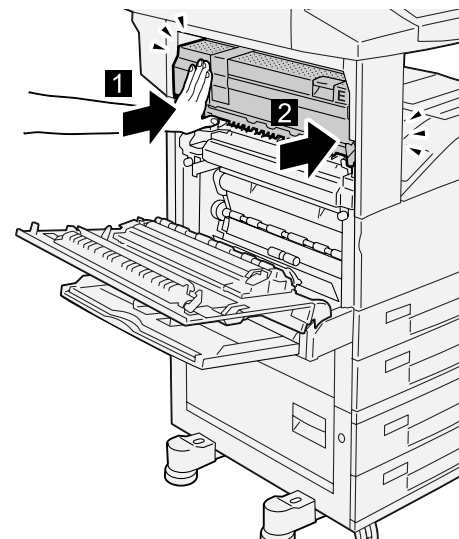
7



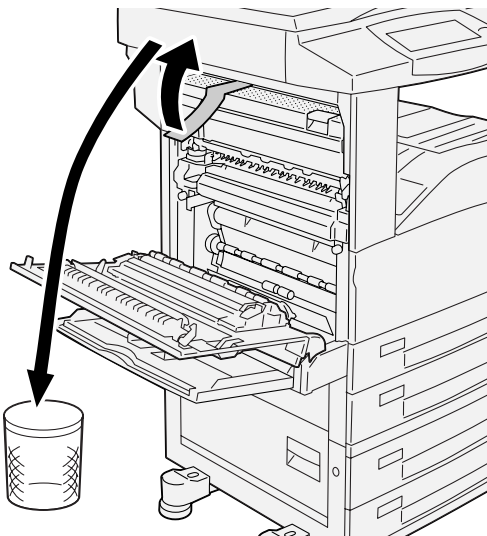
8



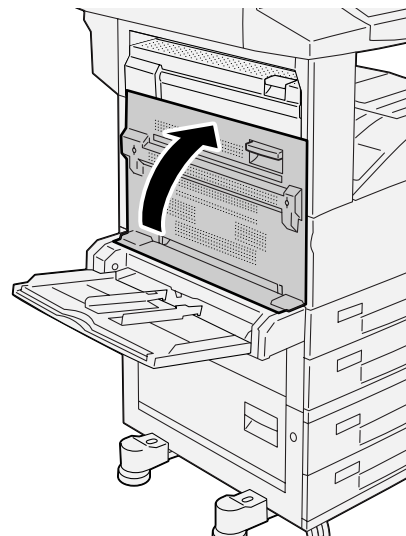
9



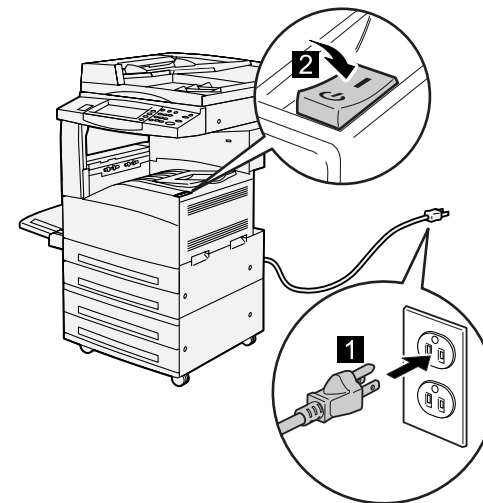
10



11



12

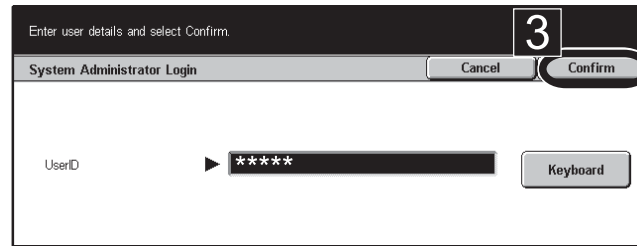
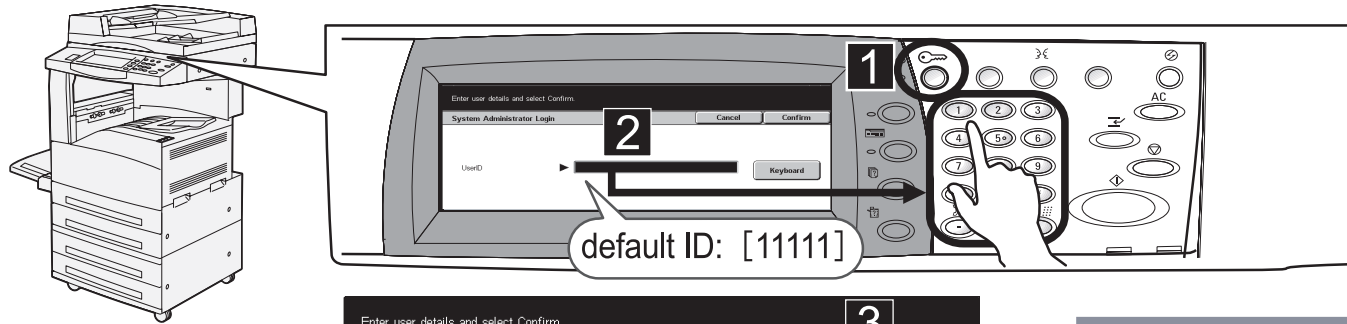


13 →

13 →

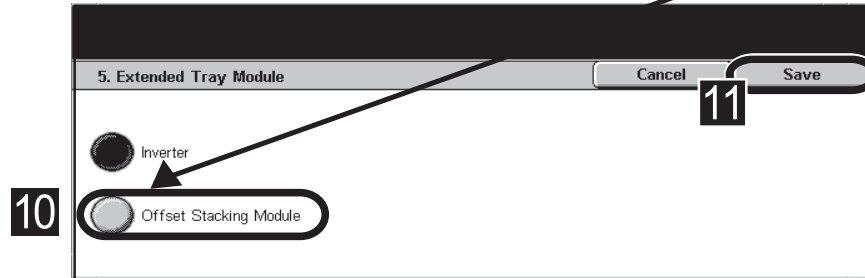
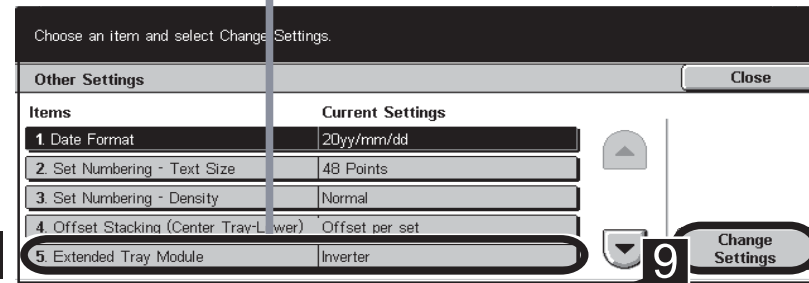
13 →

13



Note: When [Extended Tray Module] is not displayed on the [Items] screen, Exit Kit is not correctly connected. Re-install the Kit.

- 4 System Settings
- 5 System Settings
- 6 Common Settings
- 7 Other Settings



- 12 × 3
- 13