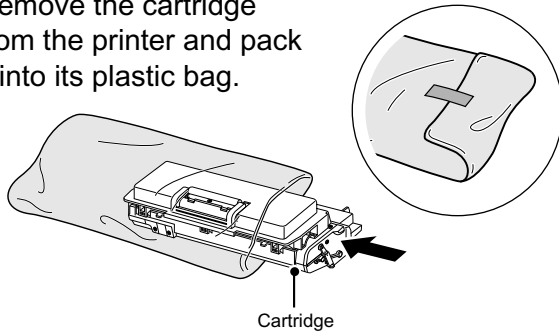
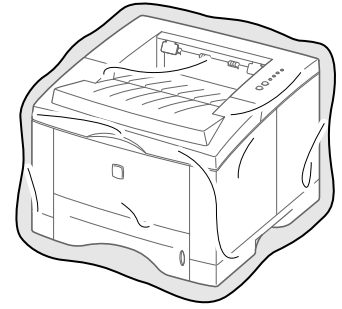


Phaser® 3400 Repack Instructions

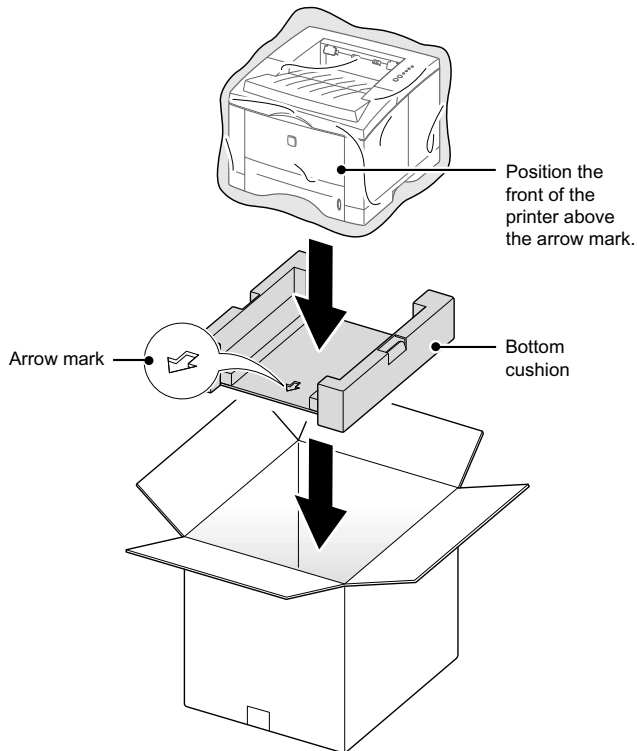
- 1** Remove the cartridge from the printer and pack it into its plastic bag.



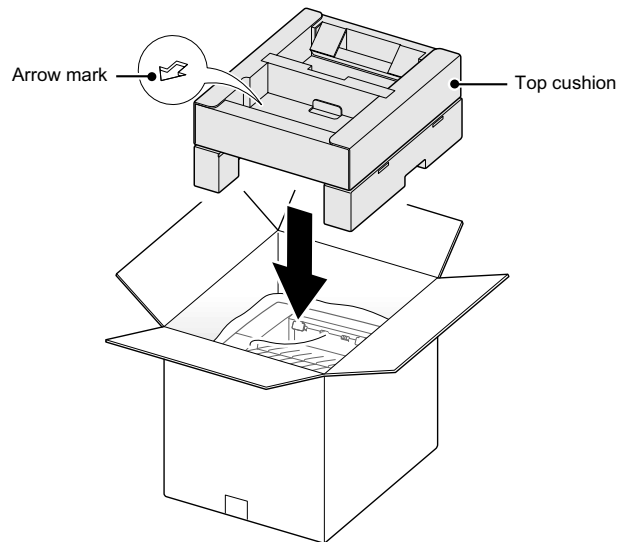
- 2** Cover the printer with its plastic bag.



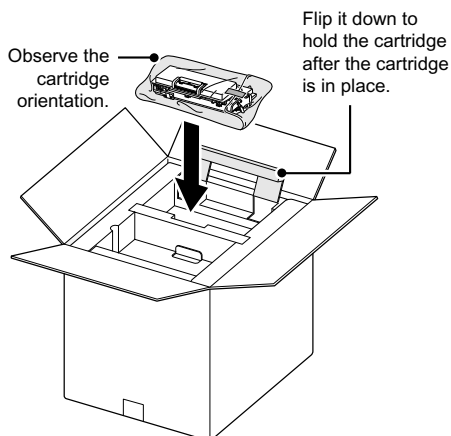
- 3** Place the bottom cushion in the box with the arrow mark on the bottom of the cushion facing front. Then place the printer in the box.



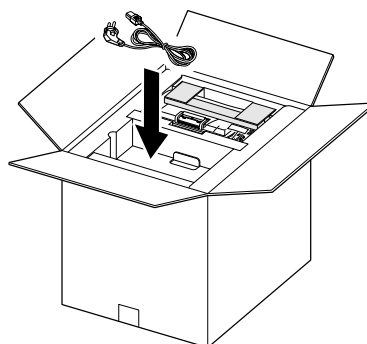
- 4** Insert the top cushion in the box with the arrow mark on the cushion facing front.



- 5** Insert the packed cartridge in place as shown in the figure below.



- 6** Insert the power cord in place as shown in the figure below.



- 7** Close the cover then tape the box.

