



**C.P. Bourg Document Finisher (BDFx)**

**with optional Cover Feeder,**

**Square Edge Module and Sheet Rotator**

**Finishing**

# **Solutions Planning Guide**

## **Supported Printers:**

- **Xerox DocuTech® 61xx**
- **Xerox DocuTech® 1xx HighLight Color (HLC)**
- **Xerox DocuPrint® 1xx**
- **Xerox iGen3® Digital Production Press**
- **Xerox Nuvera™ 100 / 120 Digital Production System**

July 13, 2005  
Rev. E

Xerox Corporation  
Global Knowledge & Language Services  
800 Philips Road Bldg. 845 – 17S  
Webster, NY 14580  
Copyright © 2004 Xerox Corporation. All rights reserved.  
Printed in the United States of America.

Please contact Xerox Feeding and Finishing with any comments or suggestions regarding the content within this document:  
[xeroxfinishing@usa.xerox.com](mailto:xeroxfinishing@usa.xerox.com)

Copyright protection claimed includes all forms and matters of copyrighted material and information now allowed by statutory or judicial law of hereinafter granted, including without limitation, material generated from the software programs that are displayed on the screen such as styles, icons, screen displays, looks, etc.

Xerox®, The Document Company®, the digital X®, the Xerox DocuTech®, the Xerox DocuPrint®, Xerox iGen3® Digital Production Press and Xerox Nuvera™ Digital Production System are trademarks of, or licensed to, Xerox Corporation.  
Other product names used herein are trademarks of their respective owners.

---

<b>INTRODUCTION</b>	<b>I</b>
<i>About this guide</i>	<i>I</i>
<i>Contents</i>	<i>I</i>
1. PRODUCT OVERVIEW	1-1
<i>Install Planning</i>	<i>1-2</i>
Device Configurations	1-2
Space Requirements	1-2
Electrical Requirements	1-5
Environmental Requirements	1-6
Estimated Installation Time	1-6
Operating Supplies	1-6
Floor Load	1-7
Floor Level	1-7
<i>Unique Features Set</i>	<i>1-8</i>
Saddle Stitch	1-8
Edge / Top / Corner Stitch	1-8
2. XEROX DOCUTECH® 61XX	2-1
<i>Performance Specifications (DT61xx)</i>	<i>2-1</i>
<i>Performance Specifications (DT61xx with XSIS kit)</i>	<i>2-1</i>
<i>Limitations</i>	<i>2-2</i>
<i>System Dependencies and Prerequisites</i>	<i>2-2</i>
<i>Configuration Guide</i>	<i>2-2</i>
<i>Productivity Guide</i>	<i>2-3</i>
3. XEROX DOCUTECH® 1XX HIGHLIGHT COLOR (HLC)	3-1
<i>Performance Specifications (DT1xx HLC)</i>	<i>3-1</i>
<i>Limitations</i>	<i>3-2</i>
<i>System Dependencies and Prerequisites</i>	<i>3-2</i>
<i>Configuration Guide</i>	<i>3-3</i>
<i>Productivity Guide</i>	<i>3-3</i>
4. XEROX DOCUPRINT® 1XX	4-1
<i>Performance Specifications (DP180)</i>	<i>4-1</i>
<i>Performance Specifications (DP180 with XSIS kit)</i>	<i>4-2</i>
<i>Limitations</i>	<i>4-2</i>
<i>System Dependencies and Prerequisites</i>	<i>4-3</i>
<i>Configuration Guide</i>	<i>4-3</i>
<i>Productivity Guide</i>	<i>4-4</i>
5. XEROX IGEN3® DIGITAL PRODUCTION PRESS	5-1
<i>Performance Specifications</i>	<i>5-1</i>
<i>Limitations</i>	<i>5-2</i>
<i>System Dependencies and Prerequisites</i>	<i>5-2</i>
<i>Configuration Guide</i>	<i>5-2</i>
<i>Productivity Guide</i>	<i>5-3</i>
6. XEROX NUVERA™ 100 / 120 DIGITAL PRODUCTION SYSTEM	6-1
<i>Performance Specifications</i>	<i>6-1</i>
<i>Limitations</i>	<i>6-2</i>
<i>System Dependencies and Prerequisites</i>	<i>6-2</i>
<i>Configuration Guide</i>	<i>6-3</i>
<i>Productivity Guide</i>	<i>6-3</i>
7. CUSTOMER AGREEMENT	7-5
<i>Devices</i>	<i>7-5</i>
<i>Primary Customer Applications</i>	<i>7-5</i>
<i>Special Considerations / Limitations</i>	<i>7-5</i>

---



## Introduction

---

This Solutions Planning Guide contains information on how to prepare for the installation of the C.P. Bourg Document Finisher (BDFx) together with:

- Xerox DocuTech® 61xx
- Xerox DocuTech® 1xx HighLight Color (HLC)
- Xerox DocuPrint® 1xx
- Xerox iGen3® Digital Production Press
- Xerox Nuvera™ 100 / 120 Digital Production System

This guide also contains information on the optional C.P. Bourg Cover Feeder (BCFx), SquareEdge Module (SQEDG) and C.P. Bourg Sheet Rotator (BSR).

### About this guide

---

This guide will provide the Analyst and the coordinating Customer with common BDFx specifications and specific pre-installation tasks for the Xerox printer (DocuTech 61xx, DocuTech 1xx HighLight Color (HLC), DocuPrint 1xx, Xerox iGen3 Digital Production Press and Nuvera™ 100 / 120 Digital Production System) to which the BDFx is to be installed with.

### Contents

---

This section lists the contents of this guide:

- Introduction - provides information about the use of this Guide.
- Product Overview– provides Installation Planning, including Space requirements, Floor Load and Level, Electrical and Environmental requirements, Installation Time and Operating Supplies.
- Xerox DocuTech (DT 61xx) – provides information about Limitations, System Dependencies, Configuration Guide and Unique Features Set.
- Xerox DocuTech (DT 1xx HighLight Color (HLC)) – provides information about Limitations, System Dependencies, Configuration Guide and Unique Features Set.
- Xerox DocuPrint (DP1xx) – provides information about Limitations, System Dependencies, Configuration Guide and Unique Features Set.
- Xerox iGen3 Digital Production Press – provides information about Limitations, System Dependencies, Configuration Guide and Unique Features Set
- Xerox Nuvera™ 100 / 120 Digital Production System – provides information about Limitations, System Dependencies, Configuration Guide and Unique Features Set.

- Customer Agreement – contains the Customer Agreement form.

# Introduction

---

This Solutions Planning Guide contains information on how to prepare for the installation of the C.P. Bourg Document Finisher (BDFx) together with:

- Xerox DocuTech® 61xx
- Xerox DocuTech® 1xx HighLight Color (HLC)
- Xerox DocuPrint® 1xx
- Xerox iGen3® Digital Production Press
- Xerox Nuvera™ 100 / 120 Digital Production System

This guide also contains information on the optional C.P. Bourg Cover Feeder (BCFx), SquareEdge Module (SQEDG) and C.P. Bourg Sheet Rotator (BSR).

## About this guide

---

This guide will provide the Analyst and the coordinating Customer with common BDFx specifications and specific pre-installation tasks for the Xerox printer (DocuTech 61xx, DocuTech 1xx HighLight Color (HLC), DocuPrint 1xx, Xerox iGen3 Digital Production Press and Nuvera™ 100 / 120 Digital Production System) to which the BDFx is to be installed with.

## Contents

---

This section lists the contents of this guide:

- Introduction - provides information about the use of this Guide.





## 1. Product Overview

---



The C.P. Bourg BDFx is a fully automated signature booklet maker, which produces high quality saddle stitched booklets in-line. The optional cover insertion module (BCFx) can feed preprinted cover stock up to 300 gsm excluding window cutouts (the BCFx is not available for iGen3).

The new Square Edge (SQEDG) Module option further expands its capability by offering an optional square edge spine.

The BDFx can top or corner stitch from 2 to 50 sheets and it can also be used in the fold only mode.

The Bourg Sheet Rotator (BSR) enables maximum small Booklet productivity on Xerox printers that are not equipped with an internal rotator. (Not shown.) The BSR is mandatory when the BDFx is installed with the iGen3® Digital Production Press.

## Install Planning

---

This Install Planning guide will help you prepare for the installation of the C.P Bourg Document Finisher (BDFx) together with:

- Xerox DocuTech® 61xx
- Xerox DocuTech® 1xx HighLight Color (HLC)
- Xerox DocuPrint® 1xx
- Xerox iGen3® Digital Production Press
- Xerox Nuvera™ 100 / 120 Digital Production System

## Device Configurations

---

The Bourg Document Finisher components are:

- BDFx with Conveyor and 2 Cassette Stitch Heads
- Bourg Cover Feeder X (BCFx), **optional (not available with iGen3)**
- Square Edge Module (SQEDG), **optional**
- Bourg Sheet Rotator (BSR), **optional (mandatory with iGen3)**
- Hohner or Cassette Stitch Heads (2 –4 heads total), **optional**

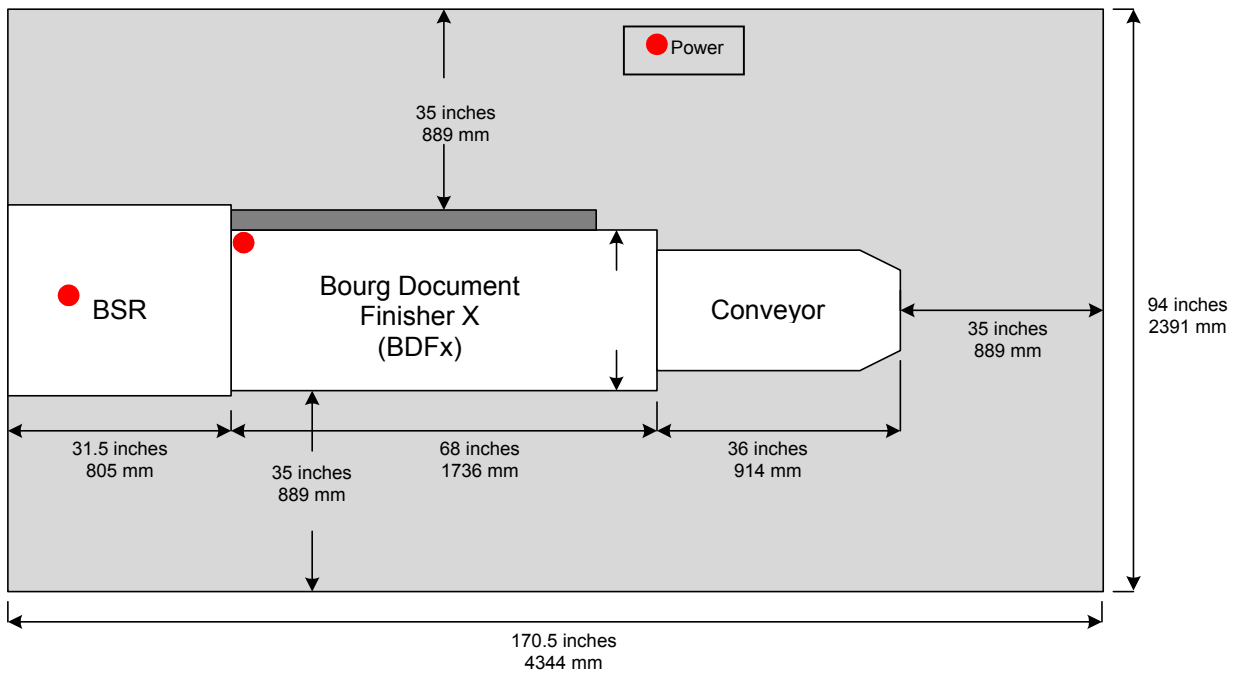
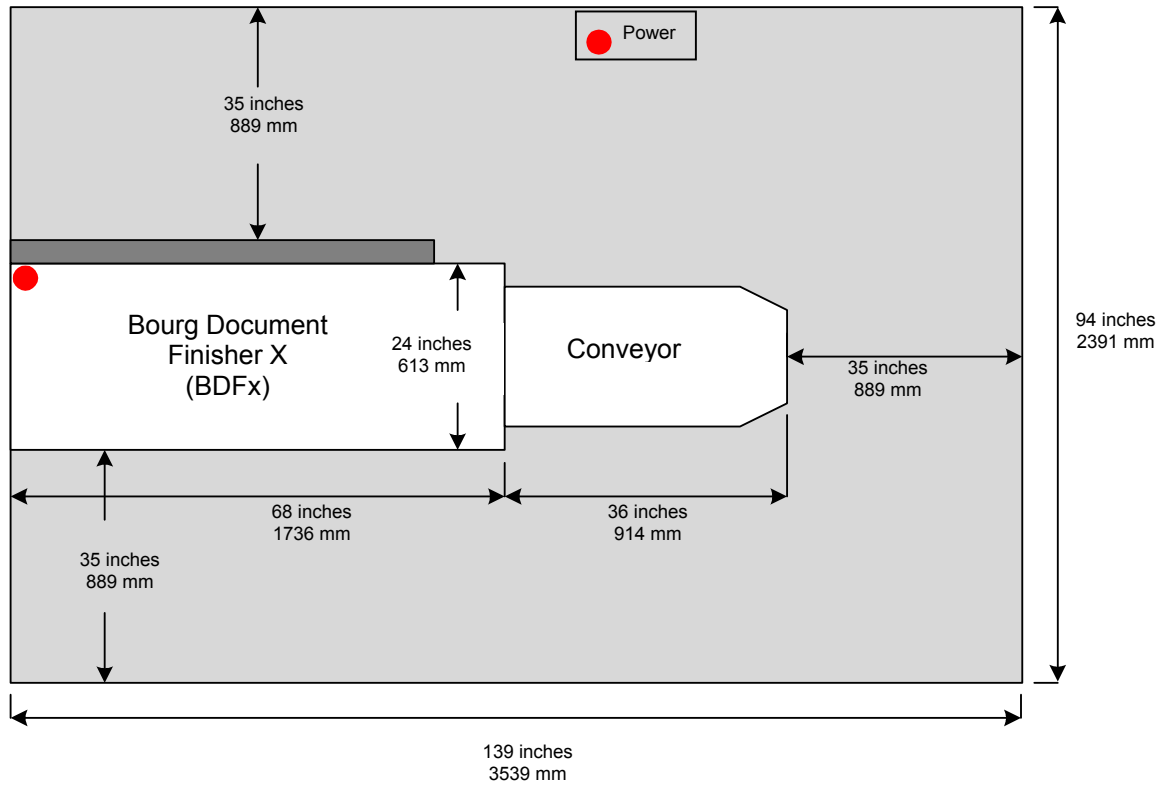
*Note: The BDFx is delivered with 2 stitch heads. A third and / or forth stitch head must be ordered and installed with the machine.*

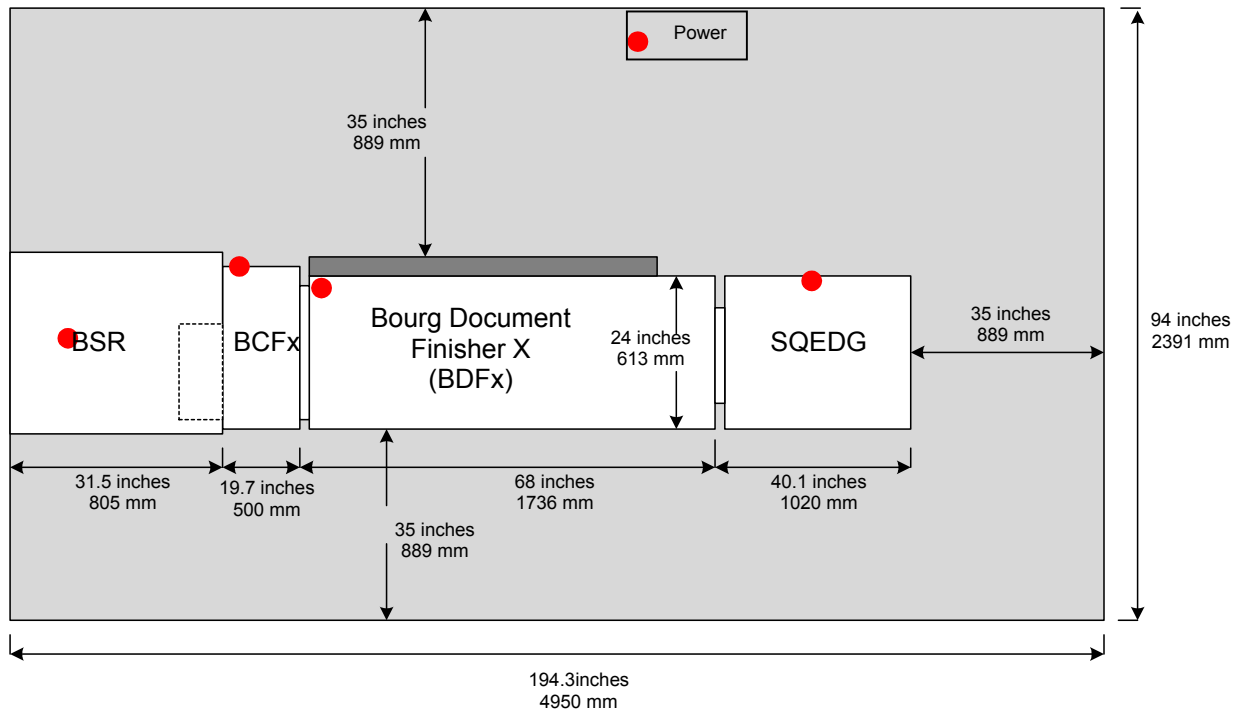
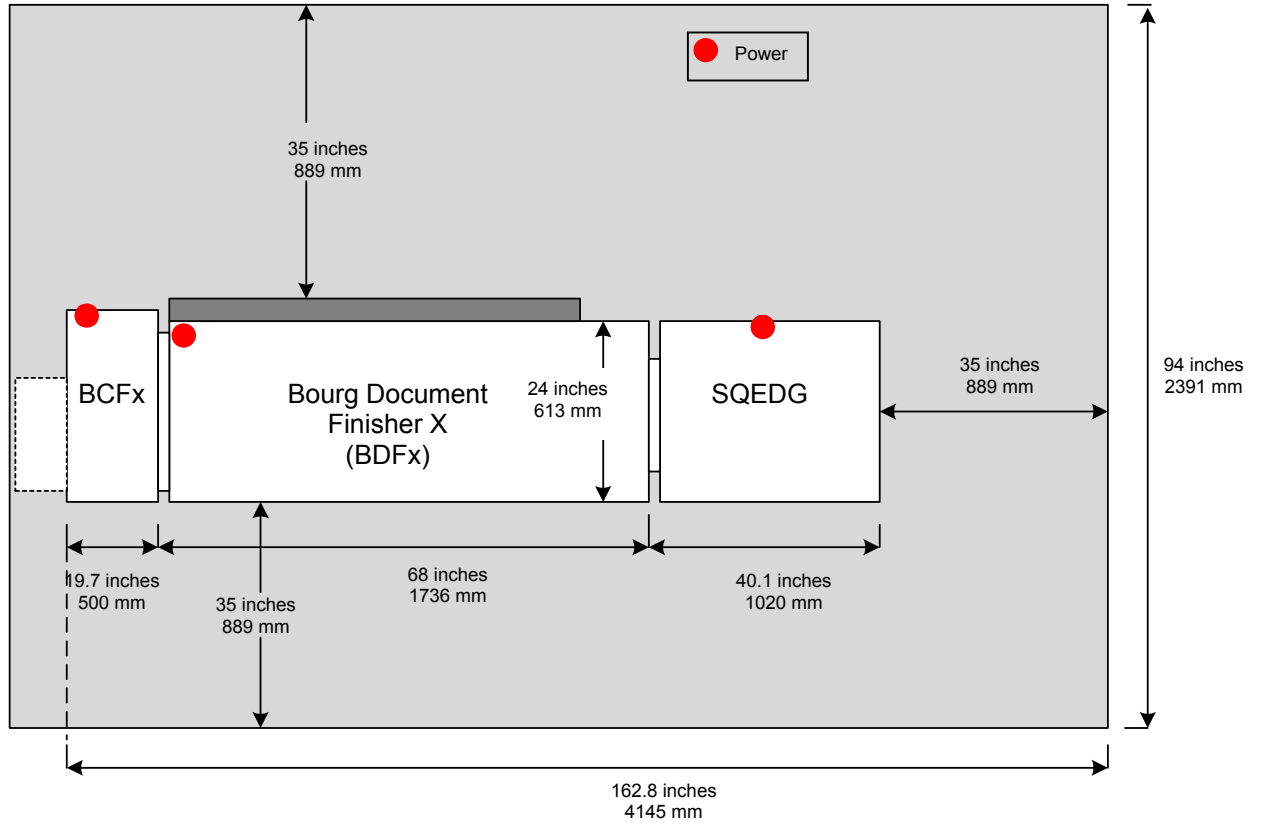
## Space Requirements

---

The space requirements illustration provides machine footprint as well as the overall operating and maintenance area.

In addition to the diagram below, there should be a minimum of 82 inches (2.083 mm) clearance from the floor to the nearest overhead obstruction.





*Note: The space requirements diagram for the BDFx and the optional devices are representations only and not drawn to scale.*

Dimensions	Bourg Document Finisher	Square Edge Module (optional)	Bourg Cover Feeder (optional)
<b>Width x Depth x Height</b>	104.3" * x 24" x 71" 2650 x 739 x 1803 mm * - Including Conveyor	40.1" x 24.25" x 49" 1020 x 616 x 1242 mm	26.75" * x 27" x 52" 680 x 687 x 1242 mm * - 19.7" (500 mm) actual floor space.
<b>Shipping Dimensions</b>	77" x 30" x 73"	47.2" x 35.8" x 63"	51" x 31.5" x 59"
<b>Width x Depth x Height</b>	1950 x 750 x 1850 mm	1200 x 910 x 1600 mm	1300 x 800 x 1500 mm
<b>Weight</b>	992 lbs (450 kg)	198 lbs (90 kg)	291 lbs (132 kg)
<b>Shipping Weight</b>	1235 lbs (560 kg)	507 lbs (230 kg)	264 lbs (120 kg)
<b>Operator Clearance</b>	Minimum 24" (609.6mm) in front of the device	Minimum 24" (609.6mm) in front of the device	Minimum 24" (609.6mm) in front of the device
<b>Service Clearance</b>	Minimum 35" on all sides of the device	Minimum 35" on all sides of the device	Minimum 35" on all sides of the device

Dimensions	Bourg Sheet Rotator (optional, mandatory with iGen3)
<b>Width x Depth x Height</b>	31.5" x 28.5" x 38.5" 805 mm x 720 mm x 980 mm
<b>Shipping Dimensions</b>	34.6" x 32.7" x 49.2"
<b>Width x Depth x Height</b>	880 mm x 830 mm x 1250 mm
<b>Weight</b>	298 lbs (135 kg)
<b>Shipping Weight</b>	353 lbs (160 kg)
<b>Operator Clearance</b>	Minimum 24" (609.6mm) in front of the device
<b>Service Clearance</b>	Minimum 30" (763 mm) on all sides of the device

## Electrical Requirements

Nema # for all the devices listed below: 5R-15

Device	North America	Europe
<b>BDF-X Power</b>	120 VAC (+/- 10%), 60 Hz, 10A	230 VAC (+/- 10%), 50 Hz, 7A
<b>BCF-X Power</b>	120 VAC (+/- 10%), 60 Hz, 5A	230 VAC (+/- 10%), 50 Hz, 3A
<b>SQEDG Power</b>	120 VAC (+/- 10%), 60 Hz, 5A	230 VAC (+/- 10%), 50 Hz, 3A

Device	North America	Europe
<b>BSR</b>	110VAC (+/- 10%), 60 Hz, 4A	220VAC, (+/- 10%), 50 Hz, 2A

*Note: For power cord locations on each device please refer to the space diagrams in the [Space Requirements](#) section.*

## Environmental Requirements

Environment	BDFx / BCFx / SQEDG
Temperature	41 - 85° F (5 - 29°C)
Humidity	50 - 85%
Heat Emission	BDFx: 2560 btu / hr BCFx: 1590 btu / hr SQEDG: 2400 btu / hr
Sound Emission	72 db
Altitude	-100 ft. (-31m) to 4,000 ft. (1,219 m)

Environment	BSR
Temperature	41 - 85° F (5 - 29°C)
Humidity	50 – 85%
Heat Emission	1,535 btu / hr
Sound Emission	55 db
Altitude	-100 – 4,000 ft (-31 – 1,219 m)

## Estimated Installation Time

C.P. Bourg installs the BDFx (including BCFx and SQEDG) and the estimated installation time is 4 – 8 hours.

Installation and customer training will require approximately 2 days total.

## Operating Supplies

Each Bourg Document Finisher is delivered with 2 stitch heads. The machine can be equipped with 1 or 2 additional stitch heads (any additional stitch heads must be ordered when the machine is ordered as this is not an upgrade that can be done in the field). There are no operating supplies for the BSR.

Supply No.	Description.	Quantity / Unit
9158017	Wire Cassette (Acme Stitch Heads)	50, 0000 stitches / cassette (2 cassettes / box)
9158018	Wire Spool (Hohner Stitch Heads)	50, 0000 stitches / spool

You can reach C.P. Bourg Customer Service using the following phone number:

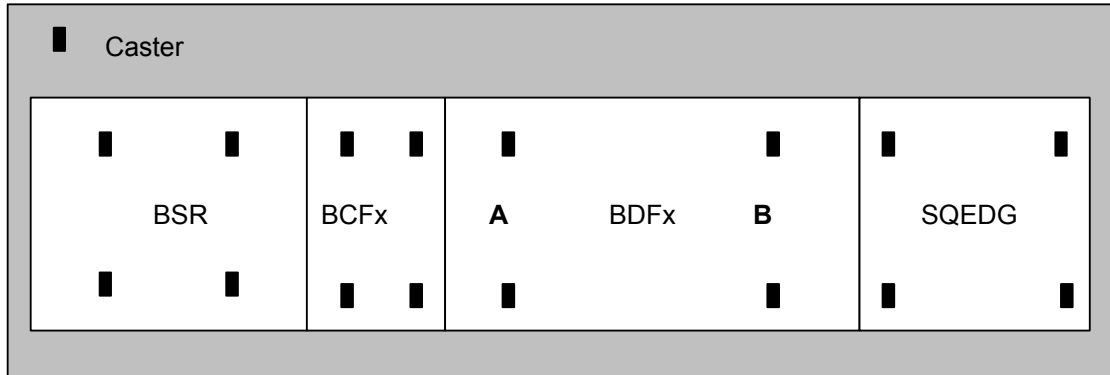
- United States and Canada: 1-508-998-2171

For Europe, please visit the C.P. Bourg web site and select your region:

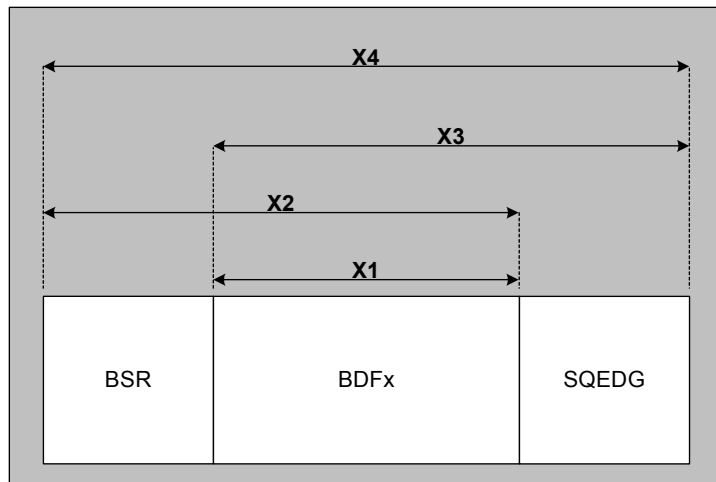
<http://www.cpbourg.com>

## Floor Load

Device	Uniform load	Point load
<b>BDFx</b>	68 lbs / sq.ft. (326 kg / sq. m)	<b>Casters A:</b> 4,840 lbs / sq.in. (340 kg / sq.cm) <b>Casters B:</b> 3,957 lbs / sq.in. (279 kg / sq.cm)
<b>BCFx</b>	30 lbs / sq.ft. (148 kg / sq. m)	<b>Casters:</b> 1,053 lbs / sq.in. (75 kg / sq.cm)
<b>SQEDG Module</b>	44 lbs / sq.ft. (212 kg / sq. m)	<b>Casters:</b> 2,680 lbs / sq.in. (190 kg / sq.cm)
<b>BSR</b>	48 lbs / sq.ft. (233 kg / sq. m)	<b>Casters:</b> 1,585 lbs / sq.in. (112 kg / sq.cm)



## Floor Level



Configuration	Measurement	Specification
	5 ft (1.52 m)	3/16 in./ ft (4.77 mm / m)
<b>X2</b>	7.75 ft (2.36 m)	1/8 in./ ft (3.175 mm / m)
<b>X3</b>	7.5 ft (2.28 m)	1/8 in./ ft (3.175 mm / m)
<b>X4</b>	10 ft (3.05 m)	3/32 in./ ft (2.4 mm / m)

*Note: The floor level is based on a printer paper exit height above the floor of 34" (860 mm) for DP1xx, DT1xx, iGen3 and 40.2" (1021 mm) for DT61xx and Nuvera.*

## Unique Features Set

---

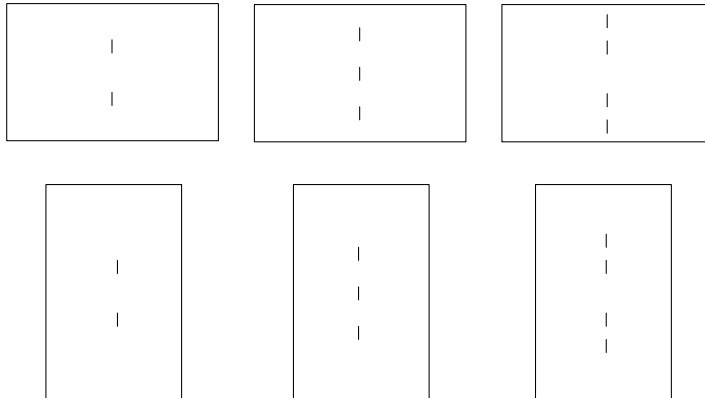
Listed below are diagrams of the various stitch positions that the BDF-X can produce.

*Note: The BDFx is delivered with 2 stitch heads. A third and fourth stitch head must be ordered and installed with the machine to enable the 3 and 4 stitch options shown in the diagrams below.*

For high volume machines, it is recommended to use the Hohner (Spool) Stitch Heads.

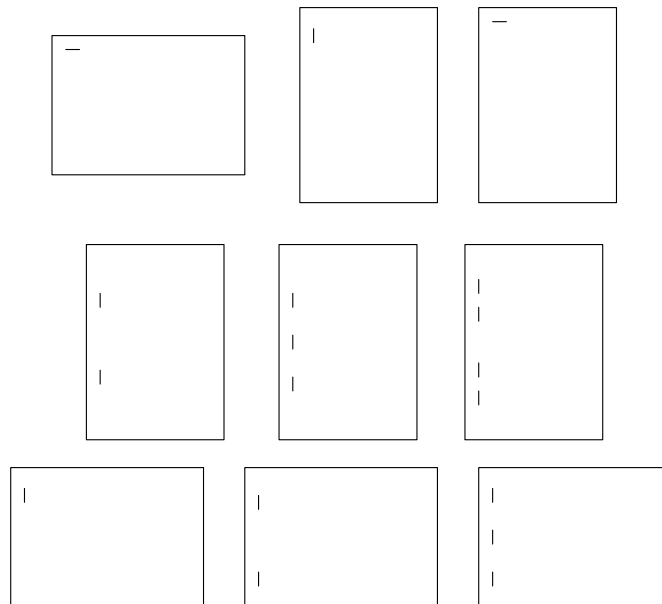
## Saddle Stitch

---



## Edge / Top / Corner Stitch

---





## 2. Xerox DocuTech® 61xx

### Performance Specifications (DT61xx)

Listed below are the Performance Specifications for the C.P. Bourg Document Finisher, Cover Feeder and SquareEdge Module.

Stapling / Folding	Specifications
Paper Type / Weight	<b>BDFx / SQEDG:</b> Uncoated Stock, 16 lbs Bond – 110 lbs Index (60 - 200 gsm) <b>BCFx:</b> Uncoated Cover Stock, 20 lbs Bond – 10 pt cover stock (80 – 300 gsm*) * - for all cover stocks, excluding window cutouts
Paper Size	<b>BDFx:</b> 8 x 10" – 14 x 17" (203 x 254 mm – 364 x 432 mm) <b>BDFx w / BCFx in bypass mode:</b> 8 x 10" – 12.25 x 17" (203 x 254 mm – 310 x 432 mm) <b>BDFx w / BCFx feeding covers:</b> 8 x 10" – 11.75 x 17" (203 x 254 mm – 298 x 432 mm)
Booklet Sizes	<b>BDFx:</b> 8 x 5" – 14 x 8.5" (203 x 127 mm – 364 x 216 mm) <b>BDFx w / BCFx in bypass mode:</b> 8 x 5" – 12.25 x 8.5" (203 x 127 mm – 310 x 216 mm) <b>BDFx w / BCFx feeding covers:</b> 8 x 5" – 11.75 x 8.5" (203 x 127 mm – 298 x 216 mm)
Edge Stapling	<b>BDFx:</b> 8 x 10 – 11.7 x 14 (203 x 254 mm – 298 x 356 mm) <b>BDFx w / BCFx:</b> 8 x 10 - 11.7 x 12.25 (203 x 254 mm – 298 x 310 mm)
Face Trim	0 – ¾" (0 – 19 mm)
Stitch Head	Two to four stitch heads (Hohner or Acme)
Sheet Capacity (Stitching)	<b>Edge / Top / Corner Stitching:</b> 2 – 50 sheets <b>Saddle Stitching:</b> 2 – 22 sheets (20 lb Bond / 80 gsm)
Input Height	34" (860 mm) and 40.2" (1021 mm)

### Performance Specifications (DT61xx with X SIS kit)

Stapling / Folding	Specifications
Paper Size	<b>BDFx:</b> 7 x 10" – 14 x 19.2" (178 x 254 mm – 364 x 488 mm) <b>BDFx w / BCFx in bypass mode:</b> 8 x 10" – 12.25 x 17" (203 x 254 mm – 364 x 432 mm) <b>BDFx w / BCFx feeding covers:</b> 8 x 10" – 11.75 x 17" (203 x 254 mm – 298 x 432 mm)
Booklet Sizes	<b>BDFx:</b> 8 x 5" – 14 x 8.5" (203 x 127 mm – 364 x 216 mm) <b>BDFx w / BCFx in bypass mode:</b> 8 x 5" – 12.25 x 8.5" (203 x 127 mm – 364 x 216 mm) <b>BDFx w / BCFx feeding covers:</b> 8 x 5" – 11.75 x 8.5" (203 x 127 mm – 298 x 216 mm)
Edge Stapling	<b>BDFx:</b> 8 x 10 – 11.7 x 14 (203 x 254 mm – 298 x 356 mm) <b>BDFx w / BCFx:</b> 8 x 10 - 11.7 x 12.25 (203 x 254 mm – 298 x 310 mm)
Face Trim	0 – ¾" (0 – 19 mm)

## Limitations

---

- The BDFx can only be guaranteed to work to its maximum book thickness when feeding (8.5 x 11 / A4) paper if the paperweight is 90 gsm or less. (Long grain paper with a weight above 90 gsm should be tested with the customer paper and application before selling the BDFx.)
- Use of short grain paper is highly recommended for 11 x 17" / A3 sized paper.

## System Dependencies and Prerequisites

---

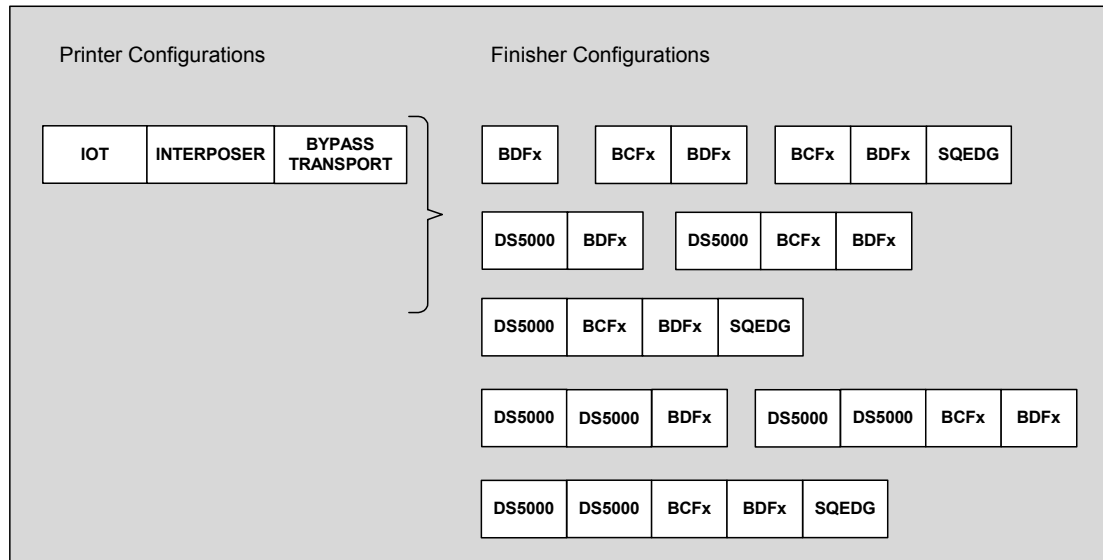
Listed below are the dependencies and prerequisites for installing the BDFx, BCFx and SQEDG module.

- The DT61xx must be equipped with a Bypass Transport to enable In-line Finishing.

## Configuration Guide

---

The Configuration Guide contains diagrams over the various Finishing Solutions that are currently supported.



## Productivity Guide

---

The calculated productivity for the BDFx is based on host machine running duplex job.

Set Size / 8.5 x 11" (A4)	1 sheet	2 sheets	3 sheets	4 sheets	5 sheets	10 sheets	15 sheets	22 sheets
Booklets / Hour	2700	2195	1538	1385	1037	523	338	239

Set Size / 11 x 17" (A3)	1 sheet	2 sheets	3 sheets	4 sheets	5 sheets	10 sheets	15 sheets	22 sheets
Booklets / Hour	1540	1179	675	588	451	237	153	108



### 3. Xerox DocuTech® 1xx HighLight Color (HLC)

#### Performance Specifications (DT1xx HLC)

Listed below are the Performance Specifications for the C.P. Bourg Document Finisher, Cover Feeder, SquareEdge Module and Sheet Rotator.

Stapling / Folding	Specifications
<b>Paper Type / Weight</b>	<b>BDFx / SQEDG:</b> Uncoated Stock, 16 lbs Bond – 110 lbs Index (60 - 200 gsm) <b>BCFx:</b> Uncoated Cover Stock, 20 lbs Bond – 10 pt cover stock (80 – 300 gsm*) * - for all cover stocks, excluding window cutouts
<b>Paper Size</b>	<b>BDFx:</b> 8 x 10" – 14 x 17" (203 x 254 mm – 364 x 432 mm) <b>BDFx w / BCFx in bypass mode:</b> 8 x 10" – 12.25 x 17" (203 x 254 mm – 310 x 432 mm) <b>BDFx w / BCFx feeding covers:</b> 8 x 10" – 11.75 x 17" (203 x 254 mm – 298 x 432 mm) <b>BDFx w / BSR in bypass mode:</b> 8.5 x 11" - 14 x 17" (216 x 279 mm - 356 x 431 mm) <b>BDFx w / BSR in rotate mode:</b> 8.5 x 11" - 9 x 14" (216 x 279 mm - 229 x 356 mm)
<b>Booklet Sizes</b>	<b>BDFx:</b> 8 x 5" – 14 x 8.5" (203 x 127 mm – 364 x 216 mm) <b>BDFx w / BCFx in bypass mode:</b> 8 x 5" – 12.25 x 8.5" (203 x 127 mm – 310 x 216 mm) <b>BDFx w / BCFx feeding covers:</b> 8 x 5" – 11.75 x 8.5" (203 x 127 mm – 298 x 216 mm) <b>BDFx w / BSR in bypass mode:</b> 8.5 x 5.5" - 14 x 8.5" (216 x 140 mm - 356 x 216 mm) <b>BDFx w / BSR in rotate mode:</b> 8.5 x 5.5" - 9 x 7" (216 x 140 mm - 229 x 178 mm)
<b>Edge Stapling</b>	<b>BDFx:</b> 8 x 10 – 11.7 x 14 (203 x 254 mm – 298 x 356 mm) <b>BDFx w / BCFx:</b> 8 x 10 - 11.7 x 12.25 (203 x 254 mm – 298 x 310 mm)
<b>Face Trim</b>	0 – ¾" (0 – 19 mm)
<b>Stitch Head</b>	Two to four stitch heads (Hohner or Acme)
<b>Sheet Capacity (Stitching)</b>	<b>Edge / Top / Corner Stitching:</b> 2 – 50 sheets <b>Saddle Stitching:</b> 2 – 22 sheets (20 lb Bond / 80 gsm)
<b>Input Height</b>	34" (860 mm) and 40.2" (1021 mm)

Rotating / Bypass	Specifications / Limitations
<b>Paper Size (Rotating)</b>	Maximum: 9" x 14" LEF (228 x 356 mm) Minimum: 8" x 10" LEF (203 x 254 mm)
<b>Paper Size (Pass through)</b>	Maximum: 14" x 18.5" SEF (356 x 470 mm) Minimum: 8" x 10" SEF (203 x 254 mm)
<b>Paper Weight</b>	16 lbs – 110 lbs (60 - 200 gsm)
<b>Input Height</b>	34" (860 mm)
<b>Output Height</b>	34" (860 mm)

## Limitations

---

- Due to the height of the bypass transport on DocuTech 1xx HLC it is not possible to attach the BCFx without the BSR.
- Requires a minimum of 2 skipped pitches (3 skipped pitches with BCF), which results in low productivity with small booklets. (A3/ 11 x 17 requires only one skipped pitch with or without the BCF.)
- The BDFx can only be guaranteed to work to its maximum book thickness when feeding (8.5 x 11 / A4) paper if the paperweight is 90 gsm or less. (Long grain paper with a weight above 90 gsm should be tested with the customer paper and application before selling the BDFx.)
- Use of short grain paper is highly recommended for 11 x 17" / A3 sized paper.

## System Dependencies and Prerequisites

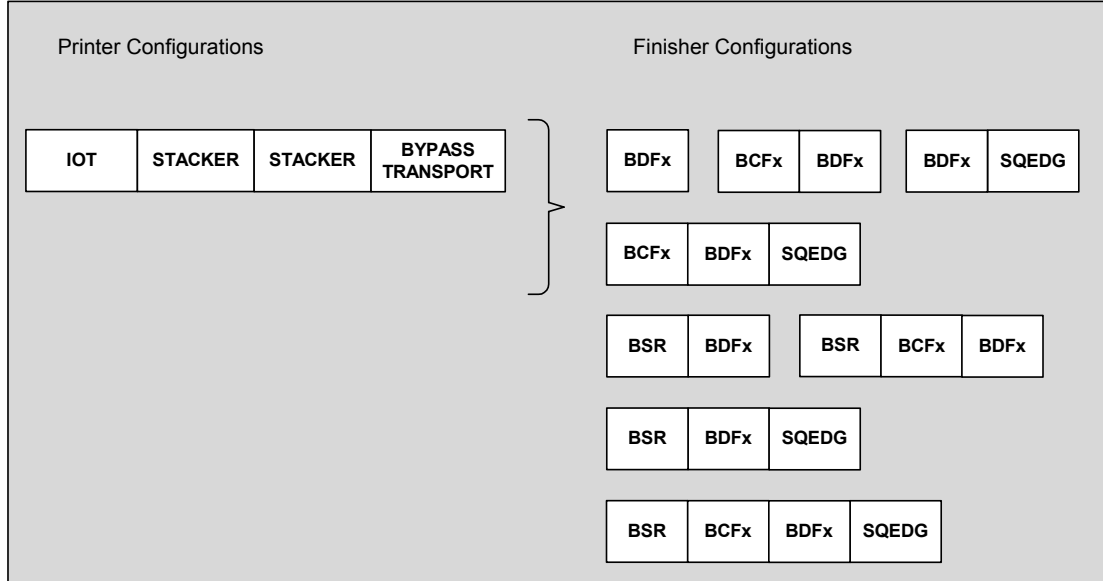
---

Listed below are the dependencies and prerequisites for installing the BDFx, BCFx and SQEDG module.

- The printer must be equipped with a Bypass Transport to enable In-line Finishing.
- It is highly recommended that the printer is equipped with a Bourg Sheet Rotator (BSR) to maximize output.
- Due to the height of the bypass transport on DocuTech 1xx HLC it is not possible to attach the BCFx without the BSR.
- Requires a minimum of 2 skipped pitches (3 skipped pitches with BCF), which results in low productivity with small booklets. (A3/ 11 x 17 requires only one skipped pitch with or without the BCF.)

## Configuration Guide

The Configuration Guide contains diagrams over the various Finishing Solutions that are currently supported.



## Productivity Guide

The calculated productivity for the BDFx is based on host machine running duplex job.

Set Size / 8.5 x 11" (A4) without BCFx	1 sheet	2 sheets	3 sheets	4 sheets	5 sheets	10 sheets	15 sheets	22 sheets
Booklets / Hour	1800	1384	1090	900	782	450	320	231

Set Size / 8.5 x 11" (A4) with BCFx	1 sheet	2 sheets	3 sheets	4 sheets	5 sheets	10 sheets	15 sheets	22 sheets
Booklets / Hour	1384	1090	900	782	681	420	303	218





## 4. Xerox DocuPrint® 1xx

### Performance Specifications (DP180)

Listed below are the Performance Specifications for the C.P. Bourg Document Finisher, Cover Feeder, SquareEdge Module and Sheet Rotator.

Stapling / Folding	Specifications
<b>Paper Type / Weight</b>	<b>BDFx / SQEDG:</b> Uncoated Stock, 16 lbs Bond – 110 lbs Index (60 - 200 gsm) <b>BCFx:</b> Uncoated Cover Stock, 20 lbs Bond – 10 pt cover stock (80 – 300 gsm*) * - for all cover stocks, excluding window cutouts
<b>Paper Size</b>	<b>BDFx:</b> 8.5 x 11" – 14 x 17" (216 x 279 mm – 356 x 432 mm) <b>BDFx w / BCFx in bypass mode:</b> 8.5 x 11" – 12.25 x 17" (216 x 279 mm – 310 x 432 mm) <b>BDFx w / BCFx feeding covers:</b> 8.5 x 11" – 11.75 x 17" (216 x 279 mm – 298 x 432 mm) <b>BDFx w / BSR in bypass mode:</b> 8.5 x 11" - 14 x 17" (216 x 279 mm - 356 x 431 mm) <b>BDFx w / BSR in rotate mode:</b> 8.5 x 11" - 9 x 14" (216 x 279 mm - 229 x 356 mm)
<b>Booklet Sizes</b>	<b>BDFx:</b> 8.5 x 5.5" – 14 x 8.5" (216 x 140 mm – 356 x 216 mm) <b>BDFx w / BCFx in bypass mode:</b> 8.5 x 5.5" – 12.25 x 8.5" (216 x 140 mm – 310 x 216 mm) <b>BDFx w / BCFx feeding covers:</b> 8.5 x 5.5" – 11.75 x 8.5" (216 x 140 mm – 298 x 216 mm) <b>BDFx w / BSR in bypass mode:</b> 8.5 x 5.5" - 14 x 8.5" (216 x 140 mm - 356 x 216 mm) <b>BDFx w / BSR in rotate mode:</b> 8.5 x 5.5" - 9 x 7" (216 x 140 mm - 229 x 178 mm)
<b>Edge Stapling</b>	<b>BDFx:</b> 8 x 10 – 11.7 x 14" (203 x 254 mm – 297 x 356 mm) <b>BDFx w / BCFx:</b> 8 x 10 - 11.7 x 12.25 (203 x 254 mm – 298 x 310 mm)
<b>Face Trim</b>	0 – ¾" (0 – 19 mm)
<b>Stitch Head</b>	Two to four stitch heads (Hohner or Acme)
<b>Sheet Capacity (Stitching)</b>	<b>Edge / Top / Corner Stitching:</b> 2 – 50 sheets <b>Saddle Stitching:</b> 2 – 22 sheets (20 lb Bond / 80 gsm)
<b>Input Height</b>	34" (860 mm) and 40.2" (1021 mm)

## Performance Specifications (DP180 with X SIS kit)

Stapling / Folding	Specifications
<b>Paper Size</b>	<b>BDFx:</b> 7 x 10" – 14 x 18.5" (178 x 254 mm – 356 x 470 mm) <b>BDFx w / BCFx in bypass mode:</b> 8 x 10" – 12.25 x 18.5" (203 x 254 mm – 310 x 470 mm) <b>BDFx w / BCFx feeding covers:</b> 8 x 10" – 11.75 x 17" (203 x 254 mm – 298 x 432 mm) <b>BDFx w / BSR in bypass mode:</b> 8 x 10" - 14 x 18.5" (203 x 254 mm - 356 x 470 mm) <b>BDFx w / BSR in rotate mode:</b> 8 x 10" - 9 x 14" (203 x 254 mm - 229 x 356 mm)
<b>Booklet Sizes</b>	<b>BDFx:</b> 7 x 5" – 14 x 9.25" (178 x 127 mm – 356 x 235 mm) <b>BDFx w / BCFx in bypass mode:</b> 8 x 5" – 12.25 x 9.25" (203 x 127 mm – 310 x 235 mm) <b>BDFx w / BCFx feeding covers:</b> 8 x 5" – 11.75 x 8.5" (203 x 127 mm – 298 x 216 mm) <b>BDFx w / BSR in bypass mode:</b> 8 x 5" - 14 x 9.25" (203 x 127 mm - 356 x 235 mm) <b>BDFx w / BSR in rotate mode:</b> 8 x 5" - 9 x 7" (203 x 127 mm - 229 x 178 mm)
<b>Edge Stapling</b>	<b>BDFx:</b> 8 x 10 – 11.7 x 14 (203 x 254 mm – 298 x 356 mm) <b>BDFx w / BCFx:</b> 8 x 10 - 11.7 x 12.25 (203 x 254 mm – 298 x 310 mm)
<b>Face Trim</b>	0 – ¾" (0 – 19 mm)

Rotating / Bypass	Specifications / Limitations
<b>Paper Size (Rotating)</b>	Maximum: 9" x 14" LEF (228 x 356 mm) Minimum: 8" x 10" LEF (203 x 254 mm)
<b>Paper Size (Pass through)</b>	Maximum: 14" x 18.5" SEF (356 x 470 mm) Minimum: 8" x 10" SEF (203 x 254 mm)
<b>Paper Weight</b>	16 lbs – 110 lbs (60 - 200 gsm)
<b>Input Height</b>	34" (860 mm)
<b>Output Height</b>	34" (860 mm)

## Limitations

- Due to the height of the bypass transport on DocuPrint it is not possible to attach the BCFx without the BSR.
- Requires a minimum of 2 skipped pitches (3 skipped pitches with BCF), which results in low productivity with small booklets. (A3/ 11 x 17 requires only one skipped pitch with or without the BCF.)
- The BDFx can only be guaranteed to work to its maximum book thickness when feeding (8.5 x 11 / A4) paper if the paperweight is 90 gsm or less. (Long grain paper with a weight above 90 gsm should be tested with the customer paper and application before selling the BDFx.)
- Use of short grain paper is highly recommended for 11 x 17" / A3 sized paper.

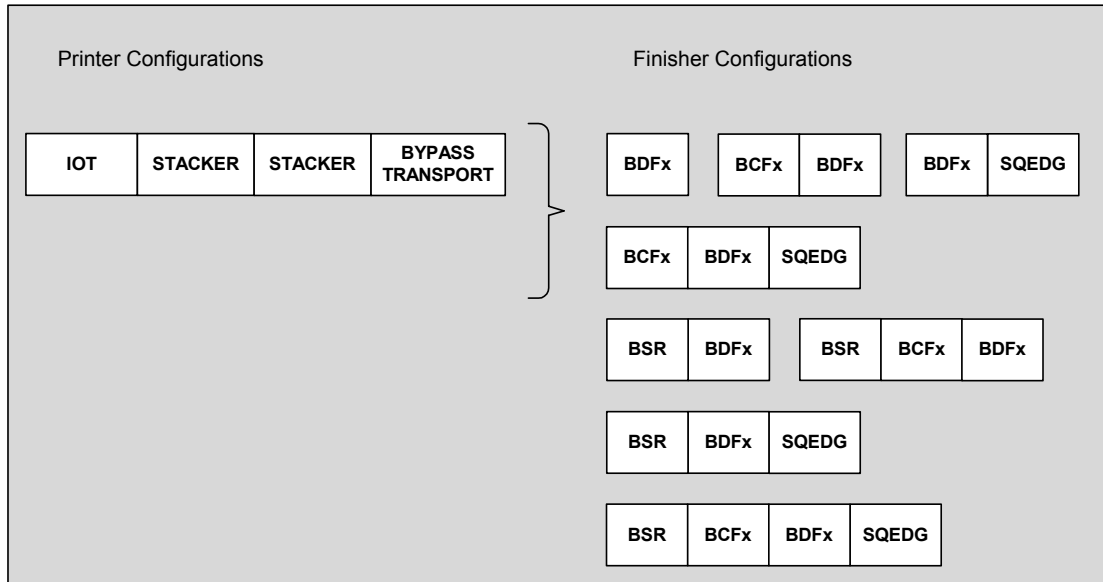
## System Dependencies and Prerequisites

Listed below are the dependencies and prerequisites for installing the BDFx, BCFx and SQEDG module.

- The printer must be equipped with a Bypass Transport to enable In-line Finishing.
- It is highly recommended that the printer is equipped with a Bourg Sheet Rotator (BSR) to maximize output.
- Due to the height of the bypass transport on DocuPrint it is not possible to attach the BCFx without the BSR.
- Requires a minimum of 2 skipped pitches (3 skipped pitches with BCF), which results in low productivity with small booklets. (A3/ 11 x 17 requires only one skipped pitch with or without the BCF.)

## Configuration Guide

The Configuration Guide contains diagrams over the various Finishing Solutions that are currently supported.



## Productivity Guide

---

The calculated productivity for the BDFx is based on host machine running duplex job.

Set Size / 8.5 x 11" (A4) without BCFx	1 sheet	2 sheets	3 sheets	4 sheets	5 sheets	10 sheets	15 sheets	22 sheets
Booklets / Hour	1800	1384	1090	900	782	450	320	231

Set Size / 8.5 x 11" (A4) with BCFx	1 sheet	2 sheets	3 sheets	4 sheets	5 sheets	10 sheets	15 sheets	22 sheets
Booklets / Hour	1384	1090	900	782	681	420	303	218

## 5. Xerox iGen3® Digital Production Press

### Performance Specifications

Listed below are the Performance Specifications for the C.P. Bourg Document Finisher, Cover Feeder, SquareEdge Module and Sheet Rotator.

*Note: For specific information on the BDFx together with the Xerox Book Factory, please refer to the Xerox Book Factory SPG.*

Stapling / Folding	Specifications
Paper Type / Weight	BDFx / SQEDG: Uncoated Stock, 16 lbs Bond – 110 lbs Index (60 - 200 gsm)
Paper Size	BDFx w / BSR in bypass mode: 8 x 10" - 14" x 18.5" SEF" (203 x 254 mm - 356 x 470 mm) BDFx w / BSR in rotate mode: 8" x 10" LEF - 9" x 14" LEF (203 x 254 mm - 228 x 356 mm)
Booklet Sizes	BDFx w / BSR in bypass mode: 8 x 5" - 14 x 9.25" (203 x 127 mm - 356 x 235 mm) BDFx w / BSR in rotate mode: 8 x 5" - 9 x 7" (203 x 127 mm - 228 x 178 mm)
Edge Stapling	BDFx w / BSR: 8 x 10" – 11.7 x 14" (203 x 254 mm – 297 x 356 mm)
Face Trim	0 – ¾" (0 – 19 mm)
Stitch Head	Two to four stitch heads (Hohner or Acme)
Sheet Capacity (Stitching)	Edge / Top / Corner Stitching: 2 – 50 sheets Saddle Stitching: 2 – 22 sheets (20 lb Bond / 80 gsm)
Input Height	34" (860 mm) and 40.2" (1021 mm)

*Note: For more information on the BSR, please refer to the C.P. Bourg Sheet Rotator Solutions Planning Guide.*

Rotating / Bypass	Specifications / Limitations
Paper Size (Rotating)	Maximum: 9" x 14" LEF (228 x 356 mm) Minimum: 8" x 10" LEF (203 x 254 mm)
Paper Size (Pass through)	Maximum: 14" x 18.5" SEF (356 x 470 mm) Minimum: 8" x 10" SEF (203 x 254 mm)
Paper Weight	16 lbs – 110 lbs (60 - 200 gsm)
Input Height	34" (860 mm)
Output Height	34" (860 mm)

## Limitations

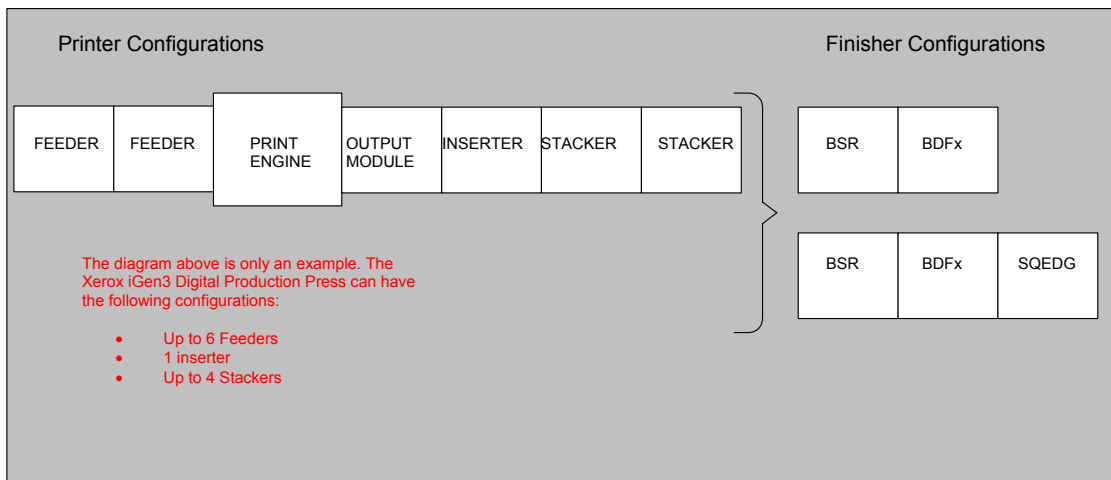
- The BDFx can only be guaranteed to work to its maximum book thickness when feeding (8.5 x 11 / A4) paper if the paperweight is 90 gsm or less. (Long grain paper with a weight above 90 gsm should be tested with the customer paper and application before selling the BDFx.)
- Use of short grain paper is highly recommended for 11 x 17" / A3 sized paper.
- The BCFx is not an available option together with the iGen3.
- The Cover Page of the booklet must be sent as the last page in the set.

## System Dependencies and Prerequisites

- If installing a new Book Factory on an existing iGen3 installation, a Xerox iGen3 Finishing Interface kit (product code UYR) must be ordered.
- The BSR is mandatory when a BDFx is installed inline with iGen3. (The BSR is equipped with an enhanced static elimination transport (Tag 21) that greatly reduces static on papers delivered from the iGen3).
- Transition of an existing BSR to an iGen3 is not possible unless Tag 21 is already installed.

## Configuration Guide

The Configuration Guide contains diagrams over the various Finishing Solutions that are currently supported.



## Productivity Guide

---

The calculated productivity for the BDFx is based on host machine running duplex job.

Set Size / 8.5 x 11" (A4)	1 sheet	2 sheets	3 sheets	4 sheets	5 sheets	10 sheets	15 sheets	22 sheets
Booklets / Hour	1500	1000	750	600	500	272	188	130

Set Size / 11 x 17" (A3, SRA3)	1 sheet	2 sheets	3 sheets	4 sheets	5 sheets	10 sheets	15 sheets	22 sheets
Booklets / Hour	750	500	375	300	250	136	94	65





## 6. Xerox Nuvera™ 100 / 120 Digital Production System

### Performance Specifications

Listed below are the Performance Specifications for the C.P. Bourg Document Finisher, Cover Feeder, SquareEdge Module and Sheet Rotator.

Stapling / Folding	Specifications
Paper Type / Weight	<p><b>BDFx / SQEDG:</b> Uncoated Stock, 16 lbs Bond – 110 lbs Index (60 - 200 gsm)                      Uncoated Cover Sheet: Uncoated 20lb - 10 pt cover (80 - 300gsm)</p> <p><b>BCFx:</b> Uncoated Cover Stock, 20 lbs Bond – 10 pt cover stock (80 – 300 gsm*)</p> <p>* - for all cover stocks, excluding window cutouts</p>
Paper Size	<p><b>BDFx / SQEDG:</b> 5.5 x 8.5" – 12.6 x 18.5" (140 x 216 mm – 320 x 470 mm)</p> <p><b>BDFx w / BCFx in bypass mode:</b> 8 x 8" – 12.25 x 17" (203 x 203 mm – 310 x 432 mm)</p> <p><b>BDFx w / BCFx feeding covers:</b> 8 x 8" – 11.75 x 17" (203 x 203 mm – 298 x 432 mm)</p>
Booklet Sizes	<p><b>BDFx:</b> 5.5 x 4.25" – 12.6 x 9.25" (140 x 108 mm – 320 x 235 mm)</p> <p><b>BDFx w / BCFx in bypass mode:</b> 8 x 4" – 12.25 x 8.5" (203 x 101 mm – 310 x 216 mm)</p> <p><b>BDFx w / BCFx feeding covers:</b> 8 x 4" – 11.75 x 8.5" (203 x 101 mm – 298 x 216 mm)</p>
Edge Stapling	<p><b>BDFx / SQEDG:</b> 5.5 x 8.25" – 11.7 x 14" (140 x 210 mm – 297 x 356 mm)</p> <p><b>With BCFx:</b> 8 x 10" (SEF) – 11.7 x 12.25" (LEF) (203 x 254 mm – 297 x 310 mm)</p> <p>8 x 10" – 11.7 x 14" (203 x 254 mm – 297 x 356 mm)</p>
Face Trim	0 – ¾" (0 – 19 mm)
Stitch Head	Two to four stitch heads (Hohner or Acme)
Sheet Capacity (Stitching)	<p><b>Edge / Top / Corner Stitching:</b> 2 – 50 sheets</p> <p><b>Saddle Stitching:</b> 2 – 22 sheets (20 lb Bond / 80 gsm)</p>
Input Height	34" (860 mm) and 40.2" (1021 mm)

## Limitations

---

- A Finisher Transport Module is required for in-line connectivity to the printer.
- A slight Cover Feeder feed mechanism adjustment may be necessary when changing cover weights (lightweight stocks may require a more precise adjustment).
- For 11" x 17" / A3 simplex single fold only documents, paper weight greater than 20 lb (80 gsm) are recommended.
- For 8.5" x 11" / A4 simplex single fold only documents, the **N-1 face up** orientation is required.
- Currently coated stock is not recommended.
- The BDFx can only be guaranteed to work to its maximum book thickness when feeding (8.5 x 11 / A4) paper if the paperweight is 90 gsm or less. (Long grain paper with a weight above 90 gsm should be tested with the customer paper and application before selling the BDFx.)
- Use of short grain paper is highly recommended for 11 x 17" / A3 sized paper.

## System Dependencies and Prerequisites

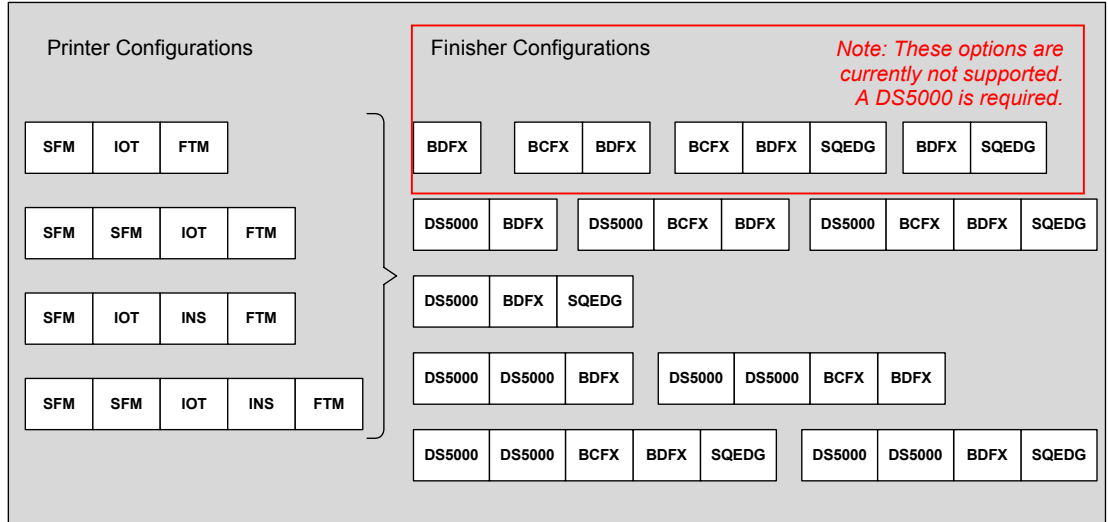
---

- The Finisher Transport Module is required for in-line connectivity to the printer.
- Currently, a Xerox Document Stacker 5000 must be installed in-line with the printer and the BDFx.
- If there is a transition of an existing BCFx to a Nuvera Digital Production System, an upgrade is needed.

*Note: In case the floor at the customer site is very uneven, it is recommended that the Nuvera IOT is installed and leveled with a Caster Leveling Kit (kit number 498K07900).*

## Configuration Guide

The Configuration Guide contains diagrams over the various Finishing Solutions that are currently supported.



## Productivity Guide

The calculated productivity for the BDFx is based on host machine running duplex job.

Set Size / 8.5 x 11" (A4)	1 sheet	2 sheets	3 sheets	4 sheets	5 sheets	10 sheets	15 sheets	22 sheets
Booklets / Hour	1000	781	727	724	656	329	220	148

Set Size / 11 x 17" (A3)	1 sheet	2 sheets	3 sheets	4 sheets	5 sheets	10 sheets	15 sheets	22 sheets
Booklets / Hour	867	727	610	409	333	176	123	82



## 7. Customer Agreement

---

As a final step in the install planning you must complete the Customer Agreement form.

### Devices

---

Check off the modules that will be part of this install:

- C.P. Bourg Document Finisher \_\_\_\_\_
- C.P. Bourg Cover Feeder (optional, not with iGen3) \_\_\_\_\_
- C.P. Bourg Square Edge Module (optional) \_\_\_\_\_
- Xerox DocuTech Bypass Transport \_\_\_\_\_
- Xerox DocuPrint Bypass Transport \_\_\_\_\_
- C.P. Bourg Sheet Rotator \_\_\_\_\_
- Xerox iGen3 Finishing Interface kit \_\_\_\_\_

### Primary Customer Applications

---

Record the primary customer applications:

---

---

### Special Considerations / Limitations

---

Record any special considerations and / or limitations identified by Xerox and agreed to by the customer:

---

---

I have reviewed the solution expectations and understand the specifications and limitations for each of the modules that will be installed: (**Signature and Date**)

**Customer** \_\_\_\_\_

**Xerox Sales Representative** \_\_\_\_\_

**Xerox Analyst Representative** \_\_\_\_\_

**Xerox Service Representative** \_\_\_\_\_

**C.P Bourg Representative** \_\_\_\_\_

For installations made in the US and Canada, a copy of the signed Customer Agreement must be:

- A) Attached to the XOA / Customer purchase order and faxed to SPA: 1-800 –407-8430.
- B) Scanned and emailed to [Phil.Schmelzlen@xerox.com](mailto:Phil.Schmelzlen@xerox.com), or faxed to Phil Schmelzlen (585) 427-3140 (8\*227-3140).

