

THE DOCUMENT COMPANY

XEROX[®]

**Xerox Wide Format 721P
Printer
Operator Manual**

701P39415 Revised May 2004



Table of contents

Safety Notes	v
EMC Notices	vii
Australia/New Zealand	vii
European Union	vii
Canada	vii
Japan	viii
USA	viii
1. Introduction	1
Organization And Content Of This Manual	1
Terminology Used In This Manual	2
Conventions Used In This Manual	3
2. Specification	5
Product Specifications	5
Media Specifications	6
Room Space Requirements	7
Serial Number Location	7
3. Printer Overview	9
Printer Orientation	9
Main Components	10
Operator Panel & Status Display	13
Media and Toner Status Panel	14
Online/Offline	15
Job Cancel	16
4. Media	17
Adding Media Rolls	17
Loading The Roll Media (Roll 1, 2 & 3)	18
Loading The Roll Media (Roll 4)	20
Loading The Roll Media When Printing	22
Dehumidifier	23
Using Manual Bypass Feed	24
5. Care	25
When The Toner Cartridge Needs Replacement	25
Replacing The Toner Cartridge	26
Cleaning The Charge Scorotron Wire	28
Cleaning The LED Print Head	29
Cleaning The Printer Surface	30
Ordering supplies	31
Supply order list	31
Supply order procedure	31
6. Problem Solving	33
Media Jams	33
Clearing Media Jam (J-01 & J-02)	34
Clearing Media Jam (J-03)	36
Clearing Media Jam (J-04)	38
Clearing Media Jam (J-05)	40
Clearing Media Jam (J-11 & J-12)	41
Clearing Media Jam (J-13 & J-14)	43
Clearing Media Jam (J-22)	44
Error Codes	45
Printer Errors (E-XX)	45
Door Open Errors (U-XX)	46
Thumping Noise in Standby	46
Image Quality Problem Solving	47

7.	User Modes	49
	User Mode 1 (Test Print) "U1"	49
	User Mode 2 (Date and Time setting) "U2"	51
	User Mode 3 (Low Power Saver Mode) "U3"	53
	User Mode 4 (High Power Saver Mode) "U4"	55
	User Mode 5 (Media Cut At Power ON) "U5"	57
	User Mode 6 (Detack Lamp Control Mode) "U6"	58
	User Mode 7 (Attention Beeper Enable Mode) "U7"	59
	User Mode 8 (Custom Setting Plain Paper) "U8"	60
	User Mode 9 (Custom Setting Vellum/Tracing Paper) "U9"	61
	User Mode A (Custom Setting Film) "UA"	62
	User Mode b (Image Enhancement) "Ub"	63

Safety Notes

Your Xerox Wide Format 721P Engineering Printer has been designed and tested to meet strict safety requirements. These include safety agency examination and approval and compliance to established environmental standards.

Please read the following instructions carefully before operating the Xerox Wide Format 721P Engineering Printer and refer to them as needed to ensure the continued safe operation of the product.

Follow all warnings and instructions marked on or supplied with the product.

Unplug the printer from the wall outlet before cleaning the exterior. Always use materials specifically designated for the Xerox Wide Format 721P Engineering Printer. Use of other materials may result in poor performance and could create a hazardous situation.

Do not use aerosol cleaners. Follow the instructions in this operator manual for the proper cleaning methods.

Never use supplies or cleaning materials for purposes other than what they were intended. Keep all supplies and materials out of the reach of children.

Do not use this product near water, wet locations, or outdoors.

This product is equipped with a three-wire, grounding-type plug (i.e., a plug having a grounding pin). This plug will only fit into a grounding-type power outlet. This is a safety feature. To avoid the risk of electric shock, contact your electrician to replace the receptacle if you are unable to insert the plug into the outlet.

Never use a ground adapter plug to connect the printer to a power source that lacks a ground connection terminal.

This product should be operated from the type of power source indicated on the marking label. If you are not sure of the type of power available, consult your local power company.

The power supply cord is the disconnect device for this equipment. Make sure that the installation is near the socket outlet and is easily accessible.

Do not allow anything to rest on the power cord. Do not locate the printer where someone will step on the cord.

Slots and openings in the cabinet and in the back and bottom of the printer are provided for ventilation. To ensure reliable operation of the printer and to protect it from overheating, these openings should never be placed near a radiator or heat register. The printer should not be placed in a built-in installation unless proper ventilation is provided.

Never push objects of any kind into the slots of the printer as they may touch dangerous voltage points or short out parts that could result in a risk of fire or electric shock.

Never spill liquid of any kind on the printer.

Never remove any covers or guards that require a tool for removal. There are no operator serviceable areas within these covers.

Never attempt any maintenance function that is not specified in this operator manual.

Never defeat interlock switches. Machines are designed to prevent operator access to unsafe areas. Covers, guards, and interlock switches are provided to ensure that the system will not operate with the covers opened.

Unplug the printer from the wall outlet and refer servicing to qualified service personnel under the following conditions:

When the power cord is damaged or frayed.

If liquid has been spilled into the product.

If the printer has been exposed to rain or water.

If the printer is producing unusual noises or odors.

If the printer or the cabinet has been damaged.

Product Recycling and Disposal

Xerox operates a worldwide equipment take-back and reuse/recycle program. Contact your Xerox sales representative (1-800-ASK-XEROX) to determine whether this Xerox product is part of the program. For more information about Xerox environmental programs, visit www.xerox.com/environment.

If you are managing the disposal of your Xerox product, please note that the product contains lead and possibly other materials whose disposal may be regulated due to environmental considerations. The presence of lead is fully consistent with global regulations applicable at the time that the product was placed on the market. For recycling and disposal information, contact your local authorities. In the United States, you may also refer to the Electronic Industries Alliance web site: www.eiae.org.

If you need additional safety information concerning the Xerox Wide Format 721P Engineering Printer or XEROX supplied materials, you may call :

Within the United States:

1-800-828-6571 toll free

In other countries:

Please call your local XEROX service office for help.

EMC Notices

Australia/New Zealand

Changes or modifications to this equipment not specifically approved by Fuji XEROX Australia PTA. Limited may void the user's authority to operate this equipment.

Shielded cables must be used with this equipment to maintain compliance with the Radio communications Act 1992.

European Union

WARNING

This is a Class A product. In a domestic environment this product may cause radio interference in which case the user may be required to take adequate measures.

Changes or modifications to this equipment not specifically approved by XEROX Europe may void the user's authority to operate this equipment.

Shielded cables must be used with this equipment to maintain compliance with the EMC Directive (89/336/EEC).

WARNING

In order to allow this equipment to operate in proximity to Industrial, Scientific and Medical (ISM) equipment, the external radiation from ISM equipment may have to be limited or special mitigation measures taken.

Canada

This Class "A" digital apparatus complies with Canadian ICES-0003.

Cet appareil numérique de la classe "A" est conforme à la norme NMB-003 du Canada.

Japan

This is a Class A product based on the standard of the Voluntary Control Council for Interference by Information Technology Equipment (VCCI). If this equipment is used in a domestic environment, radio disturbance may arise. When such trouble occurs, the user may be required to take corrective actions.

Changes or modifications to this equipment not specifically approved by Fuji **XEROX** Limited may void the user's authority to operate this equipment.

Shielded cables must be used with this equipment to maintain compliance with the Voluntary Control Council for Interference by Information Technology Equipment regulations.

USA

This equipment has been tested and found to comply with the limits for a Class A digital device, pursuant to Part 15 of the FCC Rules. These limits are designed to provide reasonable protection against harmful interference when the equipment is operated in a commercial environment. This equipment generates, uses, and can radiate radio frequency energy and, if not installed and used in accordance with the instruction manual, may cause harmful interference to radio communications. Operation of this equipment in a residential area is likely to cause harmful interference in which case the user will be required to correct the interference at his own expense.

Changes or modifications to this equipment not specifically approved by the **XEROX** Corporation may void the user's authority to operate this equipment.

Shielded cables must be used with this equipment to maintain compliance with FCC regulations.

1. Introduction

Congratulations on acquiring your new **XEROX** Wide Format 721P Engineering Printer. Team **XEROX** looks forward to supporting and helping you to increase your organizational productivity. The integrated features, ease of operation, and reliability of the **XEROX** Wide Format 721P Engineering Printer will allow you to concentrate on your business and leave the printing to your **XEROX** Wide Format 721P Engineering Printer.

This operator manual provides information that you need to operate the **XEROX** Wide Format 721P Engineering Printer and use its features. Your **XEROX** support group is available to you for further assistance. Call our experts at the appropriate phone number listed below.

The following information will be needed when you call **XEROX**:

Customer Account: _____

Machine Type: **XEROX** Wide Format 721P Engineering Printer

Serial Number: _____

FOR SERVICE ON YOUR Wide Format 721P Engineering Printer:

North America and Canada: 1-877-937-3627

All Other Countries: _____

A Customer Service Support Representative will assist you in keeping your **XEROX** Wide Format 721P Engineering Printer operating and, if required, will arrange for a Customer Service Engineer to inspect your system and restore its performance.

FOR PURCHASE OF OTHER **XEROX** EQUIPMENT AND SUPPLIES:

Local Number _____

A **XEROX** Sales Representative will assist you in evaluating your needs for other xerographic equipment that can further increase your productivity.

Organization And Content Of This Manual

The *XEROX Wide Format 721P OPERATOR MANUAL* provides the information you need to become familiar with the components, features, operation, and specifications of your printer. It contains the following chapters:

Chapter 1**Introduction**

This chapter shows the organization of this manual as well as the contents, terminology, and conventions used in this manual.

Chapter 2**Specification**

This chapter contains product and media specifications, as well as space requirements for operation of the printer.

Chapter 3**Printer overview**

This chapter shows the orientation of the printer. It illustrates and describes the main components of the printer and the operator panel.

Chapter 4**Media**

This chapter explains what happens when a media roll empties and how to load a media roll. It provides the procedure for using cut sheet media and describes the dehumidifier.

Chapter 5**Care**

This chapter contains instructions for replacing the toner cartridge and cleaning the Charge Scorotron, the LED Head and the Printer Surface.

Chapter 6**Problem solving**

This chapter provides the procedures for clearing jams. It contains a description of the error codes. For problems you are unable to resolve by using this manual, it also explains the procedure for placing a service call.

Chapter 7**User Modes**

11 User Modes are described and available to the Operator.

Terminology Used In This Manual

Printer

Whenever the term "printer" appears in this manual, it refers to the XEROX Wide Format 721P Engineering Printer.

SEF

Short Edge Feed

LEF

Long Edge Feed

Conventions Used In This Manual

This manual uses the following conventions:

Bold

Boldface characters in the middle of a text string refer to selections on the control panel (for example, "press the **Enter** key").

WARNING:

A **WARNING** indicates an operation, maintenance procedure, practice, condition or statement that, if not strictly followed, could result in personal injury. When included within a procedure, warnings always precede the step to which they refer.

CAUTION:

A **CAUTION** encourages strict compliance with an operation, maintenance procedure, practice, condition or statement to prevent damage to the equipment. When included within a procedure, cautions always precede the step to which they refer.

NOTE:

A **NOTE** highlights an operating or maintenance procedure, a condition or a statement.

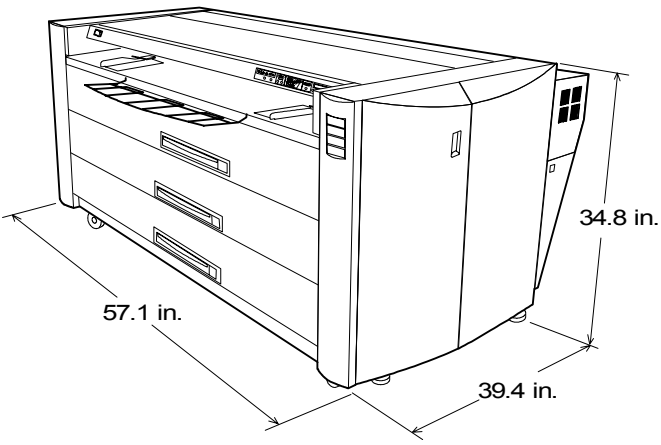
This page is intentionally blank.

2.

Specification

This chapter provides the product and media specifications for the XEROX Wide Format 721P Engineering Printer. It also provides the space requirements for normal operation after product installation.

Product Specifications

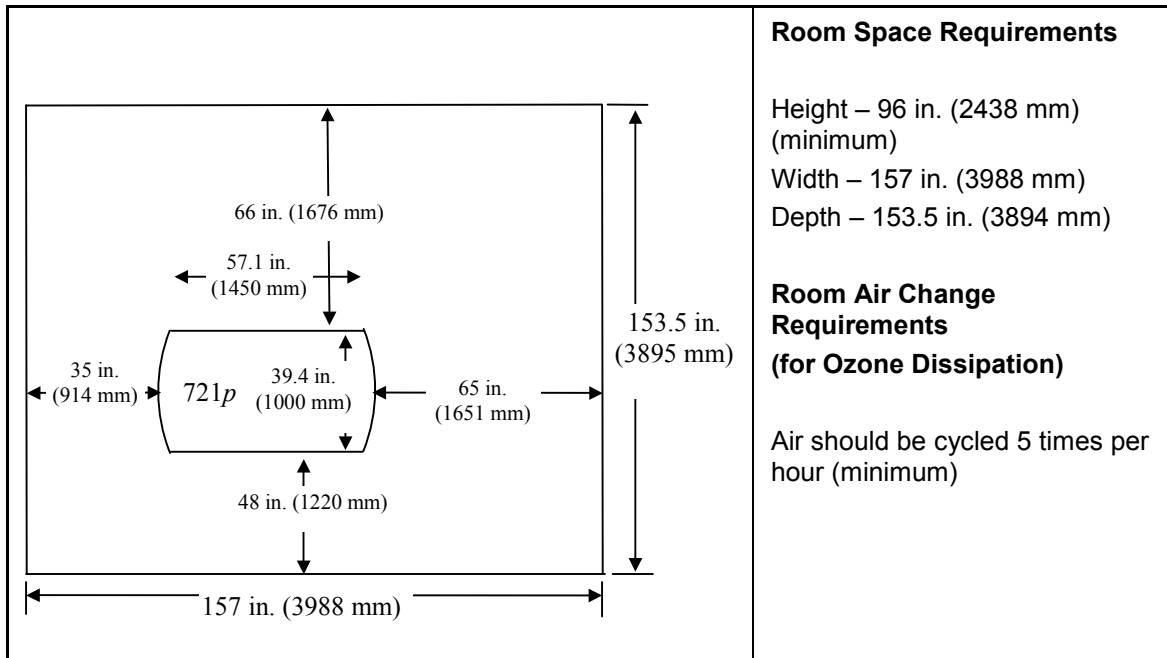
Process speed	240mm per second
Resolution	400 dpi
Environmental requirements	Minimum: 50° F (10° C) at 20% relative humidity Maximum: 90.5° F (32.5° C) at 82.5% relative humidity Maximum elevation: 6,667 feet (2000 meters)
Weight	880 lbs. (400 kg)
Dimensions	 <p>Width: 57.1 in. (1,450mm) Depth: 39.4 in. (1,003mm) Height: 34.8 in. (884mm)</p>
Audible noise	Less than 70db (Printing) (Except impact noise such as cutter working sound) Less than 55db (Stand by)
Power consumption	Typical power consumption for US 220-240V @ 20A: Standby – 900 watts Operating – 3000 watts

Media Specifications

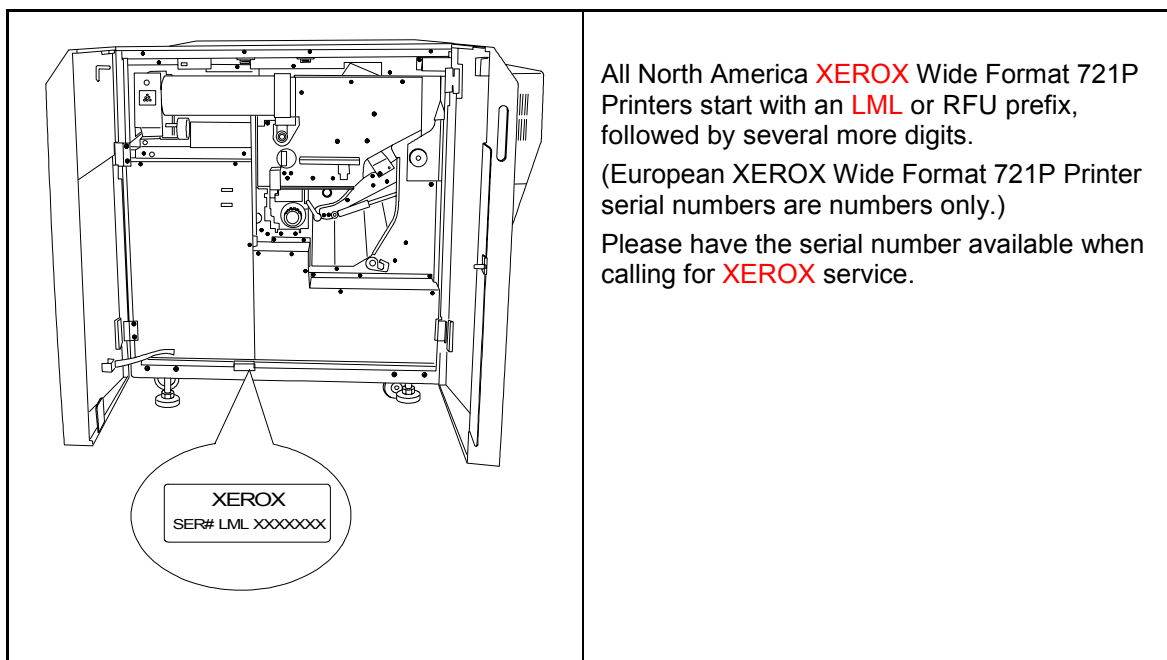
Media type	<p>Recommended media types:</p> <ul style="list-style-type: none"> Bond – 20 lb. (90 gsm) Vellum/Tracing – 20 lb. (90 gsm) Film – 4 mil thickness
Media size	<p>Roll feed:</p> <ul style="list-style-type: none"> Width – 11 to 36 inches (279 to 914 mm) Length – 500 ft (175 M) Roll Diameter– 175mm maximum Core diameter – 3 inches (76 mm) <p>Manual Bypass Feed:</p> <ul style="list-style-type: none"> Maximum Width – 36 in. (E SEF) 914mm (A0) Minimum Width - 11 in. (A LEF) 279mm (A4)
Print size	<ul style="list-style-type: none"> Minimum – 11 in. x 8.5 in. (A LEF) (A4) Maximum – 36 in. x 48 in. (E SEF) (A0) Maximum Length – 5 times the standard length (6M for 36 “ bond media only)

Room Space Requirements

The illustration below shows the space requirements for normal operation of the printer after installation.



Serial Number Location



This page is intentionally blank.

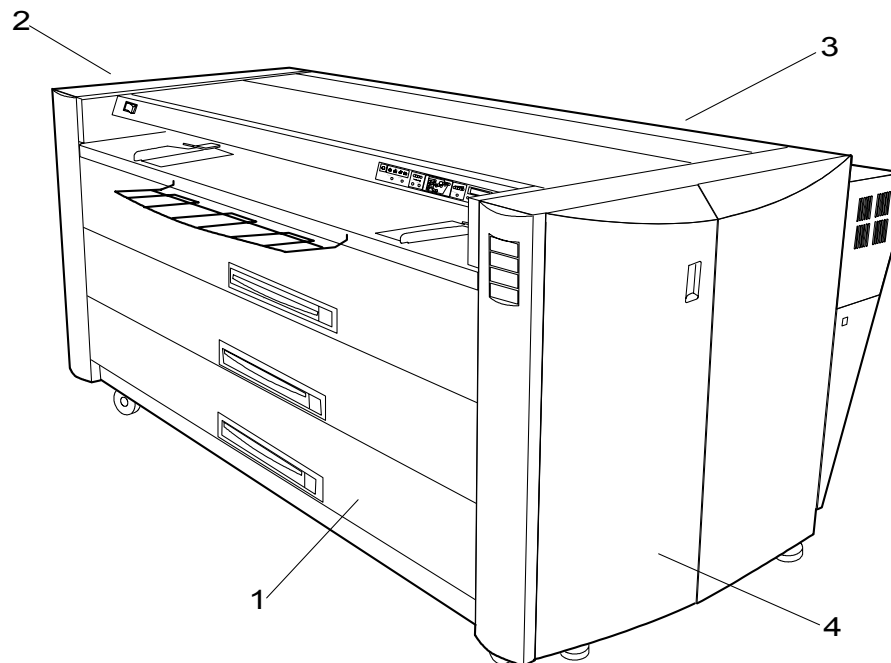
3.

Printer Overview

This chapter shows the orientation of the printer. It also illustrates and describes its main components, as well as the elements of the operator panel.

Printer Orientation

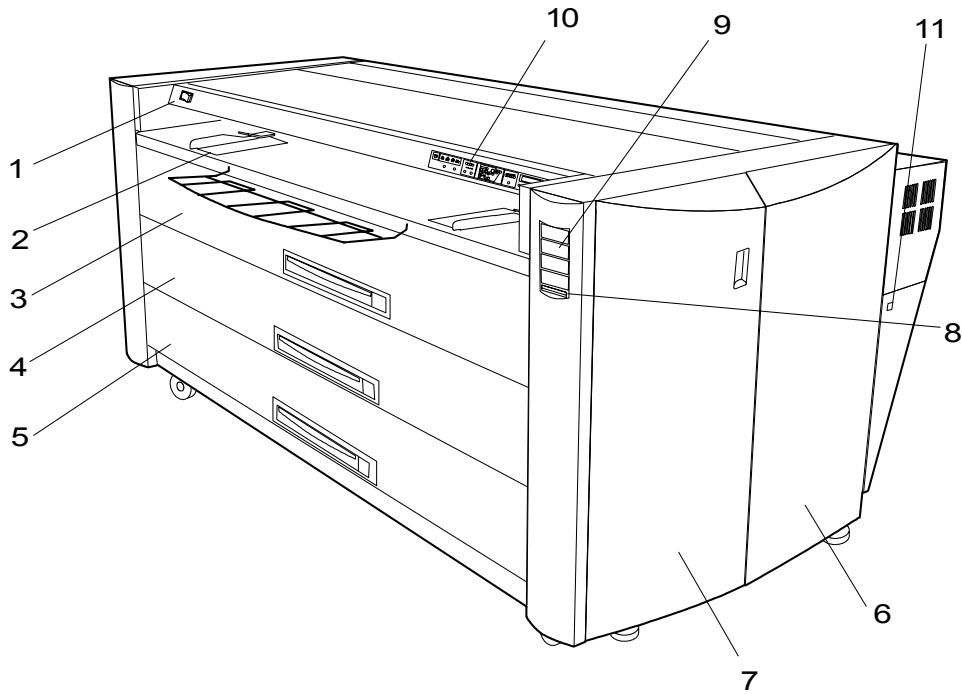
The illustration below shows the printer orientation. You must be familiar with this orientation when following the messages in the message display and the instructions in this guide.



- 1. Front Side
- 2. Left Side
- 3. Rear Side
- 4. Right Side

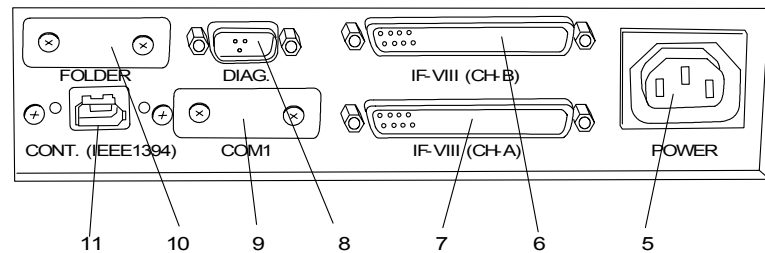
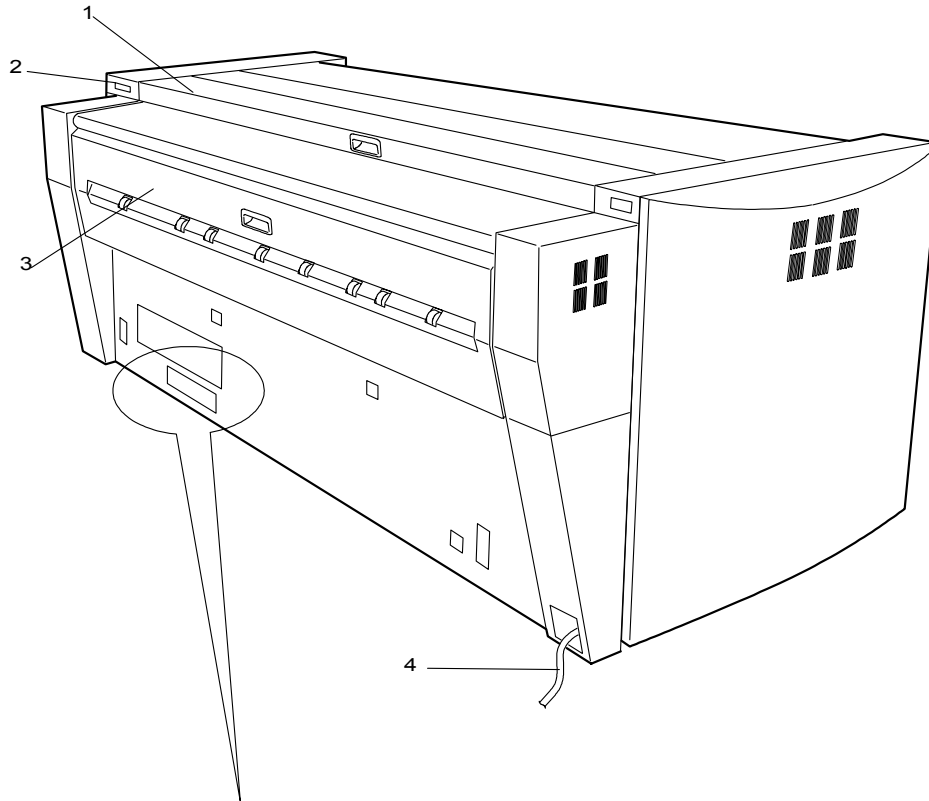
Main Components

Front Side View



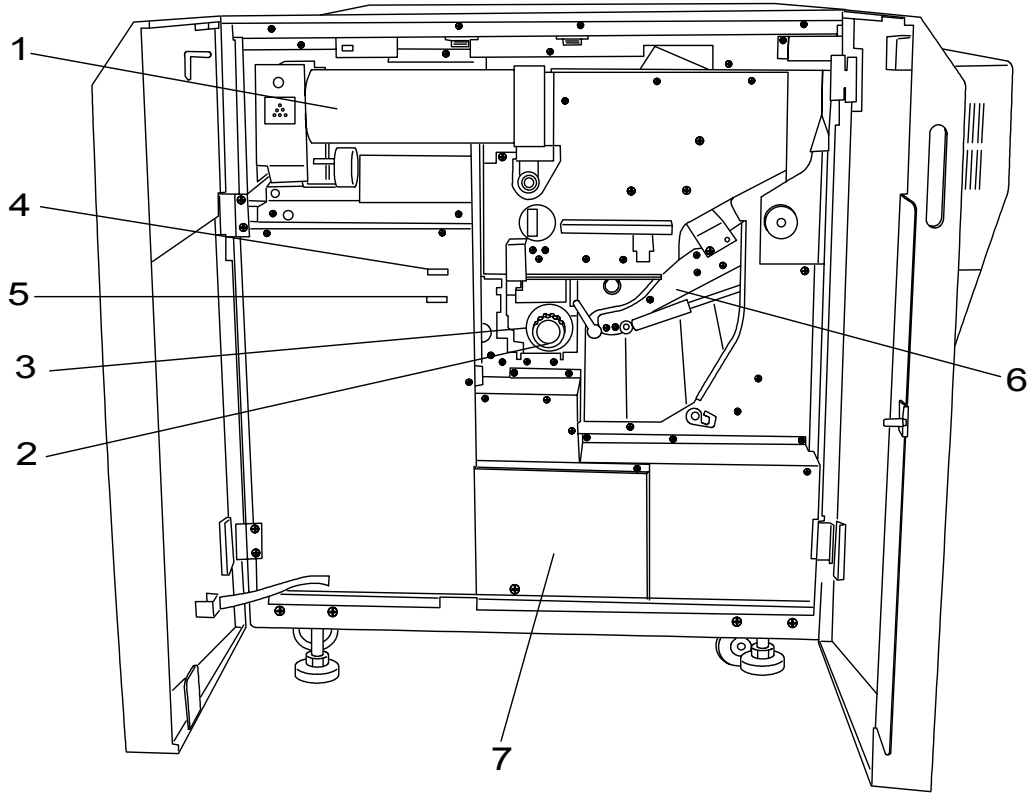
- | | |
|--|--|
| 1. Power On/Off Switch | Press to switch the printer on and off. |
| 2. Media Guide | Adjust to size of cut sheet media in manual bypass mode. |
| 3. Top Drawer (Roll 1) | Open to load media roll and clear media jams. |
| 4. Middle Drawer (Roll 2) | Open to load media roll and clear media jams. |
| 5. Bottom Drawer
(Roll 3 &4) | Open to load media rolls and clear media jams. |
| 6. Right Hand Door | Open to clear media jams. |
| 7. Left Hand Door | Open to add toner. |
| 8. Toner Display Panel | Displays the amount of toner remaining in the toner cartridge. |
| 9. Media Display | Shows roll width and selected media. |
| 10. Operator Panel &
Status Display | Operation keys to select a media drawer and other status indicators. |
| 11. Controller Switch | Press to switch the controller on and off. |

Rear Side View



- | | |
|---|--|
| <p>1. Top Rear Cover</p> | <p>Pull the handle and open to clear media jams.</p> |
| <p>2. I/F Connector for Scanner (IEEE1394)</p> | <p>Connect the cable from scanner here.</p> |
| <p>3. Exit Cover</p> | <p>Open to clear media jams.</p> |
| <p>4. Power Cord</p> | <p>Connect to a suitable power outlet.</p> |
| <p>5. Power (220 VAC)</p> | <p>Connect the power cable from the controller here.</p> |
| <p>6. I/F VIII (CH-B)</p> | <p>Connect the Interface Cable from the AccXES Controller here. (37 pins) (Not Used)</p> |
| <p>7. I/F VIII (CH-A)</p> | <p>Connect the Interface Cable from the AccXES Controller here. (37 pins)</p> |
| <p>8. DIAG</p> | <p>Service use only.</p> |
| <p>9. COM1</p> | <p>Not Used</p> |
| <p>10. FOLDER</p> | <p>Not Used</p> |
| <p>11. CONT. (IEEE1394)</p> | <p>Connect the Interface Cable from the AccXES Controller.</p> |

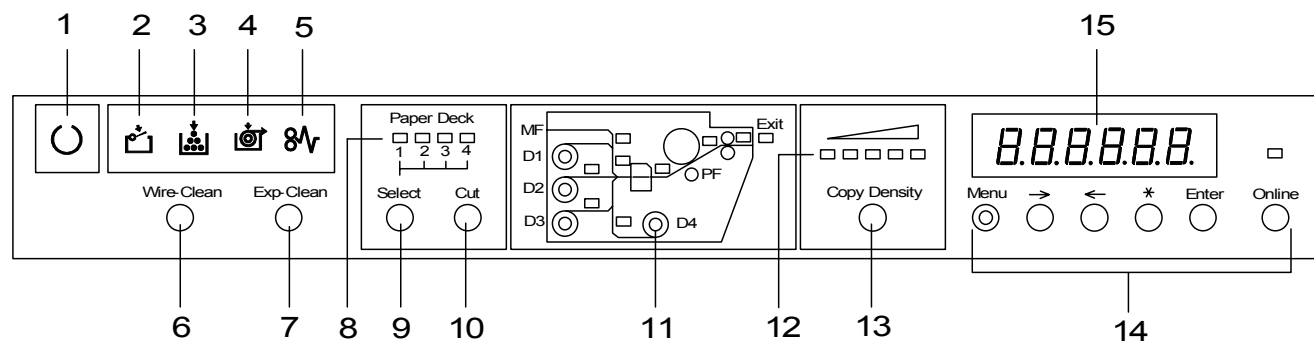
Right Side View



- | | |
|---------------------------------|--|
| 1. Toner Cartridge | Replace when Status Display indicates that the cartridge is empty. |
| 2. Media Cutter | Turn to cut media during jam clearance. |
| 3. Cutter Home Indicator | As the cutter knob is rotated, the cutout color will change from RED to GREEN when the home position is reached. (DO NOT rotate counter-clockwise) |
| 4. Meter A - Billing | Square Counter for billing purposes. |
| 5. Meter B - Service | Linear Counter for service purposes. |
| 6. Inner Transport Unit | Open to clear media jams. |
| 7. Service Record Cover | Contains service information. |

Operator Panel & Status Display

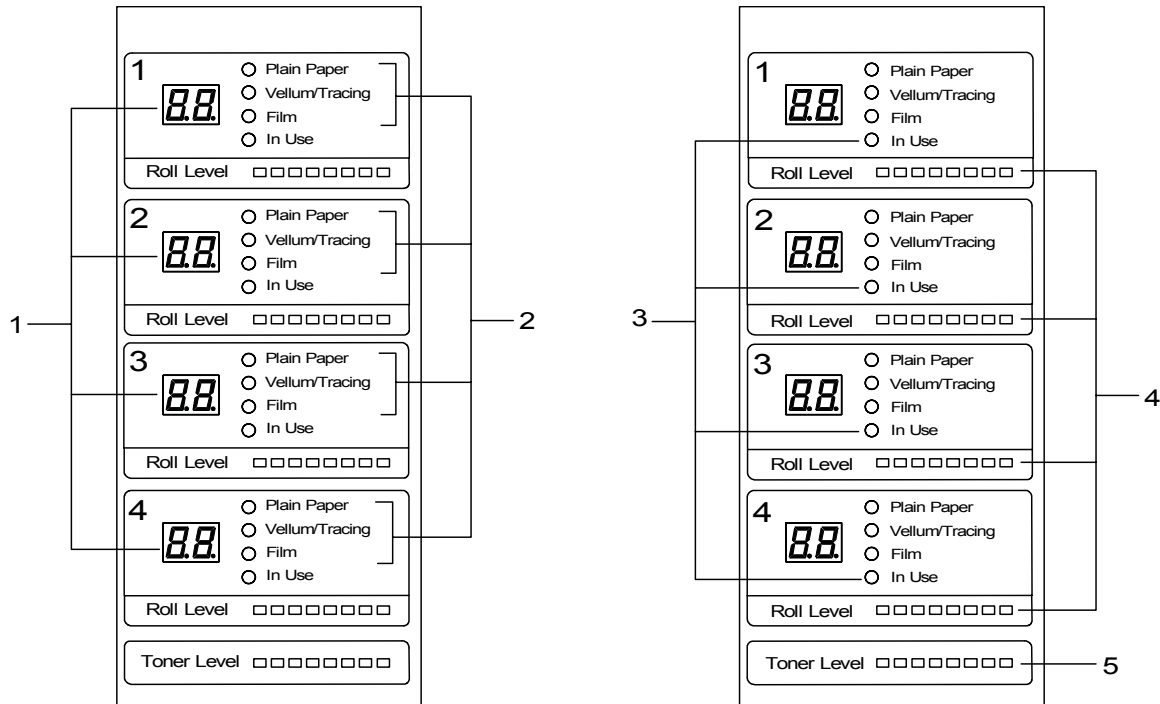
The operator panel is located on top of the front side of the printer. It consists of a graphic display, a message display and several function keys.



- | | |
|---|--|
| 1. Ready Indicator | Flashes when the printer is warming up, and remains on steady when the printer is ready to operate. |
| 2. Door Open Indicator | This indicator flashes and an error code is displayed when a door is opened, or the Inner Transport Unit is opened. |
| 3. Toner Empty Indicator | This indicator flashes when the toner level is low. When the toner supply is empty, the indicator is on steady and no more prints can be made. You can replace the Toner cartridge even if the printer is operating. |
| 4. Media Empty Indicator | This indicator flashes when the selected media roll is depleted. |
| 5. Media Jam Indicator | This indicator flashes when media is jammed in the printer. |
| 6. Wire-Clean key | The Charge Scorotron Wire is cleaned when this key is pressed. The Ready Indicator flashes during the cleaning process. |
| 7. Exp-Clean key | Lens Array of LED Print Head is cleaned when this button is pressed. Ready Indicator flashes during the cleaning process. |
| 8. Media Roll Indicator | Displays the selected media roll for lead edge cut when the SELECT key is pressed. |
| 9. Select key | Press this key to select the media roll desired for a lead edge cut. |
| 10. Cut key | Press this key to feed and cut 240mm of the lead edge of the selected roll. |
| 11. Media Jam Location Indicator | Indicates the location where Jam has occurred. |
| 12. Copy Density Indicator | The selected Print Density level is illuminated. |
| 13. Copy Density Key | Use this key to temporarily increase or decrease the image density. |
| 14. Menu, →, ←, *, Enter, Online | These keys are used for changing User Modes described in Chapter 7. The Online Key is also used to place the printer Offline and Online. |
| 15. Status Display | Error Codes, Status Codes and messages are displayed here. |

Media and Toner Status Panel

The Media and Toner Panel is located on the front right face of the printer. It displays the size of the media, the type of the media, the media in use, and how much media and toner is remaining.



1. Roll Size Displays

Displays the size of the roll media.

2. Media Type Indicators

Displays "Plain Paper", "Vellum/Tracing" or "Film" depending on the media loaded in the drawer.

3. In Use Indicators

Illuminates to indicate that the drawer is "In Use". Even if the printer is in the print cycle, you can replace media rolls 1, 3 and 4 if "In Use" indicator is off. Also, the drawer in use is identified in the message display as "-dx-" (x being the drawer number).

4. Roll Level Indicators

This indicator displays the remainder of roll media. Lamps will go off from right to left as the remainder of media diminishes.

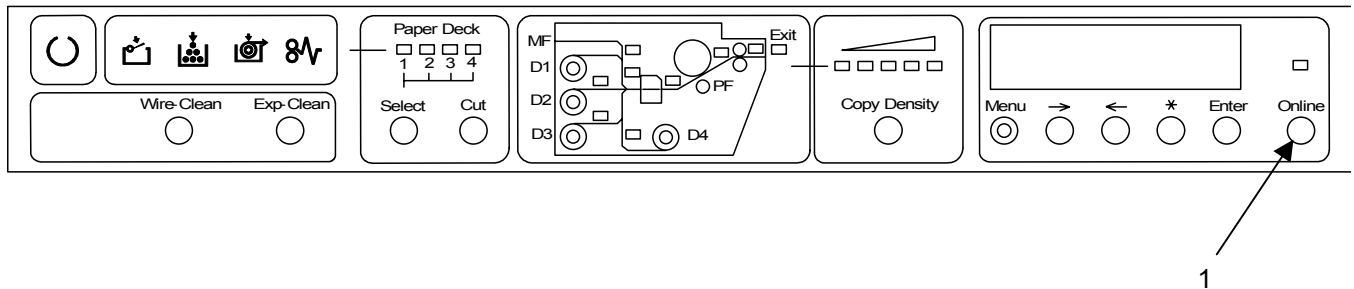
5. Toner Level Indicator

This indicator displays the remainder of toner in the toner cartridge. Lamps will go off from right to left as the remainder of toner diminishes.

Online/Offline

To take the printer Offline:

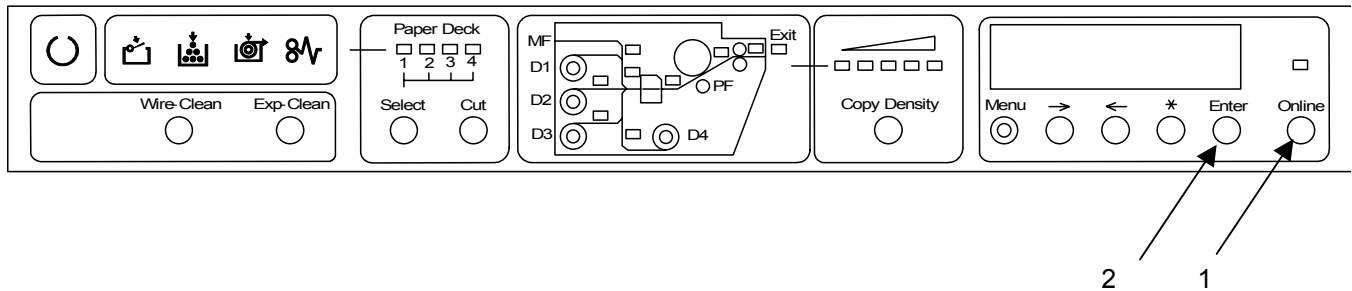
1. Press the Online Key to take the printer Offline. The green LED light will go off, the page in process will finish and the printer will enter the Offline Mode. Print jobs are still accepted to the job queue.
2. To return the printer to the Online Mode, press the Online Key. The green LED will light and the printer will return to the Online Mode.



Job Cancel

To cancel the job currently printing:

1. Press the Online Key to take the printer Offline.
2. Press and hold the Enter key until the green LED light above the Online Key flashes three times and three beeps sound.
3. The printer will complete the page in process and the printer will stop printing. The current job will be canceled.
4. When returned Online, the next job in the job queue will begin.
5. Repeat the process (Steps 1 – 4) to cancel the next job in the queue



This chapter provides the following information:

- The procedure for loading roll media into the media drawers
- The procedure for bypassing the media drawers and manually feeding pre-cut sheets into the printer
- An explanation of the dehumidifier feature.

For information about the media sizes and types that the printer can accommodate, refer to the "Specification" chapter of this manual.

Adding Media Rolls

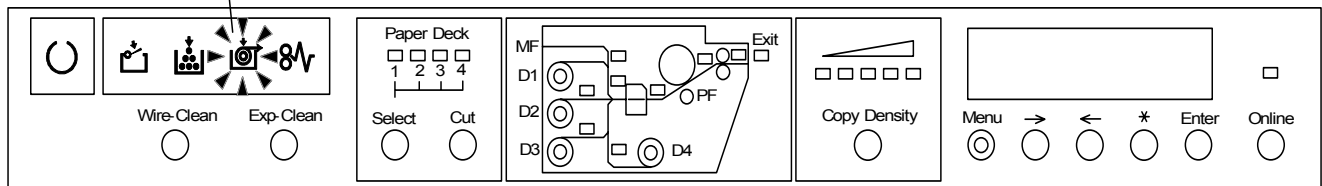
When roll media in use is empty, the Media Empty Indicator on the Operation Panel remains on steady.

To load a new roll media, follow the instructions in the "Loading The Roll Media" sections of this chapter.

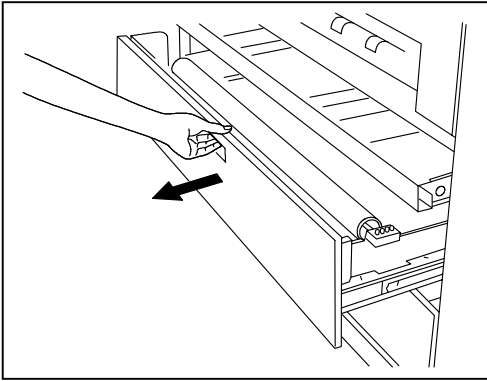
NOTE: Roll sizes 880 mm, 891 mm and 900 mm can be loaded in Media Drawer 1 only. The printer is set for 900 mm size. To enable 880 mm or 891 mm sizes, contact XEROX Service.

NOTE: B3 media should not be loaded in drawer 1. If B3 media is loaded in drawer 1, the printer will report the size as either A3 or 11" media.

Media Empty Indicator



Loading The Roll Media (Roll 1, 2 & 3)



1. Pull the handle and open the desired drawer.
2. Rewind the media remaining on the roll.

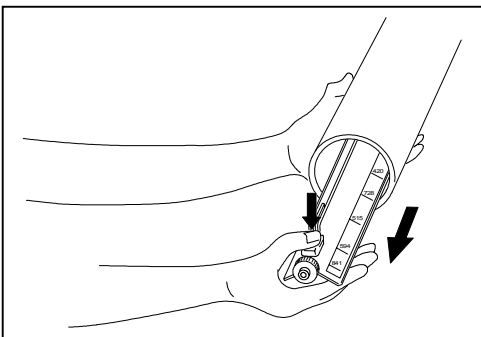
NOTE:

Even if it is not necessary to rewind the roll media, rotate the spindle in the rewind direction. Failure to perform this may cause the gear at the left end of the spindle to be broken.

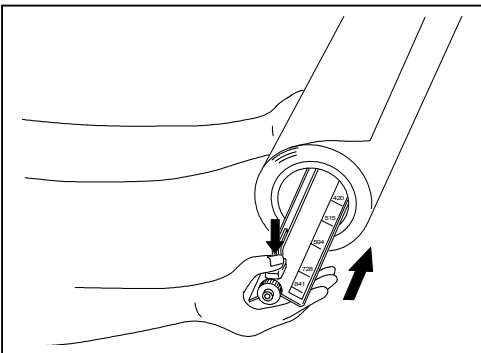
3. Hold the roll at both ends and lift the roll out of the drawer. The spindle must remain parallel when removed.

CAUTION

Failure to keep the spindle parallel may cause the gear at the left end to break.



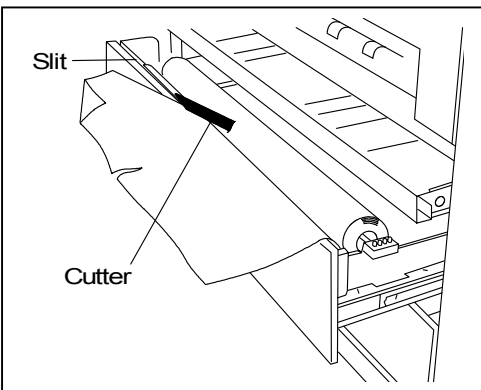
4. Press the green lever at the end of the spindle.
5. Slide the spindle out of the media core.



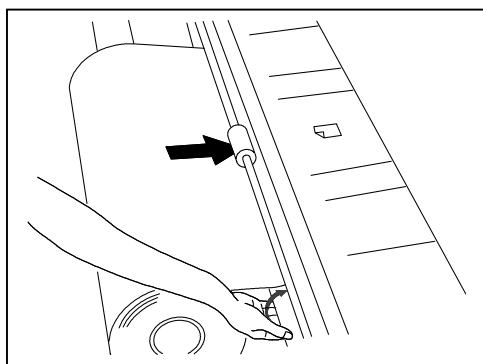
6. Press the green locking lever and insert the spindle into the new roll of media.
7. Align the edge of the media with the appropriate width dimension on the spindle.

NOTE: To ensure that the media roll will not slip on the spindle, lift up on the green lever after the roll is in position. This action provides a positive grip on the media core.

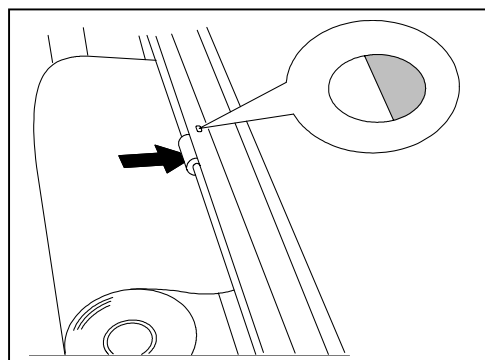
NOTE: To avoid unnecessary strain, load the heaviest roll in the top drawer and the lightest rolls in the bottom drawer.



8. Hold the roll at both ends and place the roll into the drawer.
9. If the leading edge of the roll media is taped, cut more than 22" (550mm) to eliminate the possibility of glue from the tape contaminating internal printer components. If the leading edge is torn, folded, or very ragged, cut the leading edge using a sharp blade and the slit mounted to the inside of the drawer.

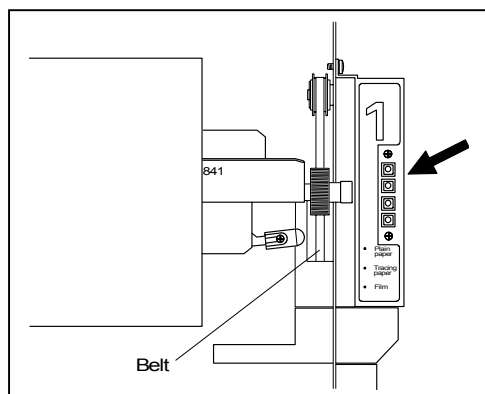


10. Insert the lead edge of the media between the upper and lower feed rollers.
11. Rotate the lower roller by hand in order to feed an inch (25 mm) of media between the rollers.



Roll 3 only:

12. Rotate the lower feed roller until the lead edge is visible in the center of the viewing hole.



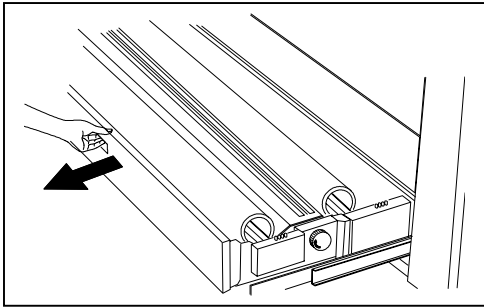
13. Set the switches for the series and type of media you have loaded, from rear to front:
 - Arch. (12", 18", 24", 30", 36", rolls) or Ansi. (11", 17", 22", 34" rolls)...(Rear)
 - Plain Media
 - Vellum
 - Film (Front)

NOTE:

14. Ensure that the rubber-tracking belt is underneath the plastic roller on the right side of the media spindle. If the belt is not correctly positioned, the printer will indicate an out-of-media condition.

15. Push in the drawer until it is closed and latched.
16. If the leading edge is not sufficiently square, perform the automatic initial cut by pressing the [Select] key to select the appropriate drawer, and then pressing [Cut] key. Approximately 9.5" (240mm) media will be cut and fed from the printer.

Loading The Roll Media (Roll 4)



1. Pull the handle and open drawer 3/4.

Rewind the media remaining on the roll.

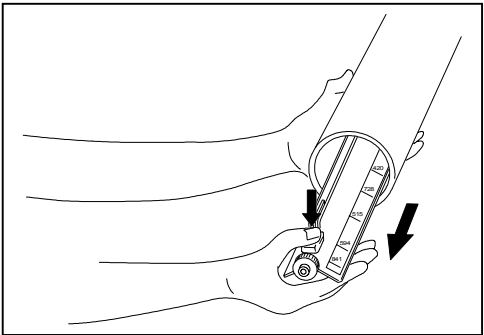
NOTE:

Even if it is not necessary to rewind the roll media, rotate the spindle in the rewind direction. Failure to perform this may cause the gear at the left end of the spindle to be broken.

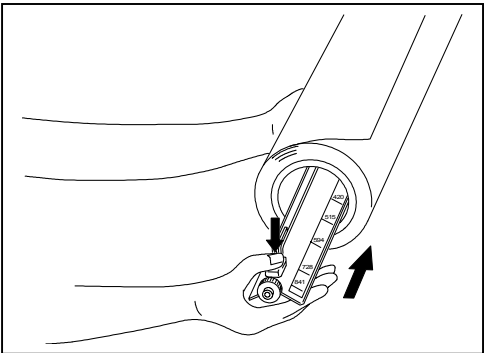
2. Hold the roll at both ends and lift the roll out of the drawer. The spindle must remain parallel when removed.

CAUTION

Failure to keep the spindle parallel may cause the gear at the left end to break.



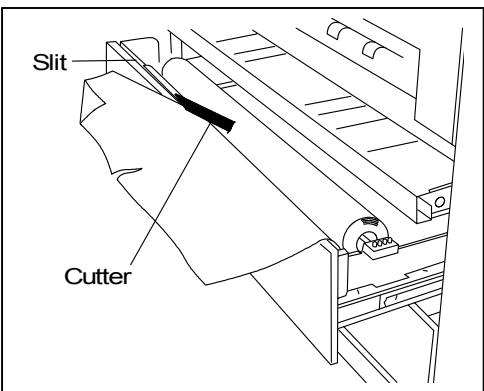
3. Press the green lever at the end of the spindle.
4. Slide the spindle out of the media core.



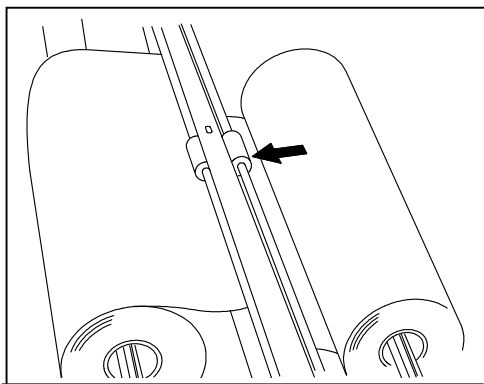
5. Press the green locking lever and insert the spindle into the new roll of media.
6. Align the edge of the media with the appropriate width dimension on the spindle.

NOTE: To ensure that the media roll will not slip on the spindle, lift up on the green lever after the roll is in position. This action provides a positive grip on the media core.

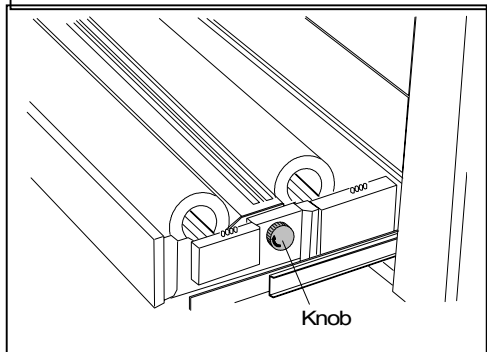
NOTE: To avoid unnecessary strain, load the heaviest roll in the top drawer and the lightest rolls in the bottom drawer.



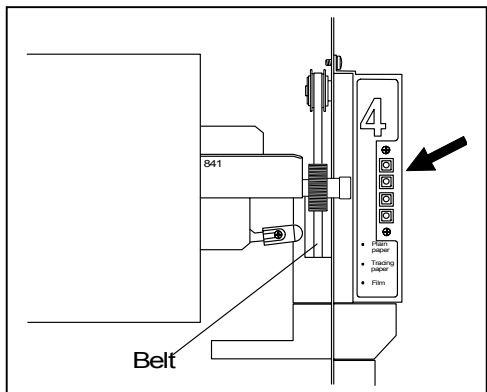
7. Hold the roll at both ends and place the roll into the drawer.
8. If the leading edge of the roll media is taped, cut more than 22" (550mm) to eliminate the possibility of glue from the tape contaminating internal printer components. If the leading edge is torn, folded, or very ragged, cut the leading edge using a sharp blade and the slit mounted to the inside of the drawer.



9. Insert the lead edge of the media between the upper and lower feed rollers.



10. Rotate the green knob in order to feed an inch (25 mm) of media between the feed rollers.



11. Set the switches for the series and type of media you have loaded, from rear to front:
 - Arch. (12", 18", 24", 30", 36", rolls) or Ansi. (11", 17", 22", 34" rolls) (Rear)
 - Plain Media
 - Vellum
 - Film (Front)

NOTE:

12. Ensure that the rubber-tracking belt is underneath the plastic roller on the right side of the media spindle. If the belt is not correctly positioned, the printer will indicate an out-of-media condition.
13. Push the drawer in until it is closed and latched.
14. If the leading edge is not sufficiently square, perform the automatic Initial Cut by pressing the [Select] key to select the appropriate drawer, and then pressing [Cut] key. Approximately 9.5" (240mm) media will be cut and fed from the printer.

Loading The Roll Media When Printing

Rolls 1, 3 and 4 may be loaded when the printer is operating. Roll 2 can **NOT** be loaded when the printer is operating.

First, ensure that the roll is **NOT** currently being used by observing that the "In Use" indicator is **OFF** for the roll to be loaded and the message display does not indicate that the roll is in use ("-dx-", x being the roll number).

Next, follow the Loading Roll Media instructions as normal.

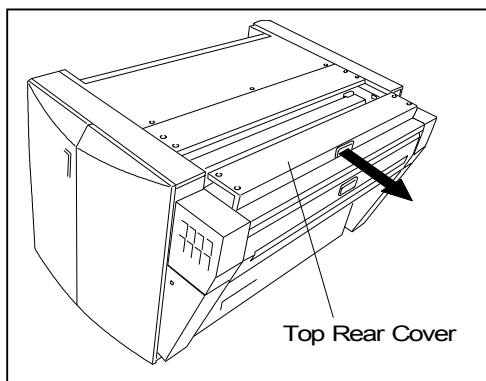
Dehumidifier

The printer is equipped with media heaters, which, when enabled, maintain the media at a constant temperature. The heaters operate at night and in high-humidity conditions in order to avoid moisture-related problems with the media such as wrinkling and deletions in the print.

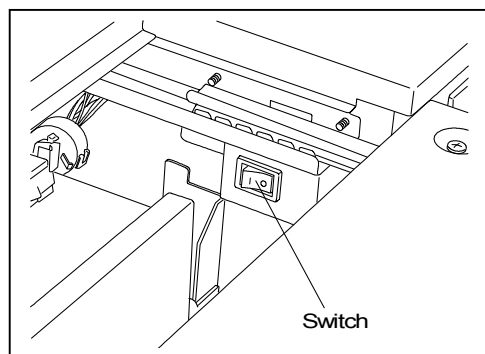
XEROX Service can enable the heaters to operate in one of three modes:

1. Off all the time
2. Off when printer is switched on. The heaters will continue to operate when the printer is switched off, as long as the printer is connected to a live power outlet.
3. On all the time.

If XEROX Service has enabled the media heaters, the heaters can be switched on or off by the Operator as environmental conditions change:



1. Open the Top Rear Cover in order to locate the Dehumidifier Switch.



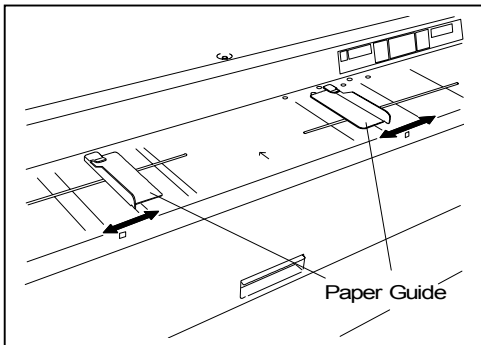
2. Set the switch to the correct position for humid or dry conditions:
 - In humid conditions, the dehumidifier switch should be set to the "1" position.
 - In dry conditions, the dehumidifier switch should be set to the "0" position.

Using Manual Bypass Feed

When the desired media is not loaded in the printer, you can bypass the media drawers and manually load cut sheet media into the printer.

NOTE:

The printer will accept any media type, regardless of the media type specified. Ensure that the media type is correct or the toner image may rub off of the print as the printer uses media type to determine fusing temperature.



To manually feed cut sheets into the printer:

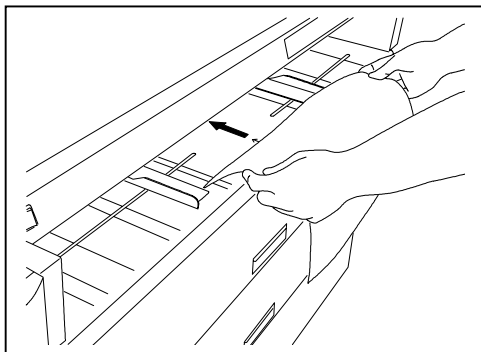
1. Select the appropriate cut sheet for the print job.
2. Position the media Long Edge Lead (LEL).

NOTE:

The printer expects all cut sheet media to be fed LEL except for E-size (A0 size) documents. Any image attempted to be printed on a sheet of media beyond the width of a standard ISO, ANSI, or ARCH series document will be truncated by the 721p.

As an example, if an Arch C 18" x 24" print is desired but the 18" x 24" media is loaded Short Edge Lead (SEL), or 18" edge first, the image will stop after a length of 12" because the 721p assumes the media loaded is Arch B size (12" x 18").

3. Adjust the media guides to the correct size.



4. Feed the cut sheet media squarely into the printer, curl side down and between the guides. For media 24" or wider, the printer will pre-feed the sheet into the feeder. For media smaller than 24", the printer will feed the media when the print job starts.

841mm or wider (greater than 24"): 1 sheet only

279mm (11") to 609mm (24") width: up to 50 sheets (457mm - 18 inch length maximum) fed long edge

NOTE: Install the wire form holder tray for paper larger than 18" (447mm).

5. From the client workstation or the scanner, specify Manual Feed as the media source.
6. Submit the print job or scan the document.

The printer requires minimum operator maintenance. You will need to replace the toner cartridge when the cartridge empties. You also will need to clean the outside surface of the printer when necessary.

This chapter provides the procedures for performing the required tasks and for ordering supplies.

When The Toner Cartridge Needs Replacement

When the toner cartridge is empty, the "Toner Empty" indicator on the Operation Panel flashes.

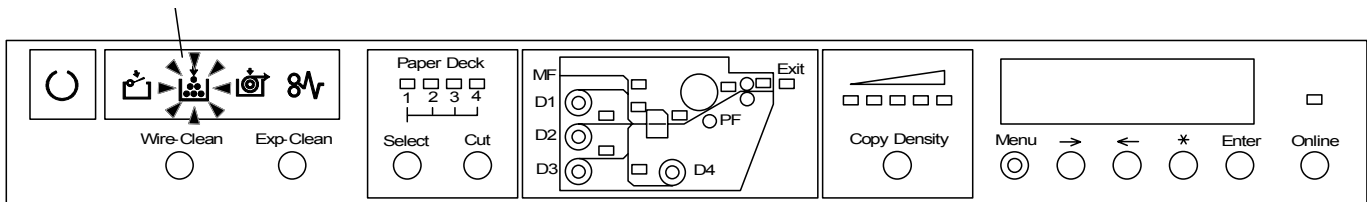
The printer will continue to operate during a low toner condition.

However, when the "Toner Empty" light remains on continuously, the printer will not operate.

The toner cartridge can be replaced even when the printer is operating.

To replace the toner cartridge, follow the instructions in the "Replacing the Toner Cartridge" sections of this chapter.

Toner Empty Indicator



Replacing The Toner Cartridge

Toner cartridges are supplied as part of a kit, which contains eight toner cartridges.

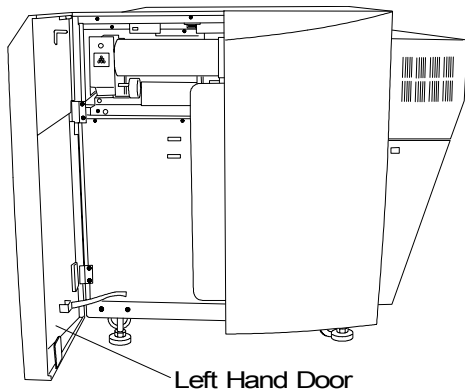
Store the remaining toner cartridges in a cool, dry place until they are required.

The Toner Cartridge can be replaced when the printer is operating.

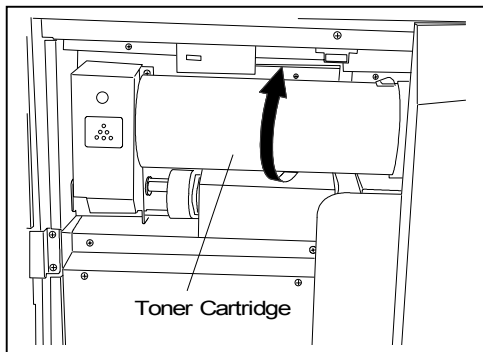
CAUTION

The Xerox Wide Format 721P printer has a unique toner supply system. Use of toner or toner cartridges not specifically designed for the Xerox Wide Format 721P printer may not produce the same quality and may cause service problems or damage to the unit. Such damage will void warranty and maintenance agreements and may require additional service cost.

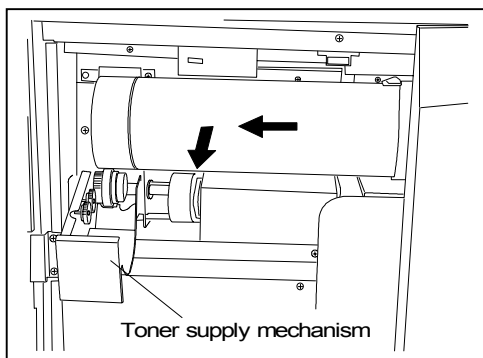
1. Open the Left Door.
Status Code U-06 is displayed in the message display.

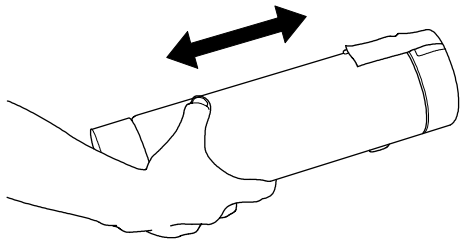


2. Rotate the toner cartridge 180 degrees.



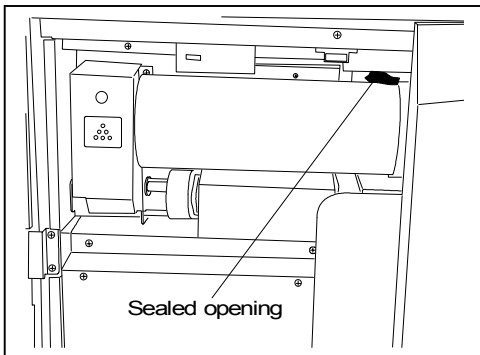
3. Pull down on the left end of the toner supply mechanism and remove the cartridge.



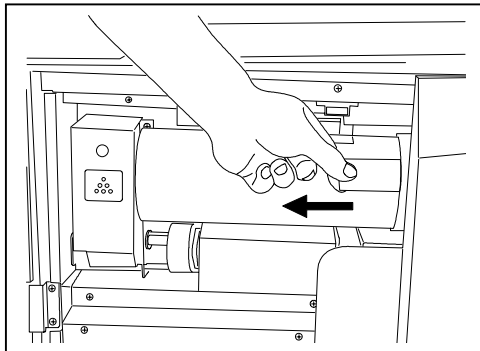


4. Shake the new cartridge several times in order to prepare the contents for use and remove the foam band from the cartridge.

DO NOT apply pressure to the center of the cartridge. Toner will spill from the ends of the cartridge.

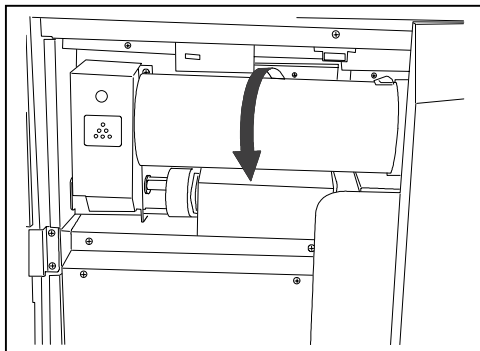


5. Install the cartridge into the toner supply mechanism while keeping the sealed opening on the upper side of the cartridge.
6. Close the toner supply mechanism.



7. Rotate the toner cartridge 90 degrees as shown to access the seal, then gently remove the seal by pulling to the left.

NOTE: If the cartridge is in any other position, toner will spill from the cartridge.

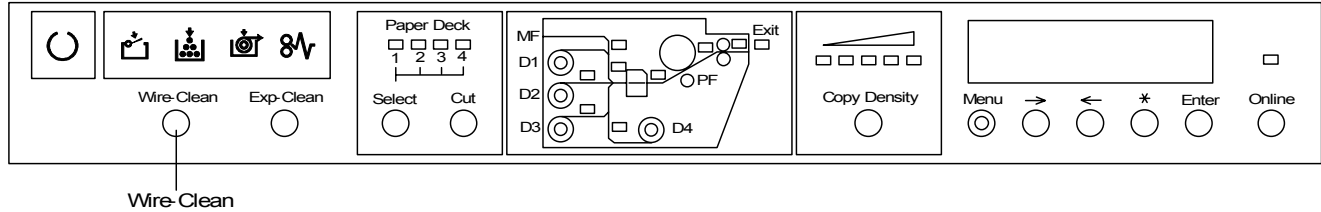


8. Continue to rotate the toner cartridge to its full down position.
9. Close the Left Door.
Status Code U-06 will go out.
The Toner Level Display on the front panel will scroll until the new level is read. Then the new toner level will be displayed.
10. Dispose of the empty cartridge properly by sealing the opening of the cartridge with tape or put the cartridge in a plastic bag before discarding.

Cleaning The Charge Scorotron Wire

Periodic cleaning of the Charge Scorotron Wire will reduce print quality problems such as light prints or deletions in the print caused by accumulation of toner inside the printer.

NOTE: The Wire Cleaning is performed automatically when the printer is switched on.



Wire-Clean

Press this key to clean the Charge Scorotron Wire if there is no message in the Status Display.

A "-C-" will be displayed during the cleaning process.

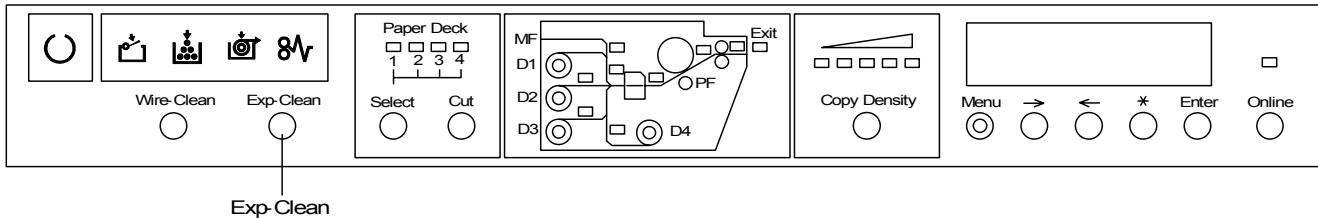
NOTE:

It will take approximately 2 minutes for the cleaning process.

Cleaning The LED Print Head

Periodic cleaning of the LED Print Head will reduce print quality problems such as light prints or deletions in the print caused by the accumulation of toner inside the printer.

NOTE: The LED Print Head Cleaning is performed automatically when the printer is switched on.



Exp-Clean

Press this key to clean the Lens Array of the LED Print Head if there is no message in the Status Display.

A "-C-" will be displayed during the cleaning process.

NOTE:

It will take approximately 2 minutes for the cleaning process.

Cleaning The Printer Surface

As needed, clean the outside surfaces of the printer. Use a clean cloth dampened with mild soap and water. Do not pour or spray liquid directly on any part of the printer.

Ordering supplies

This section provides information for obtaining supplies for your printer.

Supply order list

The XEROX Wide Format 721P uses the following supplies:

- Toner cartridge

The printer is shipped with eight toner cartridges. When ordering, use the following part number:

6R1141

Xerox also offers bond paper, vellum/tracing paper, and film in various sizes, weights, and grades to meet your printing needs.

Supply order procedure

To order supplies for the XEROX Wide Format 721P, call:

North America and Canada: 1-877-937-3627

When ordering supplies, please be prepared to provide the following information to the sales representative:

- Customer account number: _____
- Machine type: XEROX Wide Format 721P
- Item descriptions/part numbers and quantities required

For more information, follow the Wide Format Solutions link at WWW.Xerox.Com.

This page is intentionally blank.

6.

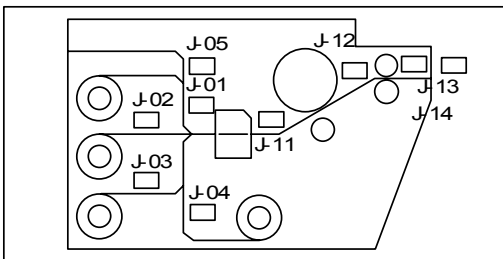
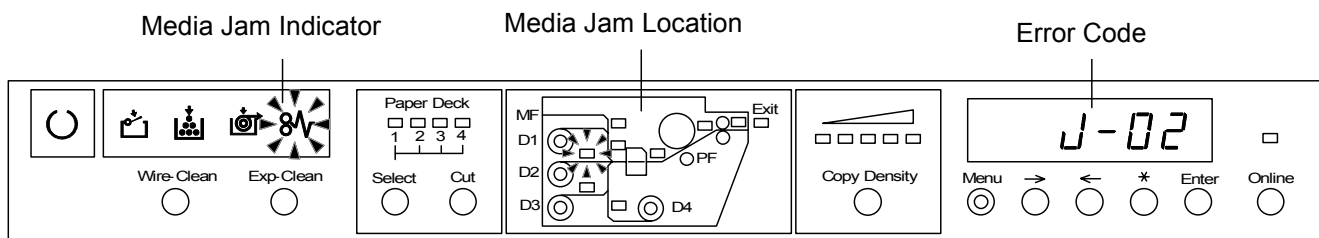
Problem Solving

This chapter provides information for resolving various problems that can occur during the operation of the printer. It contains instructions for clearing media jams and also includes the error code list. If you are unable to resolve the problem, follow the procedure for calling for service at the end of this chapter.

Media Jams

When the printer experiences a media jam, the following occur:

- The Media Jam Indicator flashes.
- An error code “J-XX” and Media Jam Location Indicator flashes.



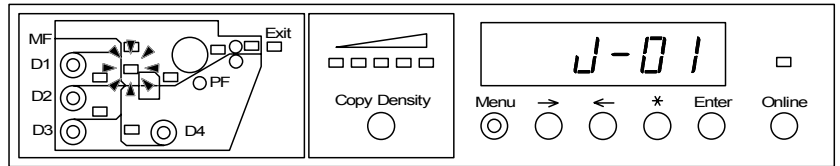
To clear the jam:

Observe the location of the flashing indicator light on the Media Jam Location Indicator.

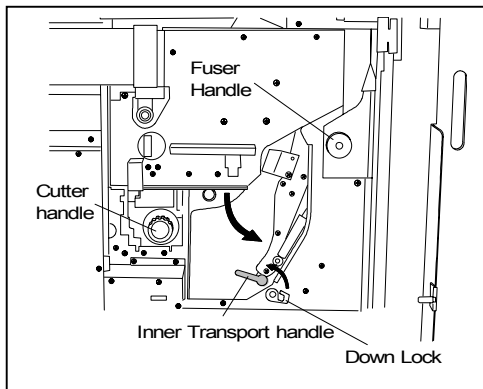
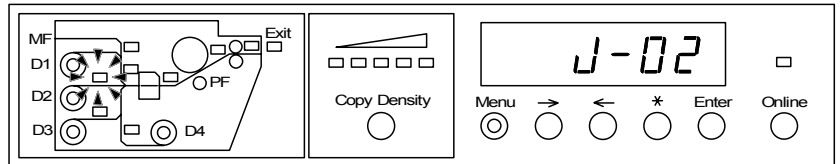
Follow the instructions in this chapter to clear the jam.

Clearing Media Jam (J-01 & J-02)

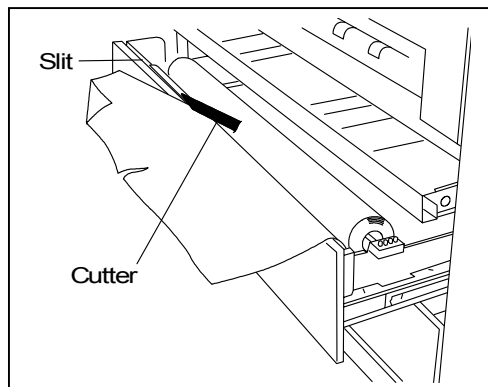
When a jam J-01 occurs, the media jams while feeding from Roll 1 in the top drawer.



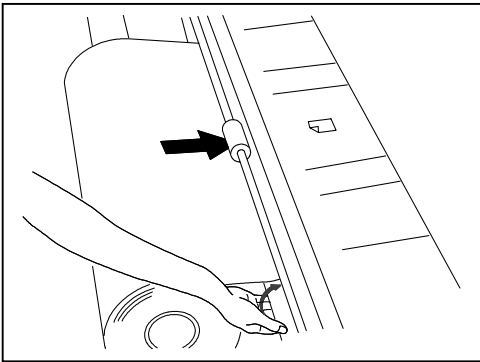
When a jam J-02 occurs, the media jams while feeding from Roll 2 in the middle drawer.



1. Open the drawer indicated by the jam code.
2. Open the Right Side Door and turn the Inner Transport Assembly handle to release the transport. Lower and lock the transport by engaging the Down Lock.
3. If the media is not cut and the leading edge of the media has reached the Drum or beyond the Drum, rotate the Cutter handle to cut the media. Continue rotating the cutter handle so that the green home position indicator appears in the cut out.
4. If the leading edge of the media has reached the Fuser Unit, open the Exit Cover and remove the jammed media by rotating the Fuser Handle.
5. Release the Down Lock while holding the handle of Inner Transport Assembly and lift it up gently until it stops. Then twist the handle to the left to move the transport to the home position. Finally, turn the handle to the right to lock the transport.



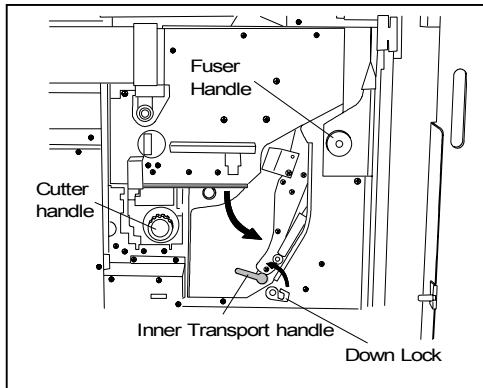
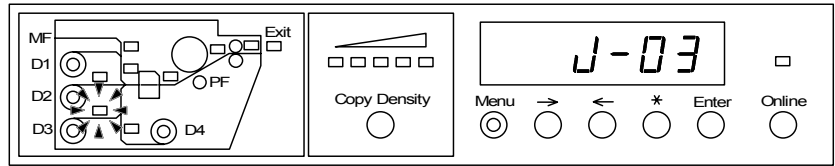
6. Manually rewind the roll until the lead edge of the media is free of the feed rollers.
7. Trim the lead edge of the roll square to remove any torn or wrinkled media by using the "Slit" if necessary.



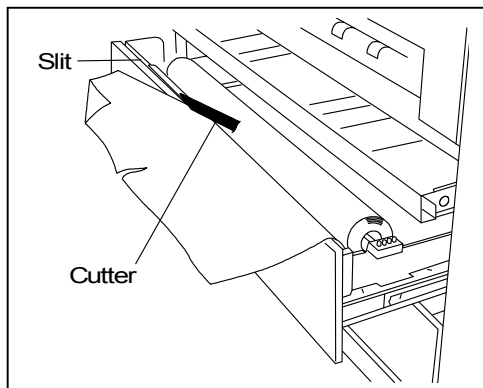
8. Insert the lead edge of the media between the upper and lower feed rollers.
9. Rotate the lower feed roller by hand in order to feed an inch of media between the feed rollers.
10. Press the [Online] Key to take the printer Offline (LED Off).
11. Push in the drawer until it is closed and latched.
12. If the leading edge is not sufficiently square, perform the automatic Initial Cut by pressing the [Select] key to select the appropriate drawer, and then pressing [Cut] key. Approximately 9.5" (240mm) media will be cut and fed from the printer.
13. Press the [Online] key to return the printer Online (LED On).

Clearing Media Jam (J-03)

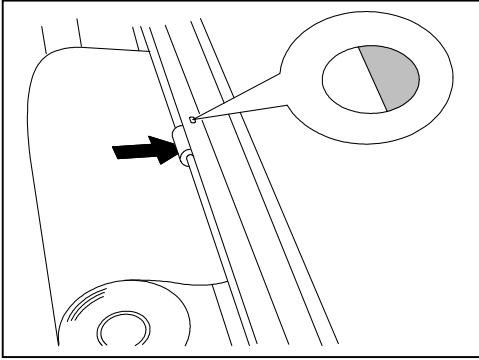
When a jam J-03 occurs, the media jams while feeding from Roll 3 in the bottom drawer.



1. Open the bottom drawer.
2. Open the Right Side Door and turn the Inner Transport Assembly handle to release the transport. Lower and lock the transport by engaging the Down Lock.
3. If the media is not cut and the leading edge of the media has reached the Drum or beyond the Drum, rotate the Cutter handle to cut the media. Continue rotating the cutter handle so that the green home position indicator appears in the cut out
4. If the leading edge of the media has reached the Fuser Unit, open the Exit Cover and remove the jammed media by rotating the Fuser Handle.
5. Release the Down Lock while holding the handle of Inner Transport Assembly and lift it up gently until it stops. Then twist the handle to the left to move the transport to the home position. Finally, turn the handle to the right to lock the transport.



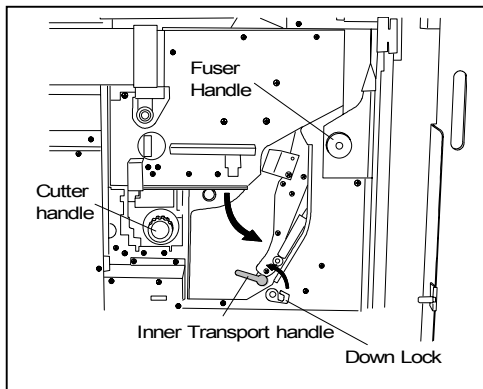
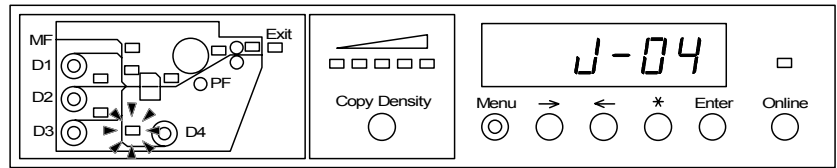
6. Manually rewind the roll until the lead edge of the media is free of the feed rollers.
7. Trim the lead edge of the roll square to remove any torn or wrinkled media by using the "Slit" if necessary.



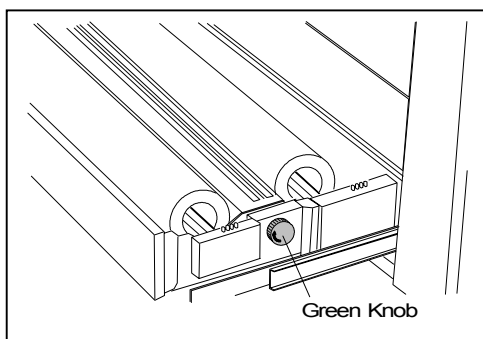
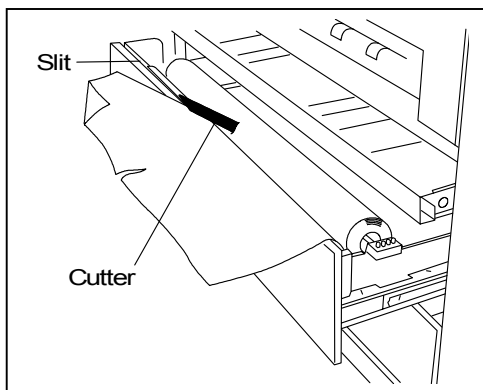
8. Insert the lead edge of the media between the upper and lower feed rollers.
9. Rotate the lower feed roller by hand until the lead edge of the media is visible in the center of the viewing hole.
10. Press the [Online] Key to take the printer Offline (LED Off).
11. Push in the drawer until it is closed and latched.
12. If the leading edge is not sufficiently square, perform the automatic Initial Cut by pressing the [Select] key to select the appropriate drawer, and then pressing [Cut] key. Approximately 9.5" (240mm) media will be cut and fed from the printer.
13. Press the [Online] key to return the printer Online (LED On).

Clearing Media Jam (J-04)

When a jam J-04 occurs, the media jams while feeding from Roll 4 in the bottom drawer.



1. Open the bottom drawer.
2. Open the Right Side Door and turn the Inner Transport Assembly handle to release the transport. Lower and lock the transport by engaging the Down Lock.
3. If the media is not cut and the leading edge of the media has reached the Drum or beyond the Drum, rotate the Cutter handle to cut the media. Continue rotating the cutter handle so that the green home position indicator appears in the cut out.
4. If the leading edge of the media has reached the Fuser Unit, open the Exit Cover and remove the jammed media by rotating the Fuser Handle.
5. Release the Down Lock while holding the handle of Inner Transport Assembly and lift it up gently until it stops. Then twist the handle to the left to move the transport to the home position. Finally, turn the handle to the right to lock the transport.
6. Manually rewind the roll until the lead edge of the media is free of the feed rollers.
7. Trim the lead edge of the roll square to remove any torn or wrinkled media by using the "Slit" if necessary.

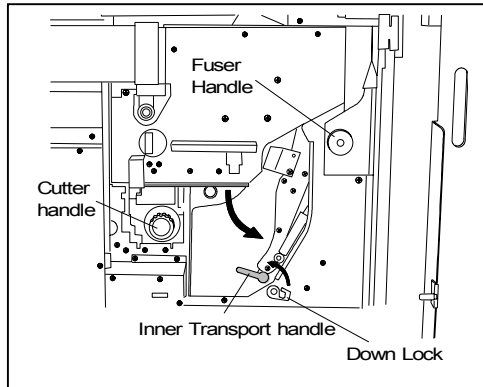
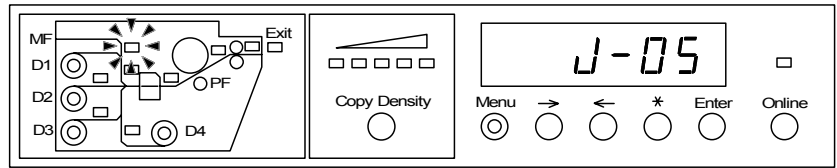


8. Insert the lead edge of the media between the upper and lower feed rollers.
9. Rotate the green knob in the clockwise direction in order to feed an inch of media between the feed rollers.
10. Press the [Online] Key to take the printer Offline (LED Off).
11. Push in the drawer until it is closed and latched. If the leading edge is not sufficiently square, perform the automatic Initial Cut by pressing the [Select] key to select the appropriate drawer, and then pressing [Cut] key. Approximately 9.5" (240mm) media will be cut and fed from the printer.

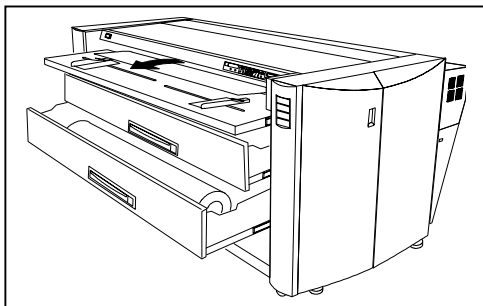
12. Press the [Online] key to return the printer Online (LED On).

Clearing Media Jam (J-05)

When a jam J-05 occurs, the media jams while feeding from the Manual Bypass Shelf.



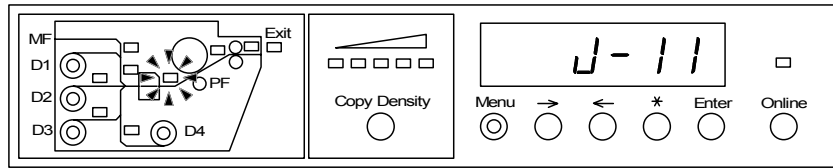
1. Open the Right Side Door and turn the Inner Transport Assembly handle to release the transport. Lower and lock the transport by engaging the Down Lock.
2. If the media is not cut and the leading edge of the media has reached the Drum or beyond the Drum, rotate the Cutter handle to cut the media. Continue rotating the cutter handle so that the green home position indicator appears in the cut out.
3. If the leading edge of the media has reached the Fuser Unit, open the Exit Cover and remove the jammed media by rotating the Fuser Handle.
4. Release the Down Lock while holding the handle of Inner Transport Assembly and lift it up gently until it stops. Then twist the handle to the left to move the transport to the home position. Finally, turn the handle to the right to lock the transport.



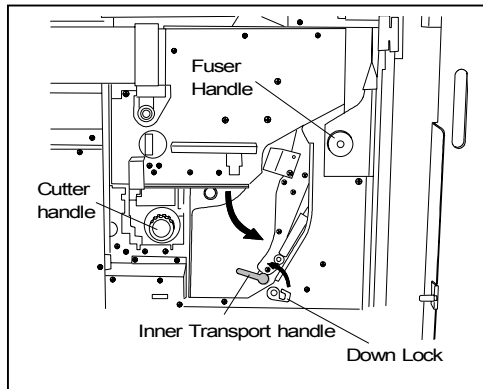
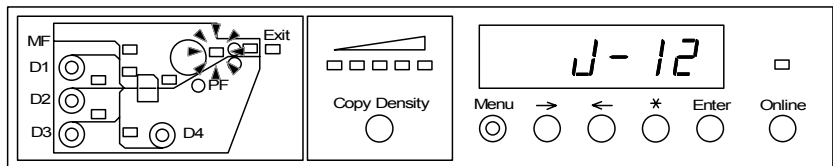
5. Pull to open the top drawer, middle drawer, and Manual Bypass Shelf.
6. Remove any media from the inside of the printer.
7. Close and latch the drawers and Manual Bypass Shelf.
8. Reload the media on the Manual Bypass Shelf, curl side down.

Clearing Media Jam (J-11 & J-12)

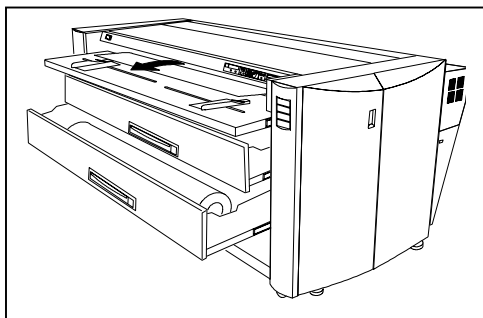
When a jam J-11 occurs, the media jams on the Inner Transport Assembly.



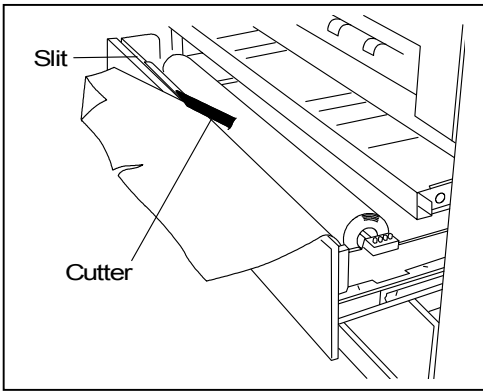
When a jam J-12 occurs, the media jams underneath the Drum.



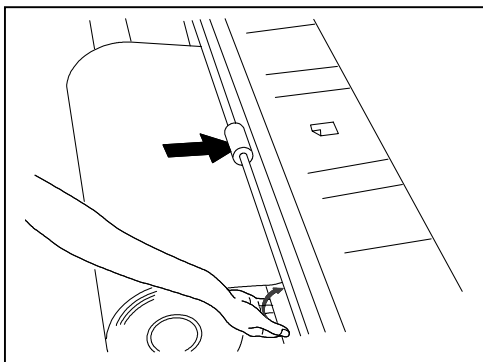
1. Open the Right Side Door and turn the Inner Transport Assembly handle to release the transport. Lower and lock the transport by engaging the Down Lock.
2. If the media is not cut and the leading edge of the media has reached the Drum or beyond the Drum, rotate the Cutter handle to cut the media. Continue rotating the cutter handle so that the green home position indicator appears in the cut out.
3. Open the Manual Bypass Shelf, Drawer 1 and Drawer 2 in order to clear the jammed media.
4. If the leading edge of the media has reached the Fuser Unit, open the Exit Cover and remove the jammed media by rotating the Fuser Handle.
5. Release the Down Lock while holding the handle of Inner Transport Assembly and lift it up gently until it stops. Then twist the handle to the left to move the transport to the home position. Finally, turn the handle to the right to lock the transport.



6. Rewind the jammed roll until the lead edge of the media comes free of the feed rollers.



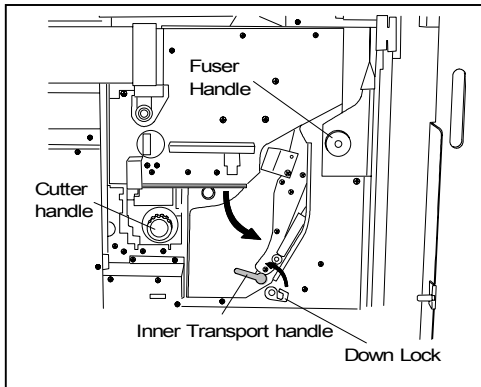
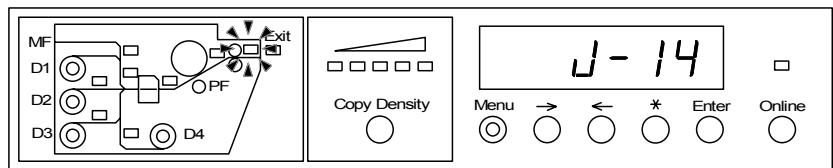
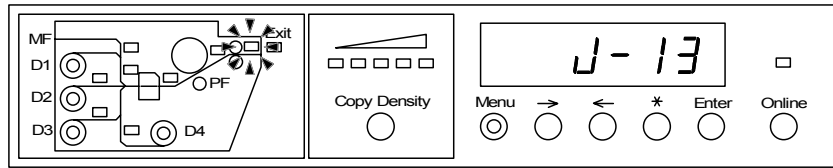
7. Trim the lead edge of the roll square to remove any torn or wrinkled media by using the "Slit" if necessary.



8. Insert the lead edge of the media between the upper and lower feed rollers and feed an inch of media between the feed rollers.
9. **Roll 3 only:** Rotate the lower feed roller by hand until the lead edge is visible in the center of the viewing hole.
10. Push in the drawer until it is closed and latched.
11. If the leading edge is not sufficiently square, perform the automatic Initial Cut by pressing the [Select] key to select the appropriate drawer, and then pressing [Cut] key. Approximately 9.5" (240mm) media will be cut and fed from the printer.

Clearing Media Jam (J-13 & J-14)

When a jam J-13 or J-14 occurs, the media jams in the Fuser Section.

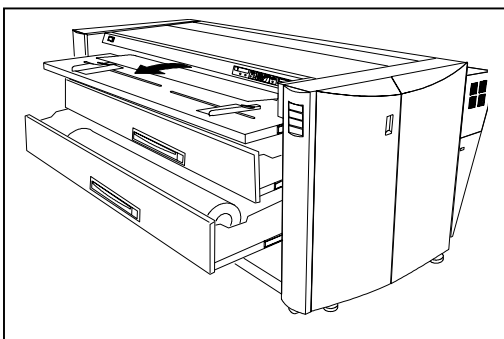


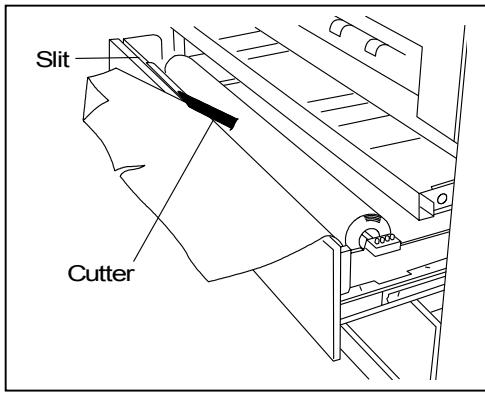
1. Open the Right Side Door and turn the Inner Transport Assembly handle to release the transport. Lower and lock the transport by engaging the Down Lock.
2. If the media is not cut and the leading edge of the media has reached the Drum or beyond the Drum, rotate the Cutter handle to cut the media. Continue rotating the cutter handle so that the green home position indicator appears in the handle cut out.
3. If the leading edge of the media has reached the Fuser Unit, open the Exit Cover.

WARNING

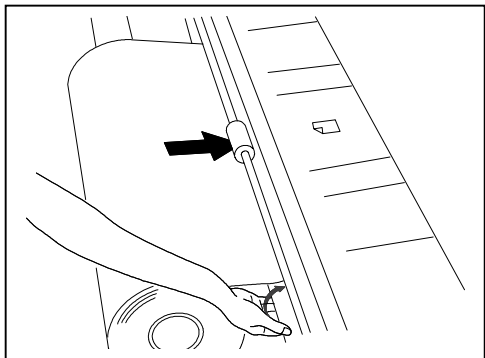
There are sharp edges on the Separation Fingers that rest against the drum in the 3 o'clock position. Exercise caution when reaching for the lead edge of the media.

4. Grasp the lead edge of the media.
5. Rotate the Fuser Handle while pulling on the media.
6. Release the Down Lock while holding the handle of Inner Transport Assembly and lift it up gently until it stops. Then twist the handle to the left to move the transport to the home position. Finally, turn the handle to the right to lock the transport.
6. Open the Manual Bypass Shelf or drawer in order to clear the jammed media.
7. Rewind the jammed roll until the lead edge of the media comes free of the feed rollers.





8. Trim the lead edge of the roll square to remove any torn or wrinkled media by using the "Slit" if necessary.



9. Insert the lead edge of the media between the upper and lower feed rollers and feed an inch of media between the feed rollers.

10. **Roll 3 only:** Rotate the lower feed roller by hand until the lead edge is visible in the center of the viewing hole.

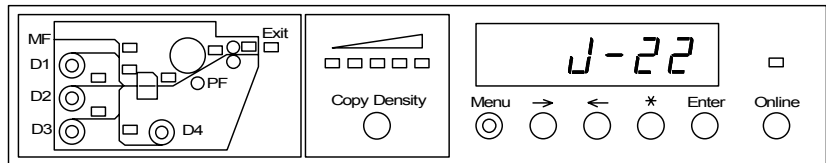
11. Press the [Online] Key to take the printer Offline (LED Off).

12. Push in the drawer until it is closed and latched.

13. If the leading edge is not sufficiently square, perform the automatic Initial Cut by pressing the [Select] key to select the appropriate drawer, and then pressing [Cut] key. Approximately 9.5" (240mm) media will be cut and fed from the printer.

14. Press the [Online] Key to return the printer Online (LED On).

Clearing Media Jam (J-22)

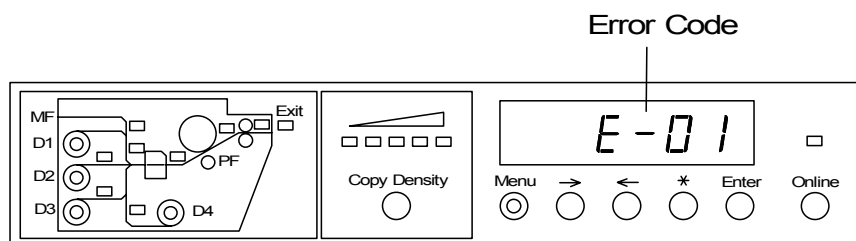


1. Remove the jammed media from the Stacker.

Error Codes

Printer Errors (E-XX)

When a printer error “E-XX” occurs, follow the instructions below and check the entire paper path for jams. If the problem cannot be solved, follow the “Calling For Service” instructions located at the end of this chapter.

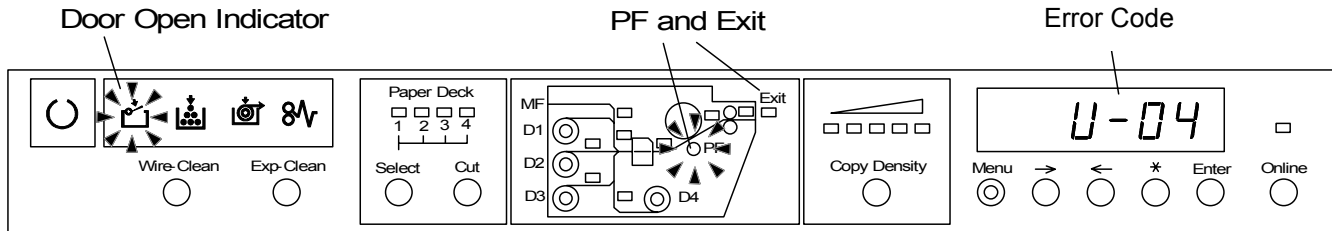


Error Code	Cause	Treatment
E-01	There is a problem with the fuser temperature.	Press power off, then on. If problem still exists, call for service.
E-02	The fuser is over-temperature.	Press power off, then on. If problem still exists, call for service.
E-05	There is a drum motor error.	Clear all jams from the printer then press power off, then on. If problem still exists, call for service.
E-06	There is a problem with the printer.	Press power off, then on. If problem still exists, call for service.
E-07	There is a cutter motor error.	Clear all jams from the printer then rotate the cutter handle so that the green indicator is in the cutout. Press power off, then on. If problem still exists, call for service.
E-13	There is a paper feed motor error.	Clear all jams from the printer then press power off, then on. If problem still exists, call for service.
E-14	There is a fuser motor error.	Press power off, then on. If problem still exists, call for service.
E-16	There is a wire cleaning motor error.	Press power off, then on. Perform the wire cleaning procedure again. If problem still exists, call for service.
E-21	There is a fuser thermostat error.	Press power off, then on. If problem still exists, call for service.
E-23	There is an LED Head cleaning error.	Press power off, then on. Perform the LED Head cleaning procedure again. If problem still exists, call for service.
E-49	There is a developer position motor error.	Press power off, then on. If problem still exists, call for service.

Door Open Errors (U-XX)

When the printer experiences a door open error, the following occurs:

- The Door Open Indicator flashes orange.
- An error code “U-XX” flashes.
- For codes U-04 or U-14, the location of the open door is also shown by PF or EXIT.



Error Code	Cause	Treatment
U-01	The Upper Drawer is open.	Open and close the Upper Drawer.
U-02	The Middle Drawer is open.	Open and close the Middle Drawer.
U-03	The Lower Drawer is open.	Open and close the Lower Drawer.
U-04	The Inner Transport is open.	Close the Inner Transport. Note: When you turn the latch, confirm that it is locked.
U-06	Left Door is open.	Close the Left Door.
U-11	Manual Bypass Shelf is open.	Open and close the Manual Bypass Shelf.
U 10	A interlock is open.	Reset the Manual Bypass Shelf, Right Door, Top Rear Cover, Exit Cover
U-12	Right Door is open.	Close the Right Side Door.
U-13	Top Rear Cover is open.	Close the Top Rear Cover.
U-14	Exit Cover is open.	Close the Exit Cover.

Thumping Noise in Standby

After 30 minutes of no use, the printer will reset the developer motor and enter an idle state. A loud “thump” noise will be heard as the motor resets. This is normal.

Image Quality Problem Solving

Use the chart below as an aid to identifying and solving a variety of image quality problems.

Problem	Cause	Solution
Portions of the prints are deleted	Media may be damp	<ol style="list-style-type: none"> 1. Check/replace the media 2. Ensure media is stored in a bag 3. Enable media heaters.
Prints are light overall	The print density is too light	<ol style="list-style-type: none"> 1. Increase the print density 2. Check toner supply
	The image LED Print Head and charge wire may be dirty	<ol style="list-style-type: none"> 1. Press the exposure and wire clean buttons
Wrinkles on Tracing Paper	Media may be too dry	<ol style="list-style-type: none"> 1. Ensure media is stored in a bag 2. Disable media heaters.
Lines or banding on prints in the print direction	The image LED Print Head may be dirty	<ol style="list-style-type: none"> 1. Press the exposure clean button
Light or fuzzy image on film	Film characteristic	<ol style="list-style-type: none"> 1. Refer to User Mode 6 and change the detach lamp control setting
Trail edge deletions	Media	<ol style="list-style-type: none"> 1. Check/replace the media
	Image too close to trail edge	<ol style="list-style-type: none"> 1. Adjust image size away from trail edge. 2. Increase the trail edge margin setting using AccXES tools

This page is intentionally blank

7.

User Modes

This chapter provides information for the 11 User Modes available on the Xerox Wide Format 721P Printer.

User Mode 1: Test Print

User Mode 2: Date and Time

User Mode 3: Low Power Saver Mode

User Mode 4: High Power Saver Mode

User Mode 5: Media Cut At power on

User Mode 6: Detack Lamp Control Mode

User Mode 7: Attention Beeper Enable

User Mode 8: Custom Setting - Plain Paper

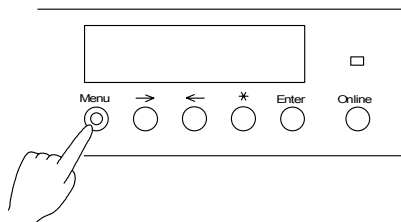
User Mode 9: Custom Setting – Vellum/Tracing Paper

User Mode A: Custom Setting – Film

User Mode b: Image Enhancement

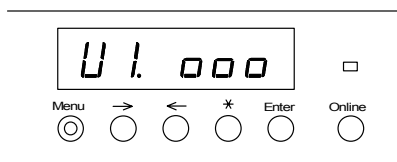
User Mode 1 (Test Print) “U1”

An electronically stored test print can be printed. The pattern of the test print and the width of the test print are preset and cannot be changed



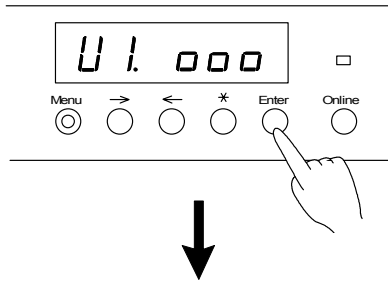
1. To enter User Mode 1:

Press the [Menu] Key once when the printer is in the Standby (idle) Mode. The [Menu] Key lights green and the left side of the Status Display indicates “U1” flashing.

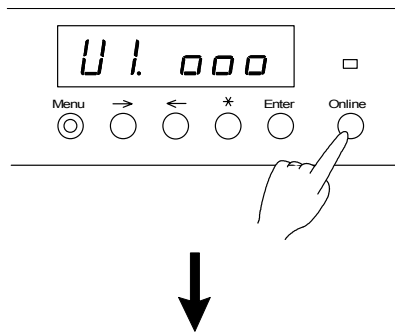
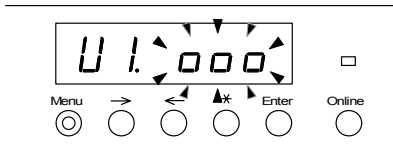


2. The right side of the Status Display indicates the test print status.

- - - (on steady): Test print mode is not available, printer warming
- 000 (on steady): Test print is available.
- 000 (flashing): Test print in process

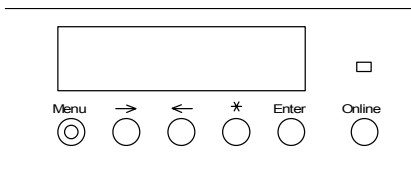


3. Press the [Enter] Key when “000” on the Status Display is on steady.
The test print begins and “000” on the Status Display flashes.



When the printer finishes the test print, “000” on the Status Display stops flashing.

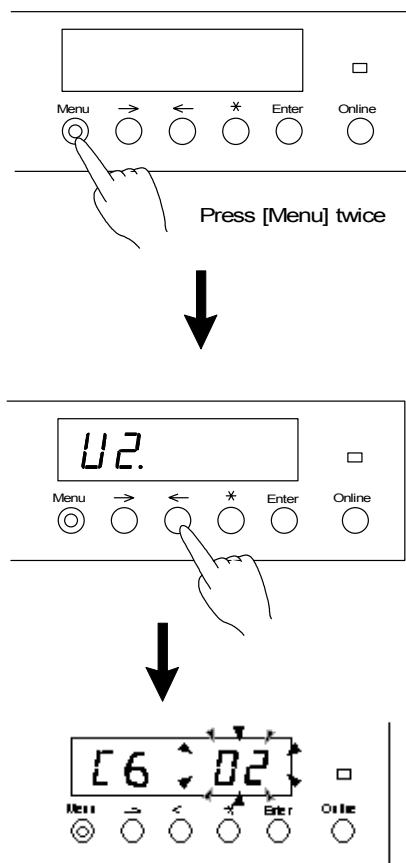
4. Press the [Online] Key to exit the User Mode.



User Mode 2 (Date and Time setting) "U2"

Enter User Mode 2 to set the correct date and time.

Note: Although there will be no performance problems if the date and time are incorrect, the printer automatically records the date and time errors occur. This information can be critical for service problem solving. It is recommended the date and time be set correctly.



1. To enter User Mode 2:

Press the [Menu] Key twice when the printer is in the Standby (idle) Mode.

The [Menu] Key lights green and the Status Display indicates "U2." flashing on the left side of the display.

2. Press the [<--] Key.

C6 appears in the left side of the display and the scrolling seconds time is displayed in the right side of the display. The seconds can now be changed.

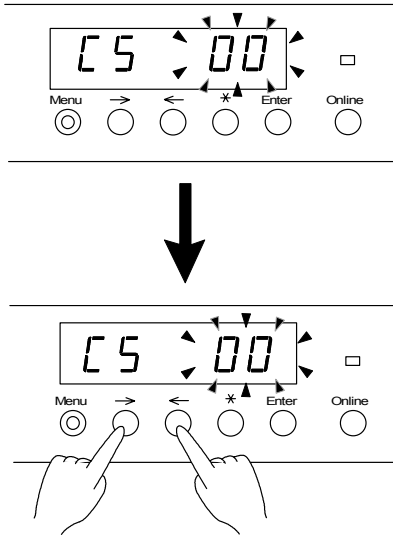
3. To change the seconds, press [Enter].

The seconds stop scrolling and begin to flash.

4. To change the value, press the [-->] Key to increase the value and [<--] Key to decrease the value.

5. Press [Enter] to store the value.

There are 6 setting locations: C6 - seconds, C5 - minutes, C4 - hour, C3 - day, C2 - month, C1 - year, in sequence with each press of the [<--] Key.



6. 3) Press the [<--] Key again to view and correct the next location, C5 – minute.

Repeat the process to change the minutes if required

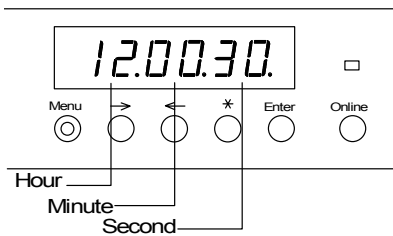
7. To change the minutes, press [Enter].

The minutes begin to flash.

8. To change the value, press the [-->] Key to increase the value and [<--] Key to decrease the value.

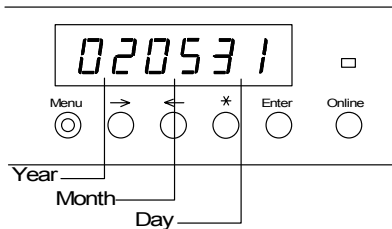
9. Press [Enter] to store the value.

Continue pressing the [<--] Key to scroll to the remainder of the setting locations and repeat the process until all of the time and date corrections have been made



After the last location has been changed (C1 – year), pressing the [<--] Key again will display the corrected time.

Example: 12:00 and 30 seconds.



Pressing the [<--] Key again will display the corrected date.

Example 2002, May 31

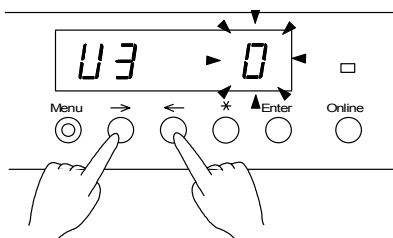
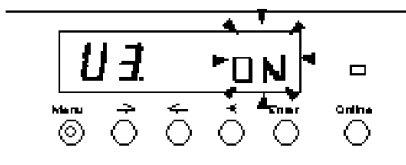
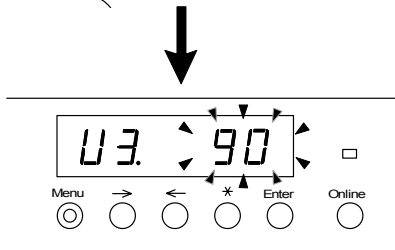
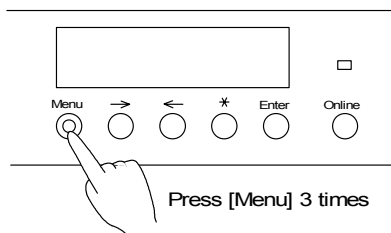
10. Press the [Online] Key to exit the User Mode.

User Mode 3 (Low Power Saver Mode) "U3"

If the Low Power Saver Mode is enabled, the printer reduces power to the Printer Fuser Assembly from 178°C to 100°C after a predetermined period of inactivity. If the printer does not receive a print job or copy job for the time selected in this mode the printer will enter the Low Power Saver Mode to save power consumption.

If a print or copy job is detected by the printer, the printer will then enter the Warm up Mode prior to the start of the job to heat the Fuser Assembly to 178°C.

The green LED Light inside of the Menu Button flashes when the printer is in a power saver mode.



1. To enter User Mode 3:

Press the [Menu] Key 3 times when the printer is in the Standby (idle) Mode.

The [Menu] Key lights green and the Status Display indicates "U3" flashing on the left side of the display. The right side of the display shows the current setting (in minutes).

2. Press [Enter]

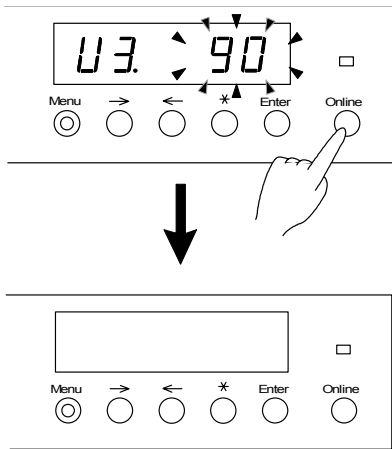
The status (on or off) is displayed. If the status is off, Low Power Saver is disabled.

To change the status, press [Enter] and then the [-->] Key or the [<--] Key.

3. Press [Enter] again for access to the time interval. The current setting (in minutes) is displayed.

The selectable ranges are 10, 15, 20, 30, 40, 50, 60, 90, 120, 180 and 240 minutes. (Factory default is On and set to 15 minutes)

To change the time, press the [-->] Key to increase) and the [<--] Key to decrease, then press [Enter] to save the data.



4. After you enter the desired time interval, press the [Online] Key to exit the User Mode.

NOTE: After 30 minutes of no use, the printer will reset the developer motor and enter an idle state. A loud “thump” noise will be heard as the motor resets. This is normal.

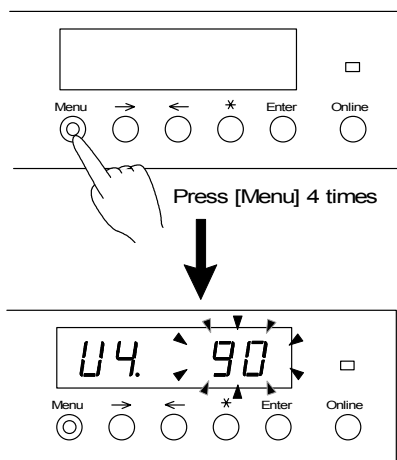
User Mode 4 (High Power Saver Mode) “U4”

When the High Power Saver Mode is enabled, the printer switches off power to the Printer Fuser Assembly after a predetermined time of inactivity. If the printer does not receive a print job or a copy job for the time selected in this mode, the printer will enter the High Power Saver Mode to save power consumption.

The High Power Saver Mode saves more power than the Low Power Saver Mode and the recovery time is longer.

If a print or copy job is detected by the printer, the printer will then enter the Warm up Mode prior to the start of the job to heat the Fuser Assembly to 178°C.

The green LED Light inside of the Menu Button flashes when the printer is in a power saver mode.

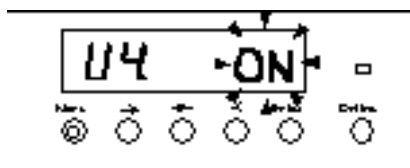


1. To enter User Mode 4:

Press the [Menu] Key 4 times when the printer is in the Standby (idle) Mode.

The [Menu] Key lights green and the Status Display indicates “U4.” Flashing on the left side of the display. The time interval is shown on the right side of the display.

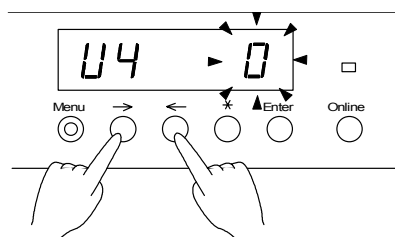
NOTE: Factory default is On and set to 90 minutes.



2. Press [Enter]

The status (on or off) is displayed. If the status is off, High Power Saver is disabled.

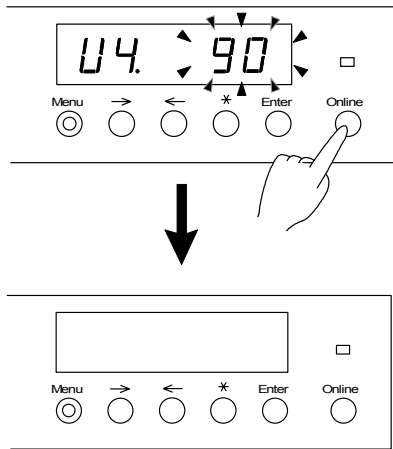
To change the status, press [Enter] and then the [-->] Key or the [<--] Key.



Press [Enter] again to gain access to the time interval.

To change the time, press [-->] Key to increase) and [<--] Key to decrease, then press [Enter] to save the data.

The display value is “minute”, and the selectable ranges are 10, 15, 20, 30, 40, 50, 60, 90, 120, 180 and 240.

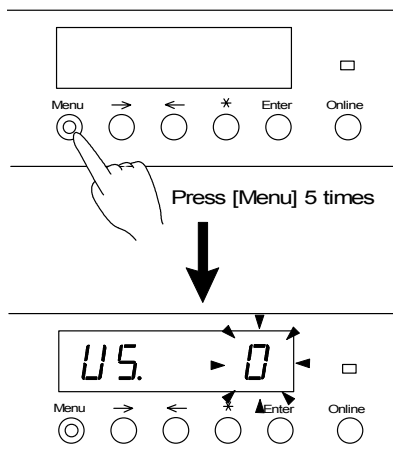


3. After you enter the desired time interval, press the [Online] Key to exit the User Mode.

NOTE: After 30 minutes of no use, the printer will reset the developer motor and enter an idle state. A loud “thump” noise will be heard as the motor resets. This is normal.

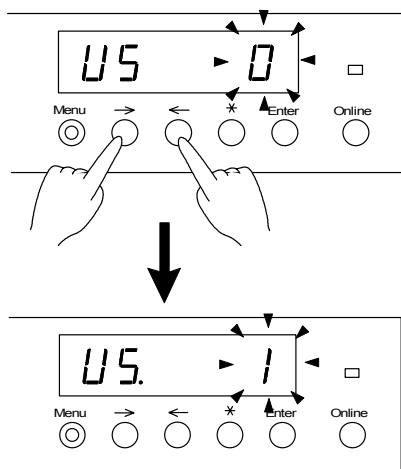
User Mode 5 (Media Cut At Power ON) “U5”

You can enable an Initial Media Cut at Printer Power On. If this feature is enabled, the printer will feed and cut 240mm of all roll media when you switch on the machine.



1. Press the [Menu] Key 5 times when the printer is in the Standby mode.

The [Menu] Key lights green and the Status Display indicates “U5” flashing in the left side of the display. The current setting (0 or 1) is displayed on the right side.



2. Press [Enter].
To change the value, press [-->] Key to increase) and [<--] Key to decrease then press [Enter] to save the data.

Selectable values are “0” and “1”.

0 is NO initial cut at Power On

1 is an initial cut will be made when the printer is turned On.

NOTE: Factory default is “0”, Off.

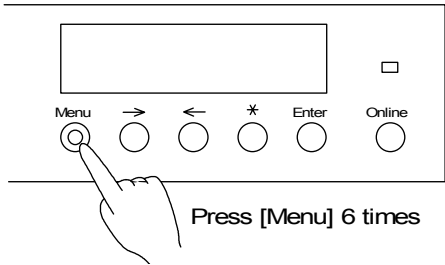
3. Press the [Online] Key to exit the User Mode.

User Mode 6 (Detack Lamp Control Mode) “U6”

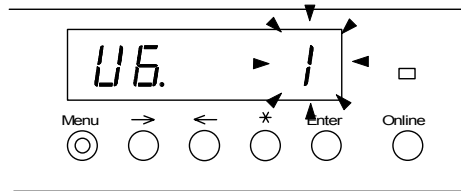
If the print quality of prints made on Film media lack sharpness or have a light overall appearance, a Detack Lamp in the print process can be switched OFF using Mode 6. This action increases the amount of Toner transferred to the print.

NOTE: If a higher than normal jam rate is experienced, the Detack Lamp may have to be switched on again.

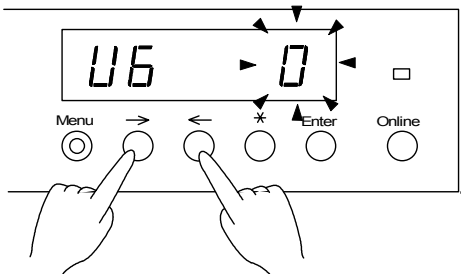
1. With the printer in the Standby (idle) condition, press the [Menu] Key 6 times to enter Mode 6.



The [Menu] Key lights and the display indicates “U6” on the left side of the display and the current setting on the right side.



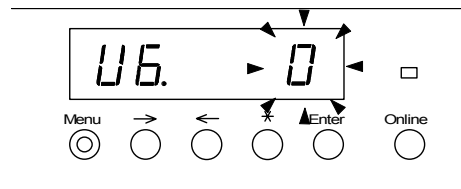
2. Press [Enter]
3. Press the [→ or ←] key to change the value to 0 (OFF)



The value in the display will change to 0 (OFF)

The range is 1 – On and 0 - Off

NOTE: Factory default is “0”, Off.



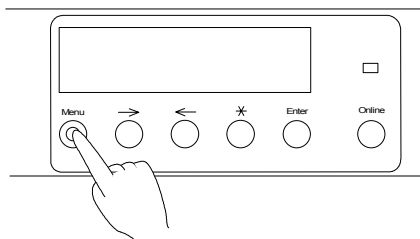
4. Press the [Online] Key to exit the User Mode.

User Mode 7 (Attention Beeper Enable Mode) "U7"

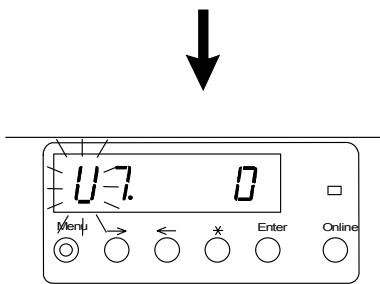
This mode controls a beeper sound whenever the printer needs attention, for example out of paper or out of toner.

The beeper will switch off when the situation is corrected. The beeper can also be temporarily switched off by pressing the * key.

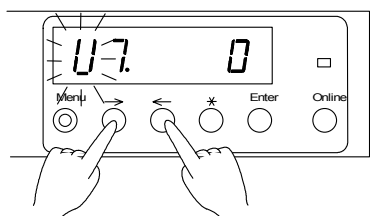
The beeper will sound during an automatic media roll switch. This is normal.



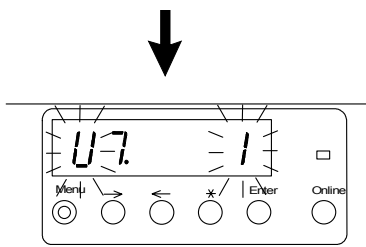
1. With the printer in the Standby (idle) condition, press the [Menu] Key 7 times to enter Mode 7.



The [Menu] Key lights and the display indicates "U7"



2. Press [Enter]
3. Press the → or ← key to change the value to 0 (Off)



Beeper ON = 1
Beeper OFF = 0

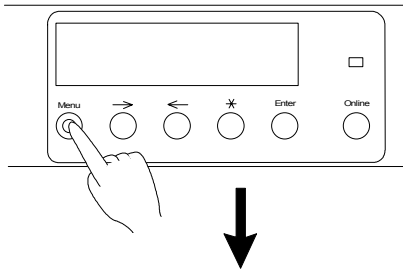
NOTE: Factory default is "1", On.

4. Press the [Enter] key to store the value.
5. Press the [Online] Key to exit the User Mode.

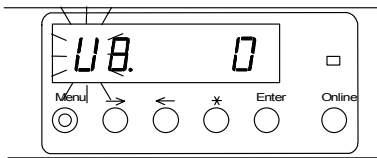
User Mode 8 (Custom Setting Plain Paper) "U8"

This mode switches between the standard setting for plain paper and the custom setting for plain paper. This feature enables the Service Representative to custom set the printer for a brand of media that has different handling characteristics.

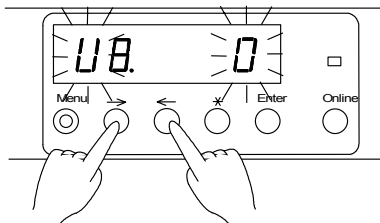
NOTE: The custom setting parameters (Fuser Temperature, Fuser Motor Speed, Lead Edge Registration etc) must first be set by the Service Representative in order to be effective.



1) With the printer in the Standby (idle) condition, press the [Menu] Key 8 times to enter Mode 8.



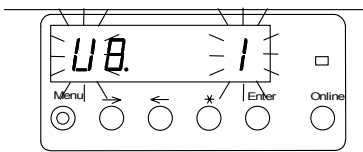
The [Menu] Key lights and the display indicates "U8"



Press [Enter]

2.) Press the → or ← key to change the value to 1 (ON)

Standard Setting - 0
Custom Setting - 1



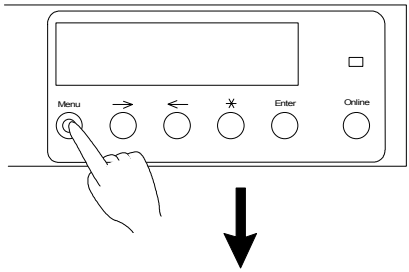
3) Press [Enter] key to store the value.

4) Press the [Online] Key to exit the User Mode.

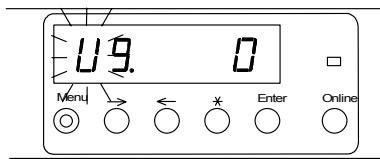
User Mode 9 (Custom Setting Vellum/Tracing Paper) "U9"

This mode switches between the standard setting for vellum/tracing paper and the custom setting for tracing paper. This feature enables the Service Representative to custom set the printer for a brand of vellum/tracing paper that has different handling characteristics.

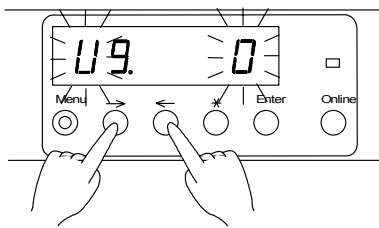
NOTE: The custom setting parameters (Fuser Temperature, Fuser Motor Speed, Lead Edge Registration etc) must first be set by the Service Representative in order to be effective.



1) With the printer in the Standby (idle) condition, press the [Menu] Key 9 times to enter Mode 9.



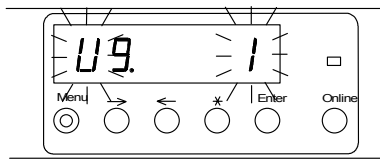
The [Menu] Key lights and the display indicates "U9"



Press [Enter]

2.) Press the → or ← key to change the value to 1 (ON)

Standard Setting - 0
Custom Setting - 1



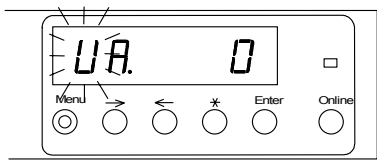
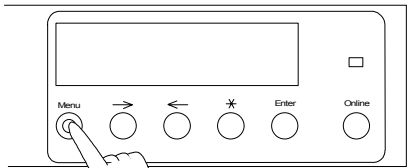
3) Press [Enter] key to store the value.

4) Press the [Online] Key to exit the User Mode.

User Mode A (Custom Setting Film) "UA"

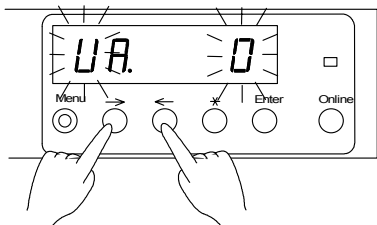
This mode switches between the standard setting for film and the custom setting for film. This feature enables the Service Representative to custom set the printer for a brand of film that has different handling characteristics.

NOTE: The custom setting parameters (Fuser Temperature, Fuser Motor Speed, Lead Edge Registration etc) must first be set by the Service Representative in order to be effective.



1) With the printer in the Standby (idle) condition, press the [Menu] Key 10 times to enter Mode A.

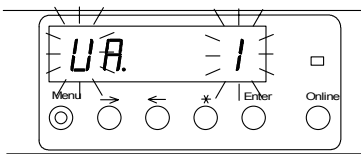
The [Menu] Key lights and the display indicates "UA"



Press [Enter]

2.) Press the → or ← key to change the value to 1 (ON)

Standard Setting - 0
Custom Setting - 1



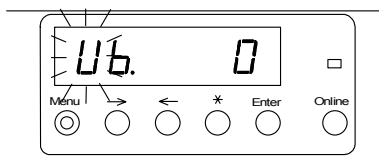
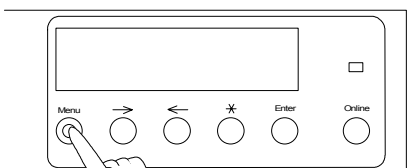
3) Press [Enter] key to store the value.

4) Press the [Online] Key to exit the User Mode.

User Mode b (Image Enhancement) “Ub”

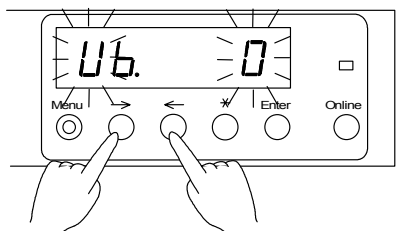
The Image Enhancement Mode is used to improve reproduction of gray scale. Increasing the setting of this feature increases the density of single pixels. There can be, however, a noticeable overall degradation in gray scale images as the setting is increased. Experimentation will be required to achieve the correct balance.

If an AccXES controller is used to print to the 721p and the version of software is 9.2 or higher, than the setting of “Ub” should have no effect on output quality. The output density can be changed on WebPMT on the AccXES controller. The setting to change the darkness of printer output is the Toner Density setting on the web page “Printer Defaults/Printer Setup/Miscellaneous”. The default setting is 5 and can be adjusted from 1 (lighter) to 10 (darker).



1) With the printer in the Standby (idle) condition, press the [Menu] Key 11 times to enter Mode b.

The [Menu] Key lights and the display indicates “Ub”



Press [Enter]

2.) Press the → or ← key to change the value:

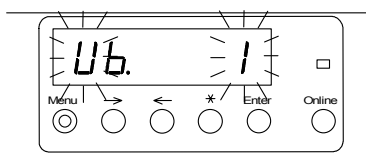
0 = No Image Enhancement

1 = Low Image Enhancement

2 = Medium Image Enhancement

3 = High Image Enhancement

NOTE: Factory default is “0”, No Enhancement



3) Press [Enter] key to store the value.

4) Press the [Online] Key to exit the User Mode.

Prepared by:
Xerox Corporation
Global Knowledge & Language Services
800 Phillips Road
Building 845-17S
Webster, New York 14580-9791
USA

©Xerox Corporation 2003, 2004. All rights reserved.

Printed in the United States of America

XEROX®, Xerox Wide Format 721P Engineering Printer,
AccXES, and acronym, XEROX, are trademarks of XEROX
CORPORATION.

701P39415 Revised 5/2004