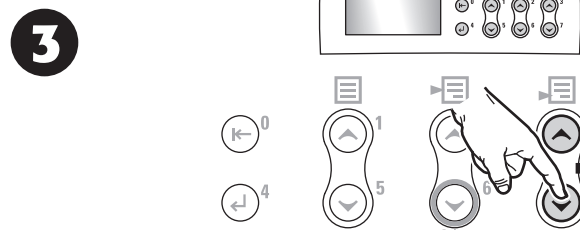
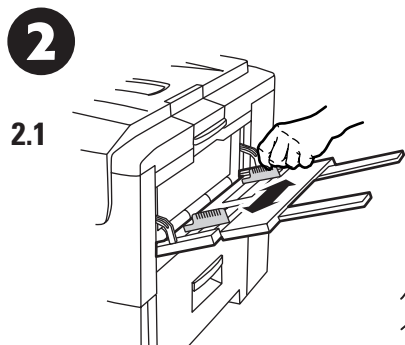
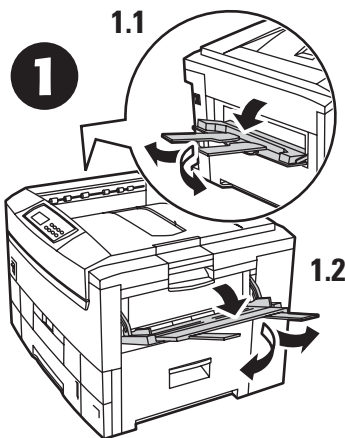


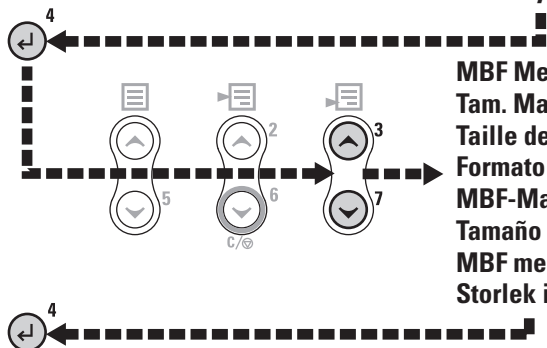


# PHASER 2135

## NETWORK COLOR PRINTER



**MBF Media Type: Phaser 2135 Transparency**  
**Tipo Material Bandeja MF: Transp. Phaser 2135**  
**Type support dans MBF : Transp. Phaser 2135**  
**Tipo supporto MBF: Trasparenti per Phaser 2135**  
**MBF-Materialart: Phaser 2135 Folie**  
**Tipo papel alim. manual: Transpar. Phaser 2135**  
**MBF mediatype: Phaser 2135 transp.**  
**Mediatyp i man. matning: Phaser 2135 overhead**



**MBF Media Size: 11 x 8.5 Letter LEF/ A4 LEF 297 x 210**  
**Tam. Material Bandeja MF: Carta 11 x 8,5" ABL/ A4 ABL 297 x 210 mm**  
**Taille de support dans MBF : 8,5 x 11 DGC/ A4 DGC 297 x 210 mm**  
**Formato supporto MBF: 11 x 8.5" Letter LEF/ A4 LEF 297 x 210 mm**  
**MBF-Materialformat: 11 x 8.5" Letter LSZ/ A4 LSZ 297 x 210 mm**  
**Tamaño papel alim manual: Carta ABL 11 x 8.5"/ A4 ABL 297 x 210 mm**  
**MBF mediagrootte: 11 x 8.5" Letter LEF/ A4 LEF 297 x 210 mm**  
**Storlek i man. matning: 11 x 8.5" Letter LSF/ A4 LSF 297 x 210 mm**

### 4

**Size: Letter / A4**  
**Type: Phaser 2135 Transparency**  
**Source: Multi-sheet bypass feeder (MBF)**

**Tamanho : Carta / A4**  
**Tipo: Transparência Phaser 2135**  
**Origem: Alimentador Manual de Folhas Múltiplas (MBF)**

**Taille : US Letter / A4**  
**Type : Transparent Phaser 2135**  
**Source : Magasin d'alimentation manuelle multifeuilles (MBF)**

**Formato: Letter / A4**  
**Tipo: Lucidi Phaser 2135**  
**Origine: Alimentatore bypass multiplo (MBF)**

**Format: Letter / A4**  
**Art: Phaser 2135 Transparentfolie**  
**Quelle: MBF-Zuführung (MBF)**

**Tamaño: Carta / A4**  
**Tipo: Transparencias Phaser 2135**  
**Origen: Alimentador especial de hojas múltiples (MBF)**

**Grootte : Letter / A4**  
**Type: Phaser 2135-transparent**  
**Bron: Multifunctionele sheetfeeder (MBF)**

**Storlek: Letter / A4**  
**Typ: Phaser 2135 Transparent**  
**Källa : Arkmatare för flera ark (MBF)**

**页面大小: Letter / A4**  
**类型: Phaser 2135 透明胶片**  
**来源: 多页旁路进纸器 (MBF)**

**页面大小: Letter / A4**  
**类型: Phaser 2135 投影片**  
**来源: 多页旁路送纸器 (MBF)**

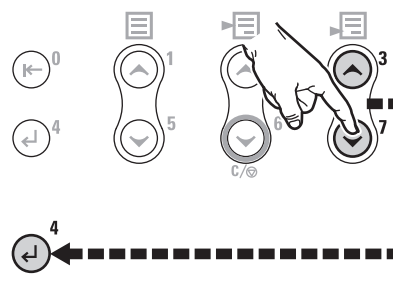
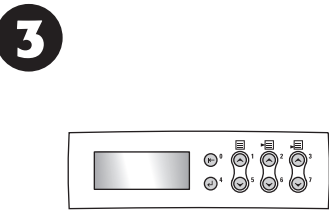
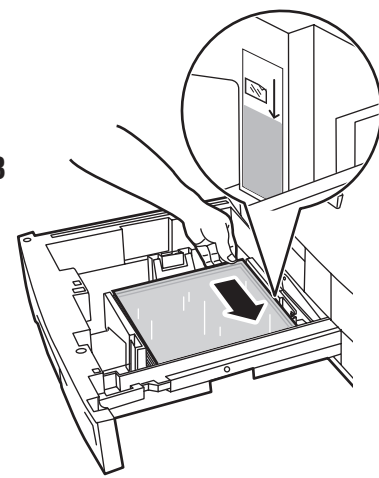
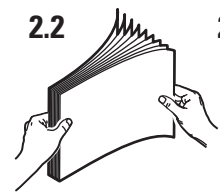
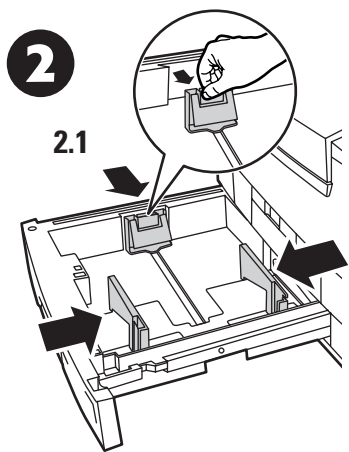
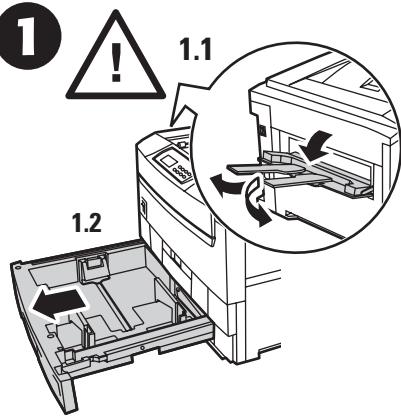
**Tektronix**  
 COLOR PRINTERS BY

**XEROX**

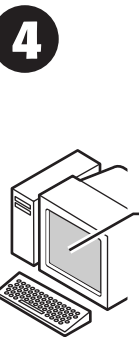


# PHASER 2135

## NETWORK COLOR PRINTER



Tray 1 Media Type: Phaser 2135 Transparency  
 Band. 1 Tipo Material: Transp. Phaser 2135  
 Bac 1 type de support: Transp. Phaser 2135  
 Tipo supporto vassoio 1: Trasparenti per Phaser 2135  
 Fach 1 Materialart: Phaser 2135 Folie  
 Tipo papel bandeja 1: Transpar. Phaser 2135  
 Lade 1 mediatype: Phaser 2135 transp.  
 Mediatyp i fack 1: Phaser 2135 overhead



Size: **Letter / A4**  
 Type: **Phaser 2135 Transparency**  
 Source: **Tray 1**

Tamanho: **Carta / A4**  
 Tipo: **Transparência Phaser 2135**  
 Origem: **Bandeja 1**

Taille : **US Letter / A4**  
 Type : **ransparent Phaser 2135**  
 Source : **Bac 1**

Formato: **Letter / A4**  
 Tipo: **Lucidi Phaser 2135**  
 Origine: **Cassetto 1**

Format: **Letter / A4**  
 Art: **Phaser 2135 Transparentfolie**  
 Quelle: **Fach 1**

Tamaño: **Carta / A4**  
 Tipo: **Transparencias Phaser 2135**  
 Origen: **Bandeja 1**

Grootte : **Letter / A4**  
 Type: **Phaser 2135-transparent**  
 Bron: **Cassette 1**

Storlek: **Letter / A4**  
 Typ: **Phaser 2135 Transparent**  
 Källa: **Fack 1**

頁面大小: **Letter / A4**  
 類型: **Phaser 2135 透明胶片**  
 來源: **紙盤 1**

頁面大小: **Letter / A4**  
 類型: **Phaser 2135 投影片**  
 來源: **紙匣 1**