

XEROX.

Quick Use Guide



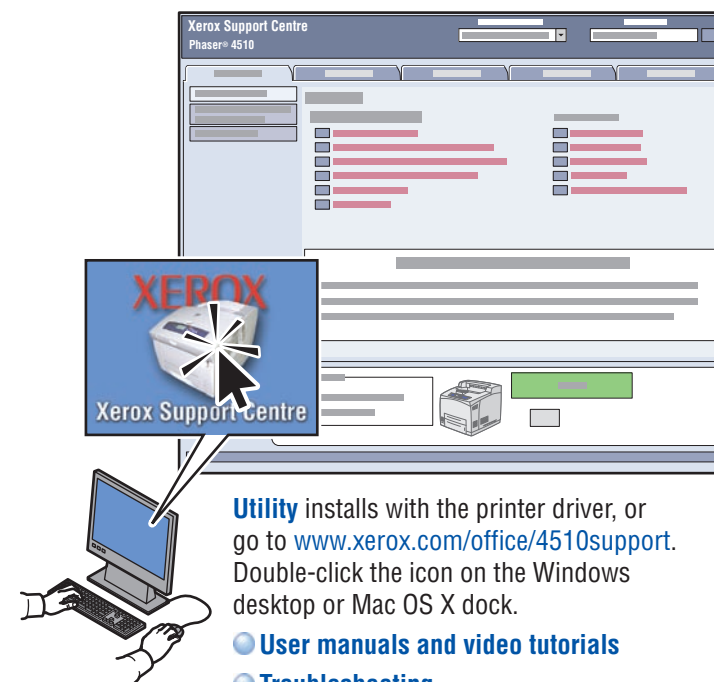
laser printer

Basic Printing
Supported Papers
Paper Jams
Supplies Info
Control Panel Buttons
Information Pages



More information

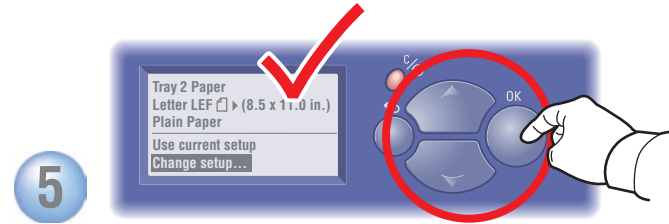
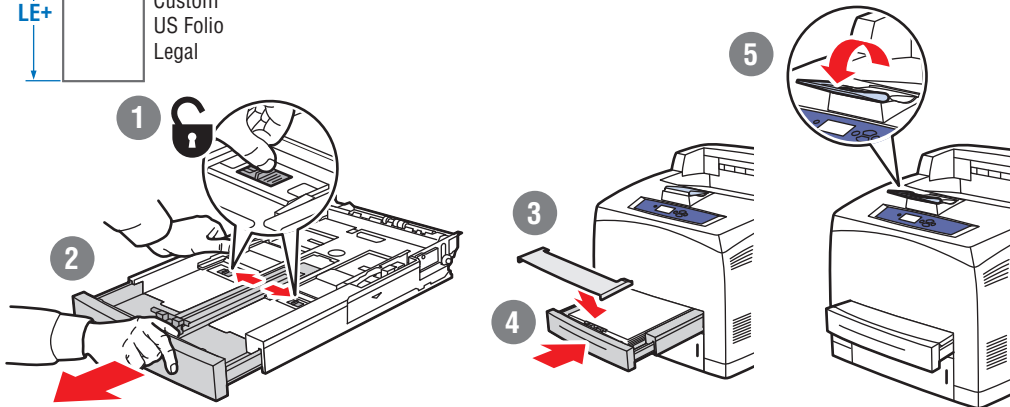
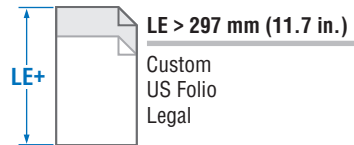
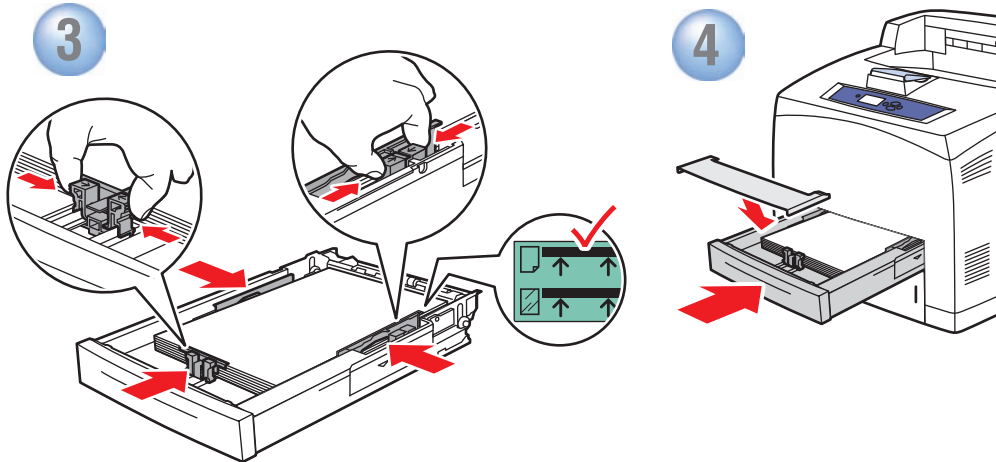
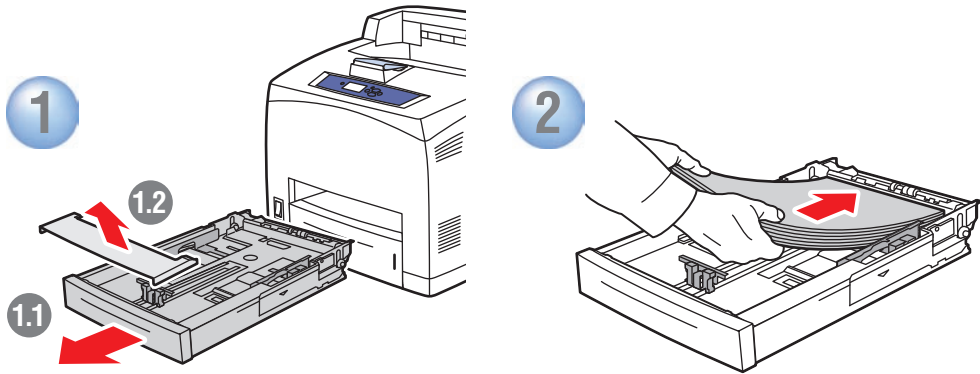
Xerox Support Centre



Utility installs with the printer driver, or go to www.xerox.com/office/4510support. Double-click the icon on the Windows desktop or Mac OS X dock.

- **User manuals and video tutorials**
- **Troubleshooting**
- **Printer and supplies status**
- **User safety**
- **Material Safety Data Sheets**

Basic Printing



5 When loading paper: Select appropriate settings on the control panel.

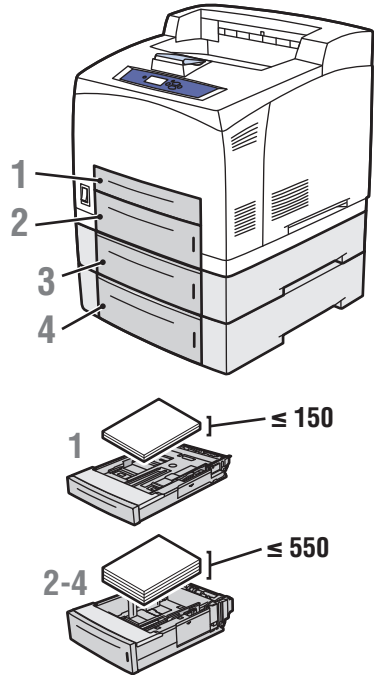
Auto-Sensed sizes	
A5.....	148 x 210 mm
A4.....	210 x 297 mm
DL Envelope.....	110 x 220 mm
Letter.....	8.5 x 11.0 in.
US Folio.....	8.5 x 13.0 in.
Legal.....	8.5 x 14.0 in.
#10 Commercial Envelope...	9.5 x 14.12 in.

User-Selected sizes	
A6.....	(105 x 148 mm)
ISO B5.....	(176 x 250 mm)
B5 JIS.....	(182 x 257 mm)
DL Envelope.....	(110 x 220 mm)
C5 Envelope.....	(162 x 229 mm)
B5 Envelope.....	(176 x 250 mm)
Custom.....	(SE) x (LE)
Index Card.....	(3.0 x 5.0 in.)
Statement.....	(5.5 x 8.5 in.)
Executive.....	(7.25 x 10.5 in.)
Monarch Envelope.....	(3.87 x 7.5 in.)
#10 Commercial Envelope...	(9.5 x 14.12 in.)



6 When Printing: Select properties. Use Xerox printer driver.

Supported Papers



Tray 1-4	
	64 – 216 g/m ² (17 lb. Bond – 80 lb. Cover)
A6	105 x 148 mm
A5	148 x 210 mm
A4	210 x 297 mm
ISO B5	176 x 250 mm
B5 JIS	182 x 257 mm
Index Card	3 x 5 in.
Statement	5.5 x 8.5 in.
Executive	7.25 x 10.5 in.
Letter	8.5 x 11.0 in.
US Folio	8.5 x 13.0 in.
Legal	8.5 x 14.0 in.
DL	110 x 220 mm
C5	162 x 229 mm
B5	176 x 250 mm
#10 Commercial	4.12 x 9.5 in.
Monarch	3.87 x 7.5 in.
Custom	(SE) x (LE)

Tray 1

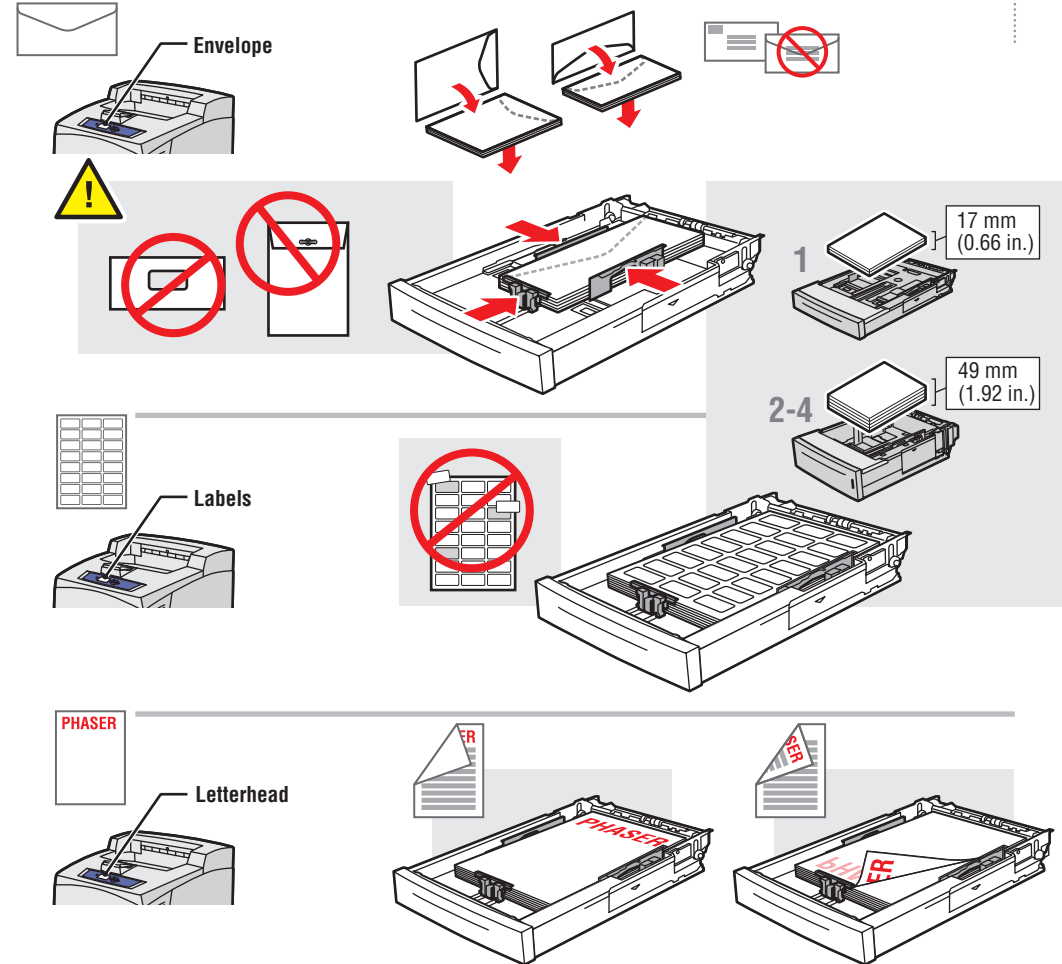
Tray 2-4

LE+

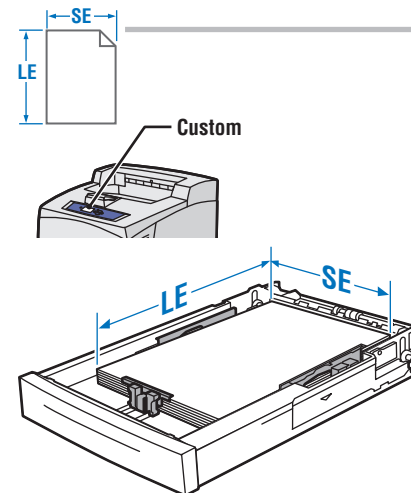
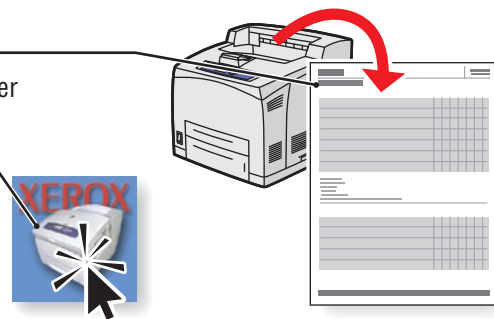
LE > 297 mm / 11.7 in.

LE

SE



- Print the Paper Tips page for more information.
- See the [Printing Basics](#) chapter in the *User Guide*.

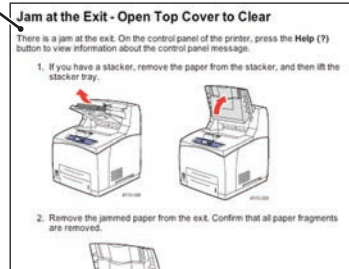


Tray 1			
SE	76 – 216 mm (3.0 – 8.5 in.)		89 – 216 mm (3.5 – 8.5 in.)
	127 – 356 mm (5.0 – 14.0 in.)		140 – 356 mm (5.5 – 14.0 in.)
Trays 2-4			
SE	98 – 216 mm (3.9 – 8.5 in.)		98 – 216 mm (3.9 – 8.5 in.)
	148 – 356 mm (5.8 – 14.0 in.)		148 – 356 mm (5.8 – 14.0 in.)

Paper Jams

- Press **Help Button** for jam clearing procedures.

- View **PrintingScout™** message or see the **Troubleshooting** chapter in the *User Guide*.



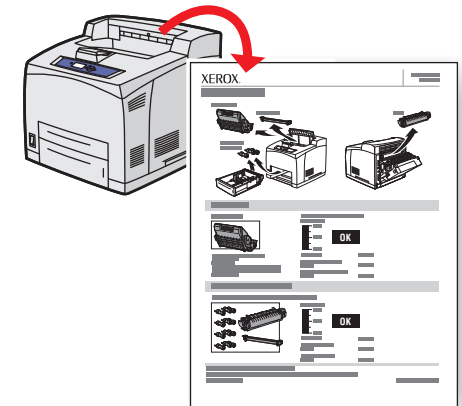
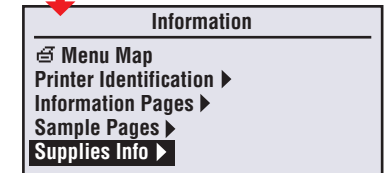
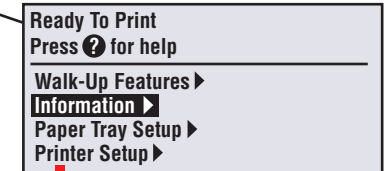
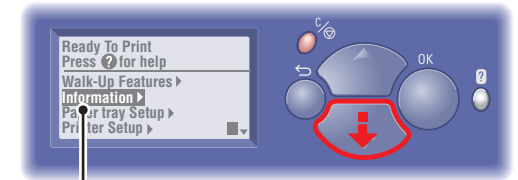
Supplies Info

For Supplies Information:

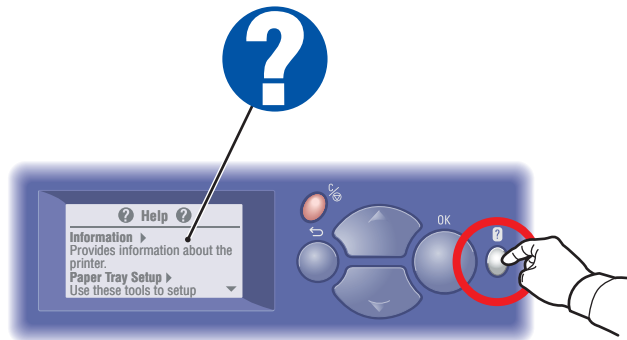
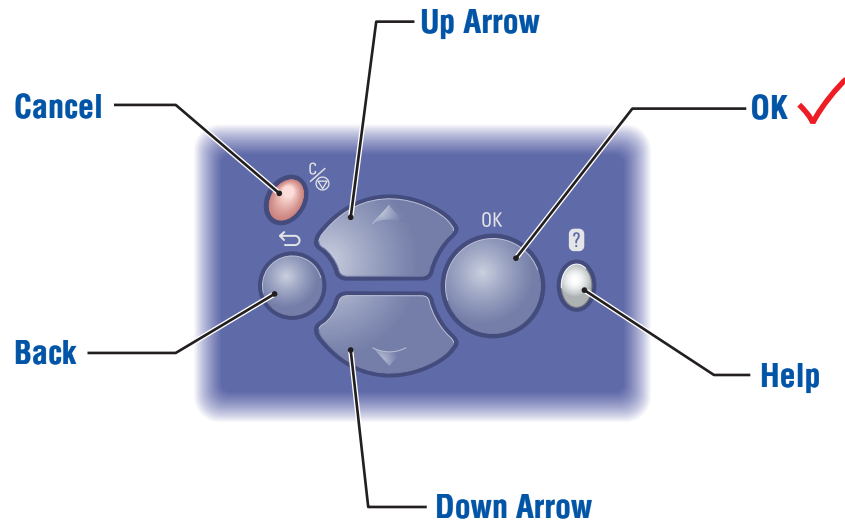
- See the **Supplies Info** menu and print the Supplies Usage page.
- See the **Supplies** tab in the Xerox Support Centre, contact your local reseller, or visit the Xerox Supplies website.



www.xerox.com/office/4510supplies

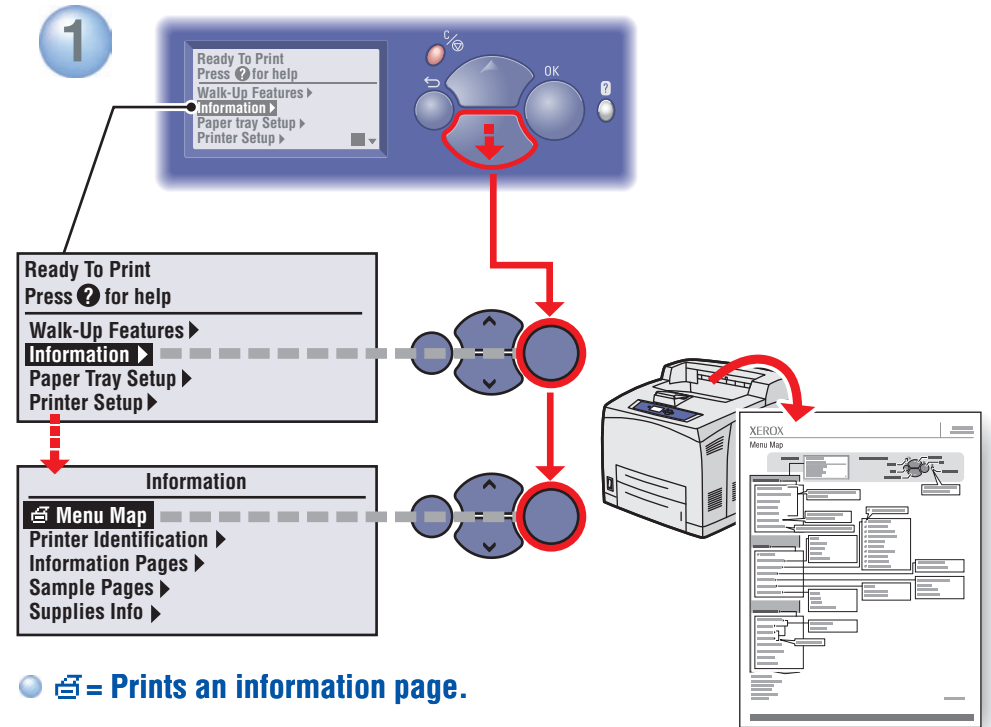


Control Panel Buttons



Help Button: Press at any time to display additional information about the message or menu.

Information Pages



☰ = Prints an information page.

