



安装指南



© 2002 Xerox Corporation 版权所有。保留所有权利。按美国版权法保留未公布的权利。未经 Xerox Corporation 许可，不得以任何形式复制本出版物内容。

版权保护的声明内容包括由法令或法规目前允许或今后准予的，可受版权法保护的材料和信息的所有形式的内容，包括但不限于由软件程序产生并显示在屏幕上的材料，诸如样式、模板、图标、屏幕显示和外观等。

XEROX®、Document Company®、特定样式的字母 X、CentreWare®、DocuPrint®、Made For Each Other®、Phaser®、PhaserShare®、the TekColor® 图标和 WorkSet® 均为 Xerox Corporation 的注册商标。infoSMART™、PhaserPort™、PhaserPrint™、PhaserSMART™、PhaserSym™、PhaserTools™ 和 TekColor™ 名称均为 Xerox Corporation 的商标。

Adobe®、Acrobat®、Acrobat® Reader®、Illustrator®、PageMaker®、Photoshop®、PostScript®、ATM®、Adobe Garamond®、Birch®、Carta®、Mythos®、Quake® 和 Tekton® 均为注册商标，Adobe Jenson™、Adobe Brilliant Screens™ technology 和 IntelliSelect™ 为 Adobe Systems Incorporated 或其子公司在某些辖区注册的商标。

Apple®、LaserWriter®、LocalTalk®、Macintosh®、Mac® OS、AppleTalk®、TrueType2®、Apple Chancery®、Chicago®、Geneva®、Monaco® 和 New York® 均为注册商标，而 QuickDraw™ 是 Apple Computer Incorporated 的商标。

Marigold™ 和 Oxford™ 为 AlphaOmega Typography 的商标。

Avery™ 为 Avery Dennison Corporation 的商标。

PCL® 和 HP-GL® 为 Hewlett-Packard Corporation 的注册商标。

Hoefer Text 由 Hoefer Type Foundry 设计。

ITC Avant Guard Gothic®、ITC Bookman®、ITC Lubalin Graph®、ITC Mona Lisa®、ITC Symbol®、ITC Zapf Chancery® 和 ITC Zapf Dingbats® 为 International Typeface Corporation 的注册商标。

Bernhard Modern™、Clarendon™、Coronet™、Helvetica™、New Century Schoolbook™、Optima™、Palatino™、Stempel Garamond™、Times™ 和 Univers™ 为 Linotype-Hell AG 和 / 或其子公司的商标。

MS-DOS® 和 Windows® 为 Microsoft Corporation 的注册商标。

TrueType® 格式的 Wingdings™ 为 Microsoft Corporation 的产品。WingDings 为 Microsoft Corporation 的商标，TrueType 为 Apple Computer, Inc 的注册商标。

Albertus™、Arial™、Gill Sans™、Joanna™ 和 Times New Roman™ 为 Monotype Corporation 的商标。

Antique Olive® 为 M.Olive 的注册商标。

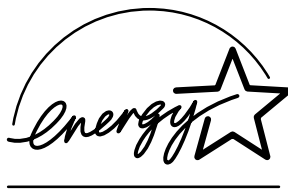
Eurostile™ 为 Nebiolo 的商标。

Novell® 和 NetWare® 为 Novell, Incorporated 的注册商标。

Sun® 和 Sun Microsystems® 为 Sun Microsystems, Incorporated 的注册商标。SPARC® 为 SPARC International, Incorporated 的注册商标。SPARCstation™ 为 SPARC International, Incorporated 的商标，独家授权给 Sun Microsystems, Incorporated。

UNIX® 为在美国和其它国家的注册商标，通过 X/Open Company Limited 独家授权。

作为 ENERGY STAR® 的合作伙伴，Xerox Corporation 已测定此产品符合 ENERGY STAR 的节能指导方针。ENERGY STAR 名称和徽标是注册的美国家标志。



经作者许可，本产品使用 John Halleck 编写的 SHA-1 代码。

本产品含有在美国专利 4,558,302 许可下实施的 LZW。

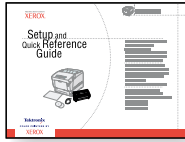
其它标志分别为其相关公司的商标和注册商标。

由 Phaser 6200 彩色打印机生成的 PANTONE® 色彩为四色和 / 或三色仿真处理，有可能与 PANTONE 等同的原色标准不相配。请参照现行的《PANTONE 颜色参考手册》上的正确颜色。

只有在经 Pantone 授权的软件产品的驱动下，才能在本产品上获得 PANTONE 色彩仿真效果。可与 Pantone, Inc. 联系，获取合格的许可证拥有者的最新列表。

目录

安装和快速查阅指南



6200-90

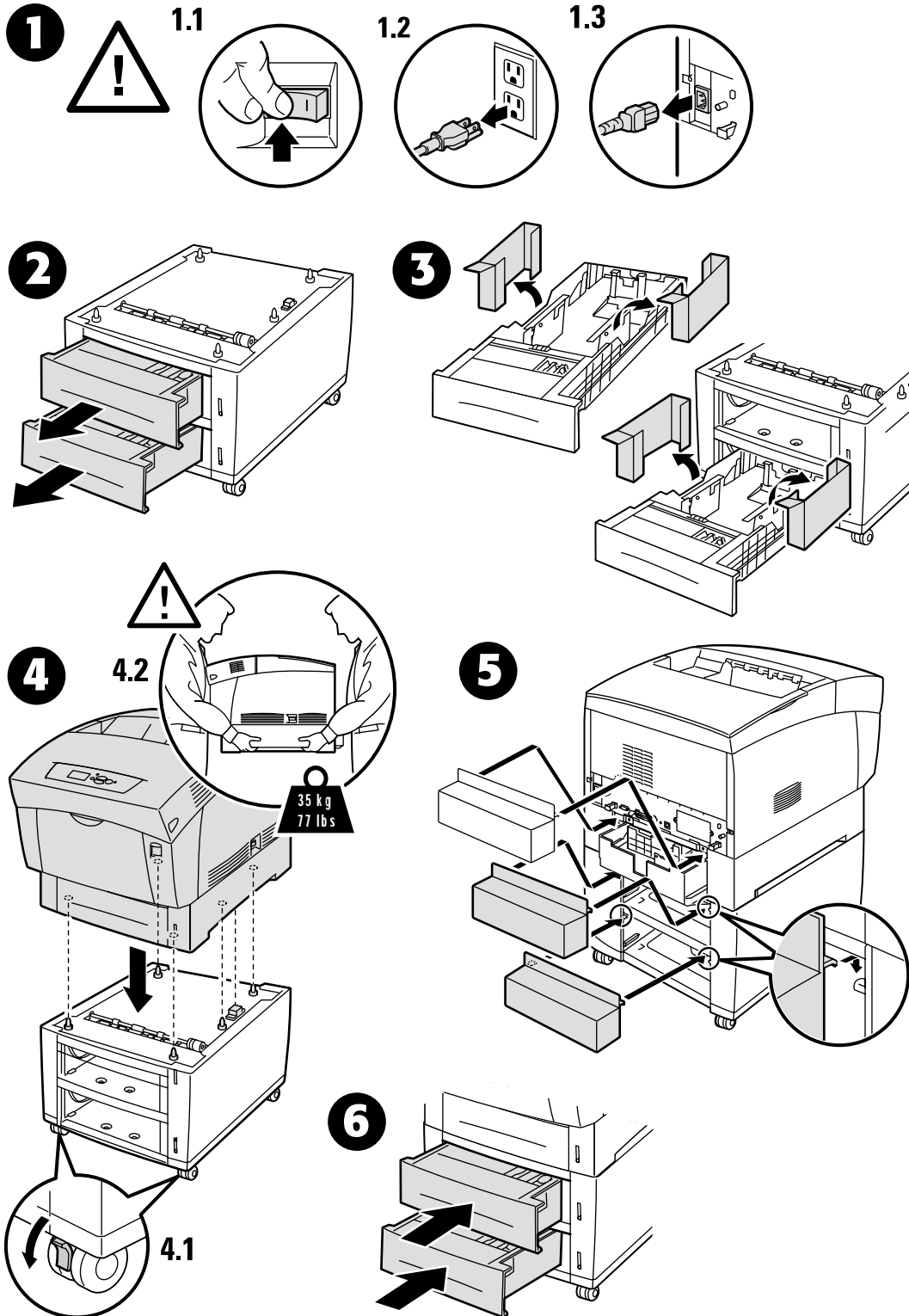
关于拆封并安装打印机的说明，请参阅随打印机附带的 *安装和快速查阅指南*。在 **交互式文档 CD-ROM** 上，可以找到 *安装和快速查阅指南* 的 PDF 文件。

大容量送纸器	1
硬盘	2
Phaser 6200B 到 Phaser 6200N 升级工具箱	4
Phaser 6200N 到 Phaser 6200DP 升级工具箱	6
内存	7
连接设置	8
移动	9

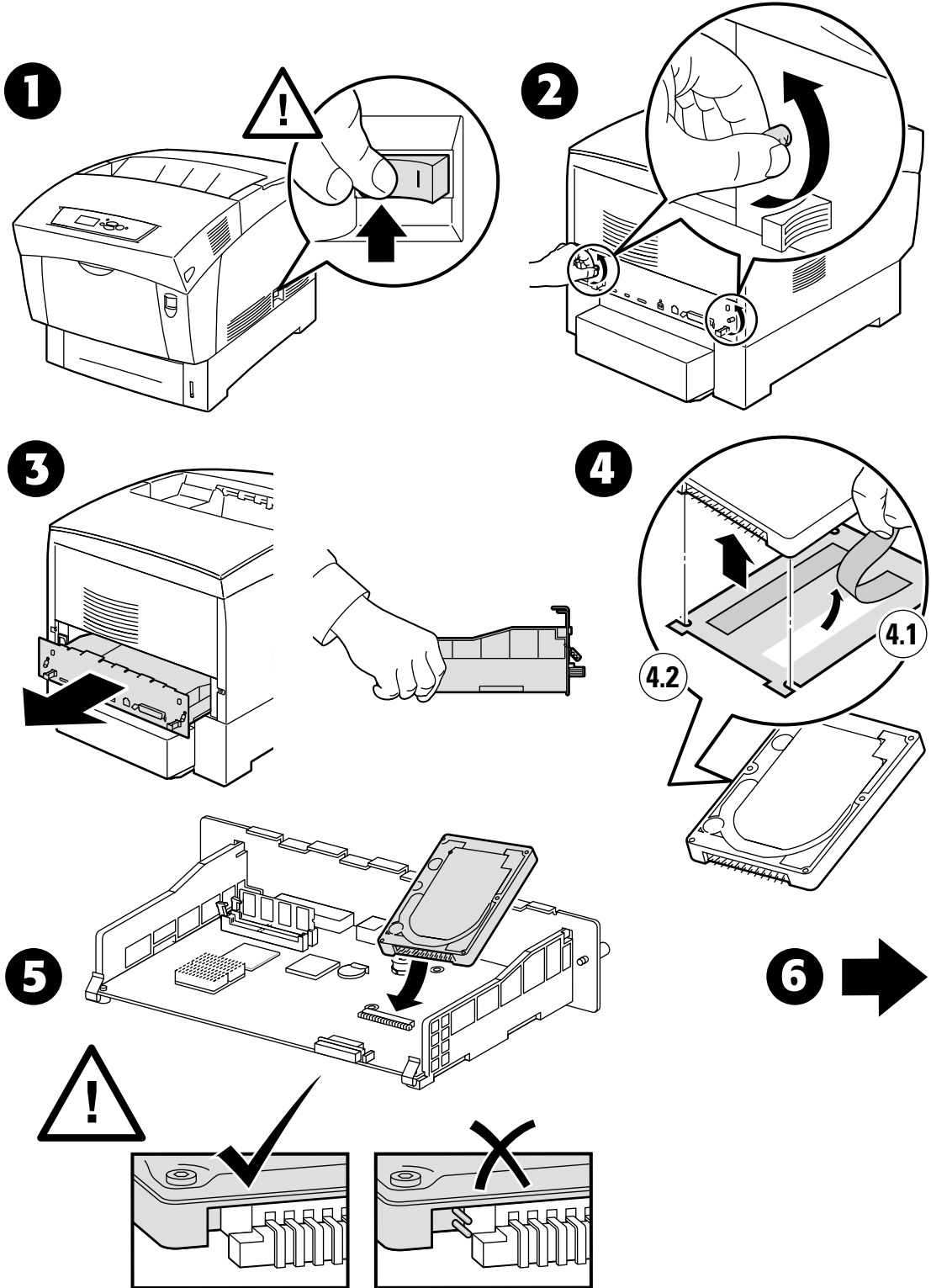
消耗品

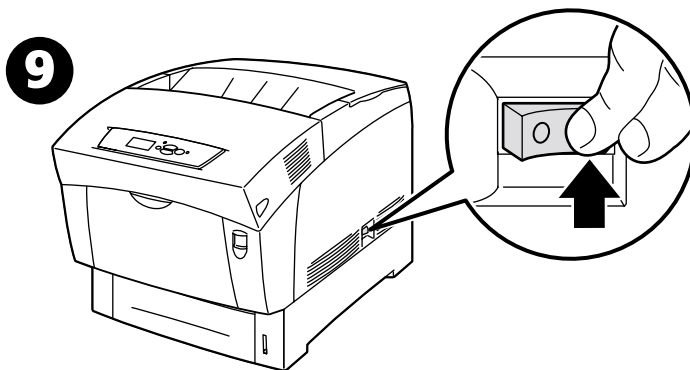
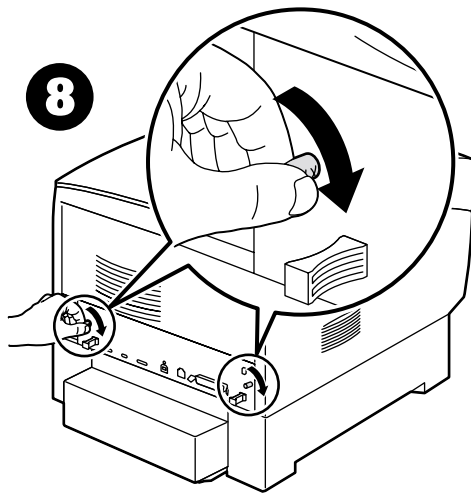
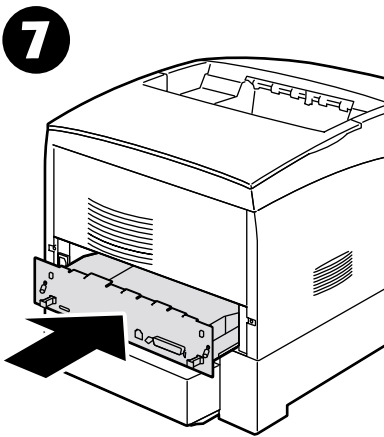
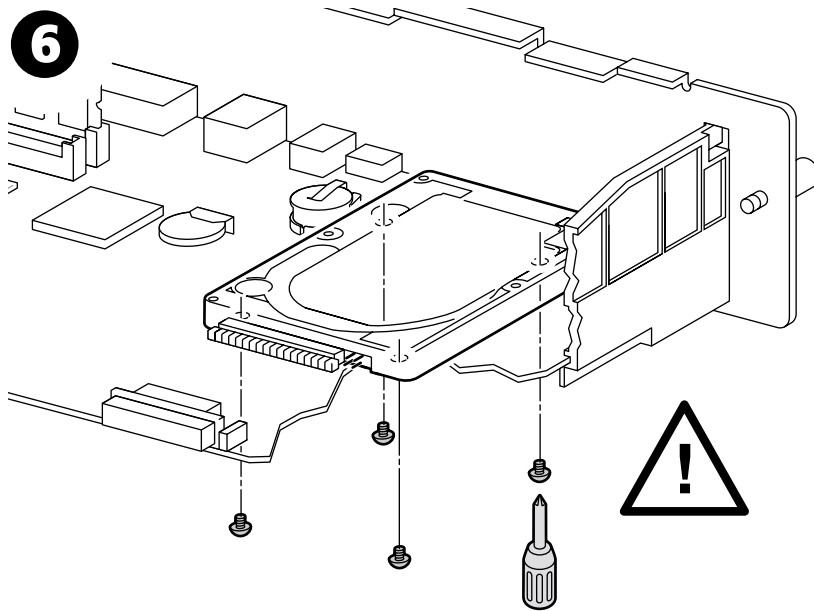
要获得一份有关 Phaser® 6200 彩色激光打印机的消耗品和附件的完整清单，请在交互式文档 **CD-ROM** 上打印 *消耗品指南*。

大容量送纸器

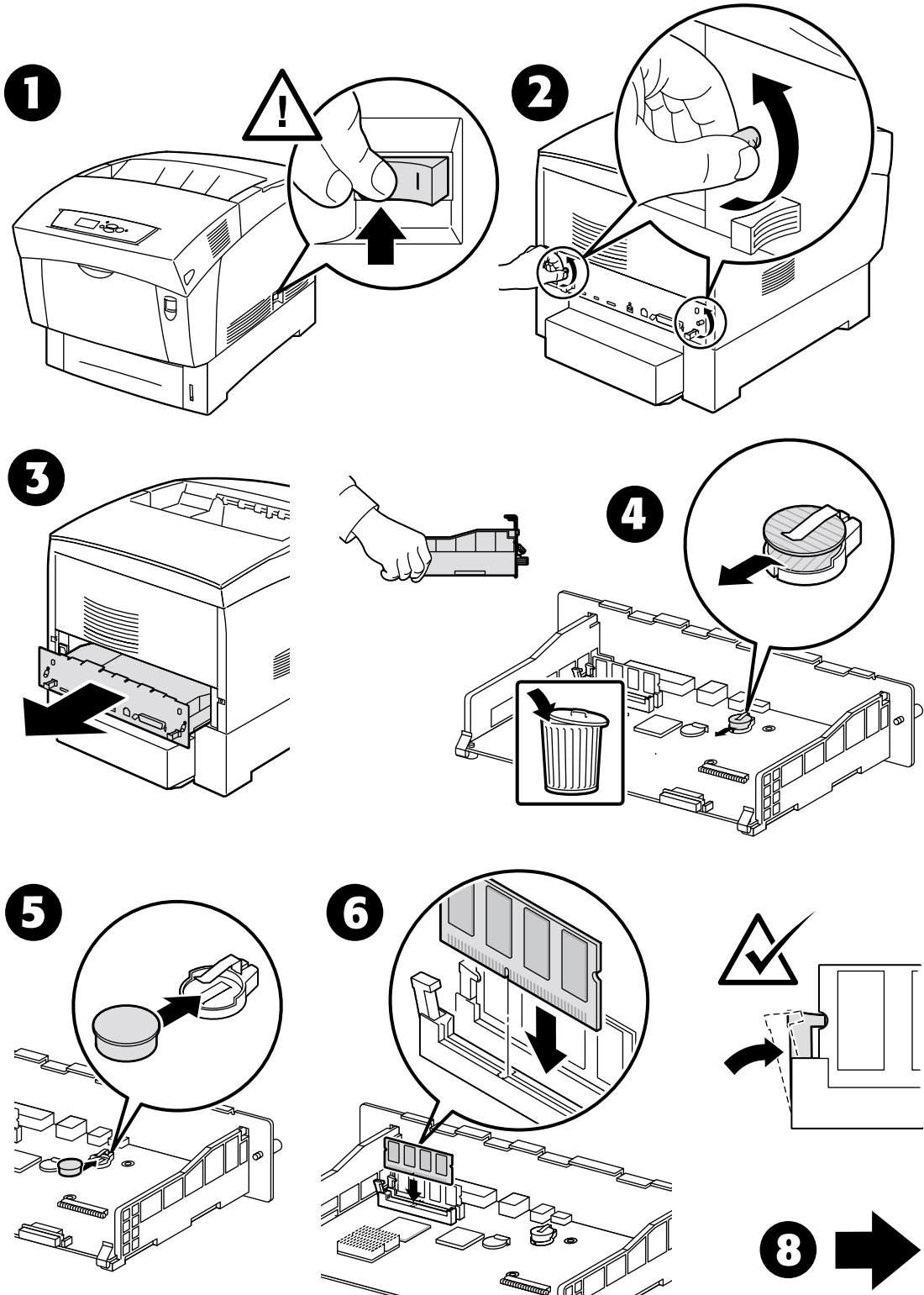


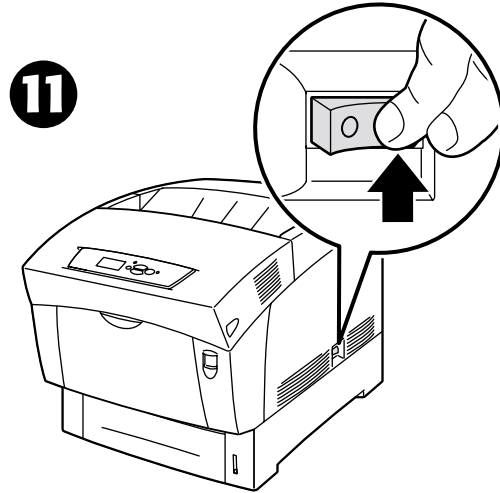
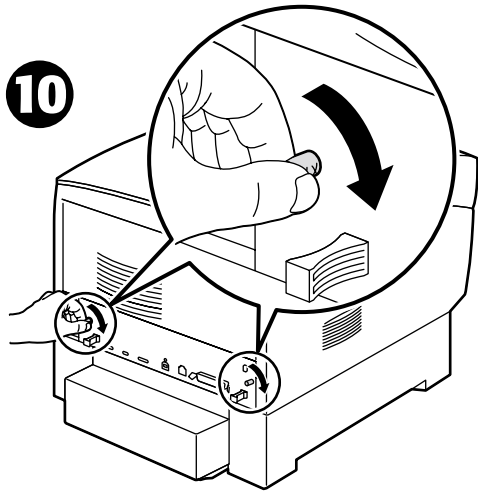
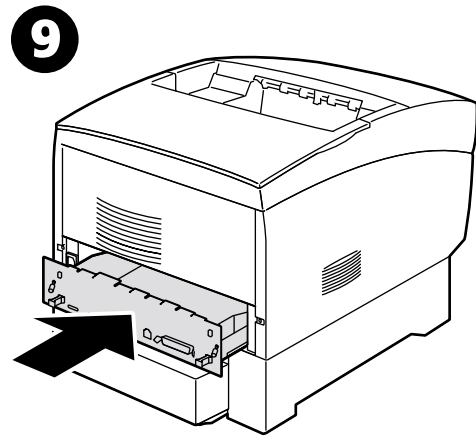
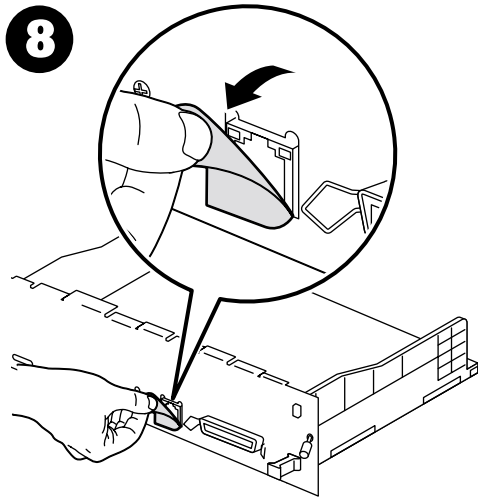
硬盘



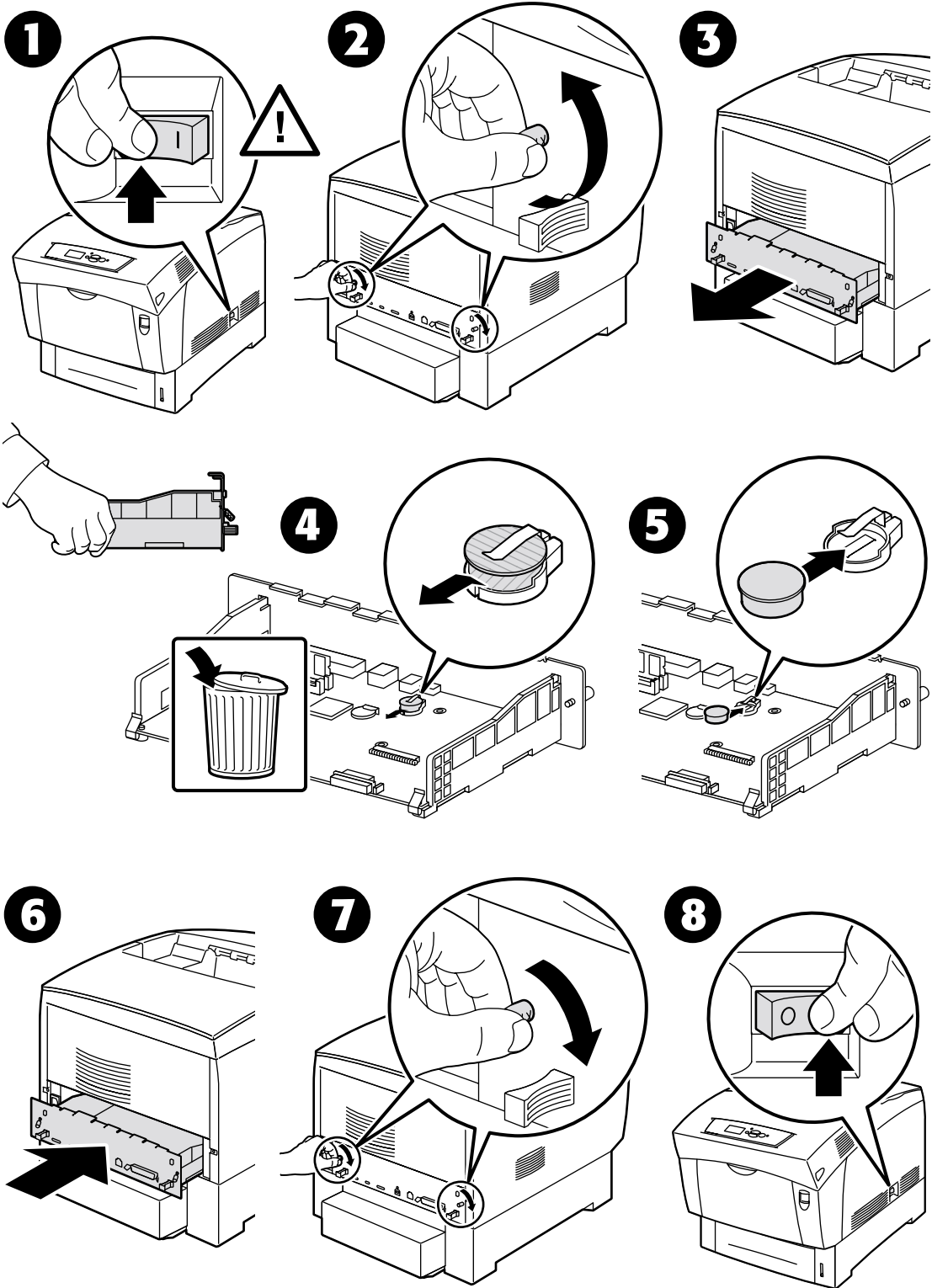


Phaser 6200B 到 Phaser 6200N 升级工具箱

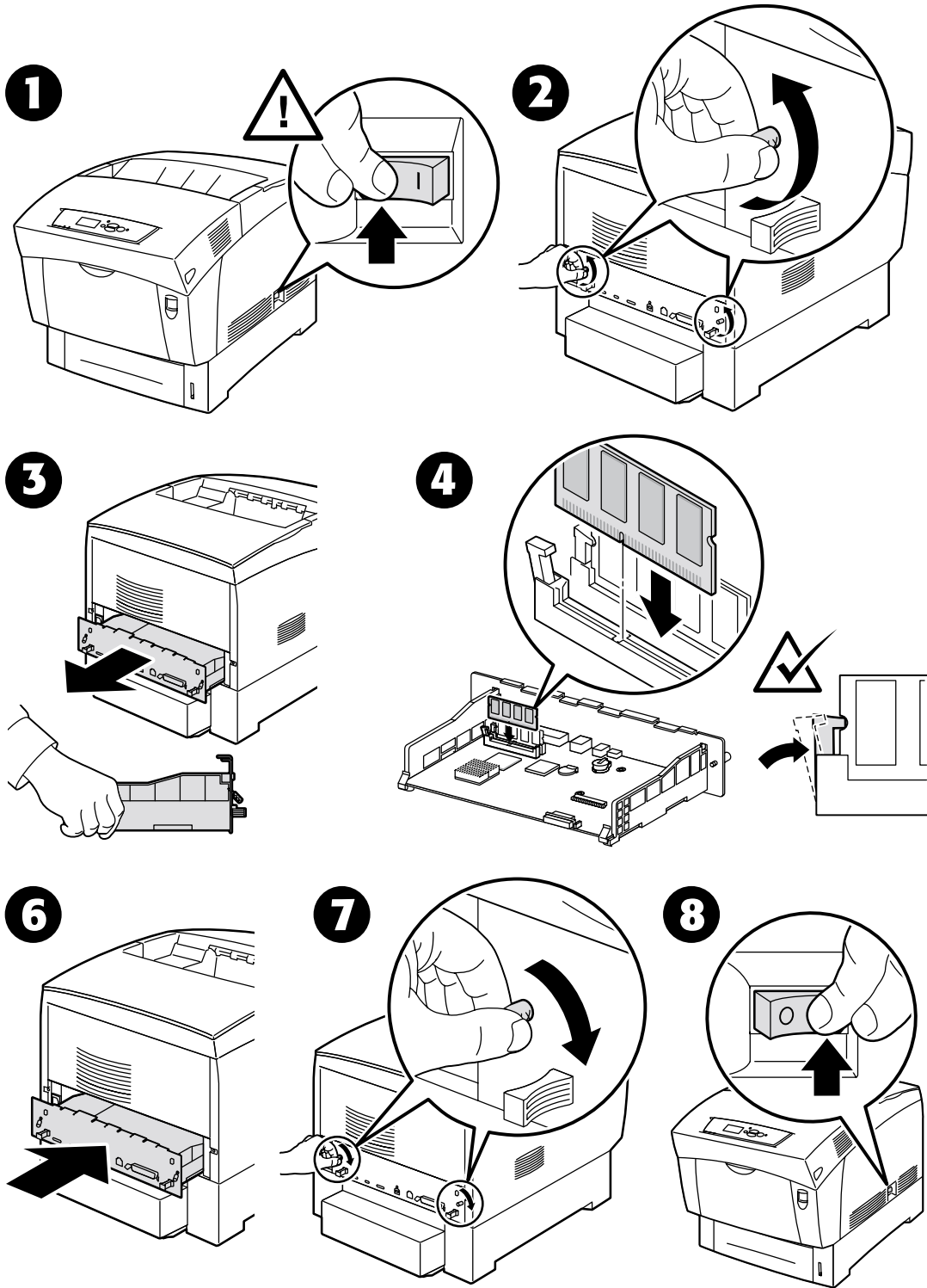




Phaser 6200N 到 Phaser 6200DP 升级工具箱



内存

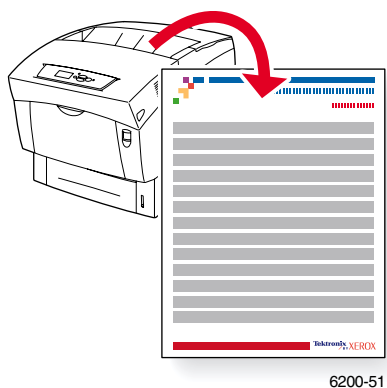


连接设置

您可以通过下列方式之一将打印机连至计算机。

- 并行口
- USB
- 网络

有关网络连接的详细信息，请查看**连接设置**可打印页，它和其它一些有用的可打印页一起储存在您的打印机中。下页显示**连接设置**可打印页。



所有的可打印页均具有此格式，在页面的顶部和底部有彩条。在打印机前面板打印出各页。

有关网络连接的详细信息，请参考**交互式文档 CD-ROM** 中的**连网指南**。

访问可打印页

从**可打印页菜单**访问这些页：

1. 在前面板上，使用**向下箭头**或**向上箭头**键滚动至**可打印页菜单**，然后按下**确定**键。
2. 使用**向下箭头**或**向上箭头**键，滚动至所需的可打印页（如**连接设置**），然后按下**确定**键。

菜单图

要获得可打印页的完整清单，请打印“菜单图”：

1. 在前面板上选择**菜单**，然后按**确定**键。
2. 选择**打印菜单图**，并按下**确定**键。



PHASER® 6200 COLOR PRINTER

Connection Setup

USB Connection

The USB connection requires a standard A/B USB cable. The "A" end of the cable connects to the computer's USB port; the "B" end connects to the printer's USB port.

Windows 98 or later

Connect the USB cable to the PC and follow the Add New Hardware Wizard to create the USB port. Follow the Add Printer Wizard to install the printer driver from your printer's software CD-ROM. For more details, refer to the infoSMART Knowledge Base at www.xerox.com/officeprinting/infoSMART, Document # 18215.

Macintosh (requires OS 9.0.4 or later)

A USB-connected printer will not show in the Chooser. Install the printer driver from your printer's software CD-ROM. Use the Desktop Printer Utility (version 1.2 or later) to create a desktop USB printer. The utility is located in the PhaserTools folder created during the software install. For more details, refer to the infoSMART Knowledge Base at www.xerox.com/officeprinting/infoSMART, Document # 33225.

Parallel Connection

The printer's parallel connection uses a parallel cable to connect your computer's parallel port to the printer's parallel port. Install the printer driver from your printer's software CD-ROM. Select the appropriate LPT parallel port.

Ethernet Connection (recommended)

Network

Use an Ethernet connection with two twisted-pair (Category 5/RJ-45) cables and an Ethernet hub. Connect the computer to the hub with one cable and connect the printer to the hub with the second cable. Use any port on the hub except the uplink port. TCP/IP and EtherTalk are the most common protocols used with Ethernet cables. To print using TCP/IP, each computer and the printer requires a unique IP address. See Setting IP Addresses.

Standalone Use

Use a crossover cable to connect the printer directly to the computer via the Ethernet port.

Setting an IP address

If your computer is on a large network, contact your network administrator for the appropriate TCP/IP addresses and additional configurations.

If you are creating your own small Local Area Network, or connecting the printer directly to your computer over Ethernet, use this basic procedure. The printer and computer(s) should have unique IP addresses. It is important that the addresses are similar, but not the same. For example, your printer can have the address 192.168.1.2 while your computer has the address 192.168.1.3. Another device can have the address 192.168.1.4, and so on.

For more details, refer to the infoSMART Knowledge Base at www.xerox.com/officeprinting/infoSMART, Document # 18545.

Note: If you use the installer from your printer's software CD-ROM, the IP Address is set automatically.

To manually set the printer's IP address:

1. At the printer's front panel, select **Menus** and press **OK**.
2. Scroll to the **Connection Setup Menu** and press **OK**.
3. Scroll to **TCP/IP Address Menu** and press **OK**.
4. Scroll to **DCHP/BootP** and press **OK** until it displays **OFF**.
5. Scroll to **TCP/IP Address** and press **OK**.
6. Enter an IP address like the example above.
7. Scroll to **TCP/IP Network Mask** and press **OK**.
8. Enter a network (subnet) address. (If you use the IP address in the above example, set a Subnet Mask of 255.255.255.0)
9. Scroll to **TCP/IP Gateway** and press **OK**.
10. Enter a Gateway (router) address. (If you use the IP address in the above example, set a Gateway address of 192.168.1.1)
11. Scroll to **Exit** and press **OK**.

To set a static IP address on your computer:

Windows 95/98/Me

1. From the Start menu, right-click **Network Neighborhood** and select **Properties**.
2. On the **Configuration** tab, select the TCP/IP protocol for your network card, then select **Properties**.
3. On the **IP Address** tab, select **Specify an IP address**. Enter an IP address and Subnet Mask, and click **OK**. (If you use the IP address noted above, set a Subnet Mask of 255.255.255.0).
4. Click **OK** and restart Windows.

Windows 2000/XP

1. From the Start menu, right-click **My Network Places** and select **Properties**.
2. Right-click **Local Area Connection** and select **Properties**.
3. If you do not have TCP/IP available, you should first click **Add** and select **Protocol**. Click **Add** and select **Internet Protocol TCP/IP**.
4. On the **General** tab, select the TCP/IP protocol for your network card. Click **Properties**.
5. On the **General** tab, select **Use the following IP address**. Enter an IP address and Subnet Mask, and then click **OK**. (If you use the IP address in the above example, set a Subnet Mask of 255.255.255.0).
6. Click **OK** and restart Windows, if prompted.

Windows NT 4.x

1. From the start menu, right-click **Network Neighborhood** and select **Properties**.
2. On the **Protocols** tab, select **TCP/IP Protocol** and click **Properties**.
3. On the **IP Address** tab, select **Specify an IP Address**. Enter an IP Address and Subnet Mask in the field and click **OK**. (If you use the IP address noted above, set a Subnet Mask to 255.255.255.0.)
4. Click **OK** and restart Windows.

Installing the Printer Driver

To download the latest printer drivers, access the Xerox web site at: www.xerox.com/officeprinting/support.

Windows 95/98/Me, Windows 2000/XP, and Windows NT 4.x

Install the printer driver from your printer's software CD-ROM. The software CD-ROM installer automatically installs and identifies the printer during the installation process.

For more details, refer to the infoSMART Knowledge Base at www.xerox.com/officeprinting/infoSMART, Document # 9178 for Windows 95/98/Me, Document # 36894 for Windows 2000, and Document # 11338 for Windows NT.

Macintosh

EtherTalk

If you use EtherTalk, Macintosh computers do not require IP addresses.

1. Open the **AppleTalk** Control Panel.
2. Verify that the **Ethernet** port is the selected network port.
3. To install the printer driver, double-click the installer on your printer's software CD-ROM.
4. Open the **Chooser**, select the **LaserWriter** driver.
5. From the right column of the **Chooser**, select the printer. Click **Create** to create the desktop printer.

For more details, refer to the infoSMART Knowledge Base at www.xerox.com/officeprinting/infoSMART, Document # 2562.

Macintosh OS X

Macintosh OS X supports TCP/IP as the default protocol, as well as AppleTalk. For a TCP/IP installation, follow the instructions provided to set an IP address in the printer.

1. Open the **Print Center Utility**.
2. Select the **Add Printer...** button.
3. Choose the connection type you desire.

For LPR, enter the IP address of the printer that you set previously. The **Queue Name** field can remain blank if the **Use default queue on server** box is checked (by default). Other options are **PS**, or **AUTO**. Select the appropriate PPD for the printer model under the **Printer Model** pull-down menu.

For AppleTalk, select the appropriate printer from the list that is displayed. The printer should autoconfigure at this point.

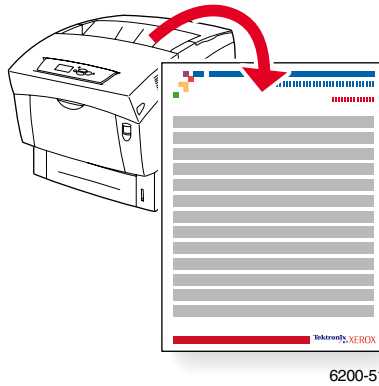
Note: You may need to enable AppleTalk via the Network Control Panel. Follow the onscreen instructions provided.

Other Resources

For more information on network setup and troubleshooting, refer to the **Networking** section of the Interactive Documentation CD-ROM.

移动

打印机中储存了大量的信息，即可打印页。下页显示**移动指南**可打印页，它将讲述如何安全地移动您的打印机。



所有的可打印页均具有此格式，在页面的顶部和底部有彩条。在打印机前面板打印出各页。

访问可打印页

从**可打印页菜单**访问这些页：

1. 在前面板上，使用**向下箭头**或**向上箭头**键滚动至**可打印页菜单**，然后按下**确定**键。
2. 使用**向下箭头**或**向上箭头**键滚动至所需的可打印页（如**移动指南**），然后按**确定**键。

菜单图

要获得可打印页的完整清单，请打印“菜单图”：

1. 在前面板上选择**菜单**，然后按**确定**键。
2. 选择**打印菜单图**，并按下**确定**键。



PHASER® 6200 COLOR PRINTER

Moving Guide

Follow these guidelines to move the printer within the office or to prepare the printer for shipment.

Precautions regarding moving the printer



WARNING: Follow these guidelines to avoid injuring yourself or damaging the printer.

- Always use at least two people to lift the printer.
- Always turn off the printer using the power switch.
- Failure to repackage the printer properly for shipment can result in damage to the printer not covered by the printer's warranty.
- Damage to the printer caused by improper moving is not covered by the printer's warranty.

Moving the printer within the office

The printer can be safely moved from one location within an office to another as long as it travels in an upright position, gently over smooth surfaces. Any jarring movement, such as pushing the printer over a raised door threshold or across a parking lot, can damage the printer.

Preparing the printer for shipment

To transport the printer by vehicle, the printer must be prepared according to a specific procedure. The printer must be repackaged in an appropriate shipping carton. The Imaging Unit* and Transfer Roller need to be removed and stored in an upright position. All Toner Cartridges must be locked in a normal operating position.

If you do not have all of the original packaging, order the repackaging kit from www.xerox.com/officeprinting/6200supplies or contact your local Xerox service representative. Additional instructions for repackaging the printer are provided in the repackaging kit and on the documentation CD-ROM. If you are unable to repackage the printer, contact your local Xerox service representative regarding our repacking services.

*Note: Do not leave the Imaging Unit exposed to light for more than 10 minutes as damage could result. Use the dark bag that came with the Imaging Unit or dark paper as a cover.