

THE DOCUMENT COMPANY  
**XEROX**



**Phaser® 6200**  
彩色雷射印表機

# 安裝手冊



**Tektronix**  
COLOR PRINTERS BY  
**XEROX**

版權所有 © 2002, Xerox Corporation。保留一切權利。根據美國著作權法，保留未出版的所有版權。未經 Xerox Corporation 同意，本出版品之內容不得以任何方式翻印。

版權保護包括目前法令或司法管轄允許，或下文中所認可之各類型版權條款與資訊（無範圍限制），亦包括從螢幕所顯示之軟體程式所衍生的物件，例如樣式、範本、圖示、螢幕顯示、外觀等項目。

XEROX®、The Document Company®、the stylized X、CentreWare®、DocuPrint®、Made For Each Other®、Phaser®、PhaserShare®、the TekColor® icon 和 WorkSet® 為 Xerox Corporation。infoSMART™、PhaserPort™、PhaserPrint™、PhaserSMART™、PhaserSym™、PhaserTools™ 的註冊商標且 TekColor™ 名稱為 Xerox Corporation 的註冊商標。

Adobe®、Acrobat®、Acrobat® Reader®、Illustrator®、PageMaker®、Photoshop®、PostScript®、ATM®、Adobe Garamond®、Birch®、Carta®、Mythos®、Quake® 和 Tekton® 為其註冊商標，Adobe Jenson™、Adobe Brilliant Screens™ technology 和 IntelliSelect™ 為 Adobe Systems Incorporated 或其某些管轄範圍內所註冊的子公司之註冊商標。

Apple®、LaserWriter®、LocalTalk®、Macintosh®、Mac® OS、AppleTalk®、TrueType2®、Apple Chancery®、Chicago®、Geneva®、Monaco®，及 New York® 皆為註冊商標，QuickDraw™ 則為 Apple Computer Incorporated 之註冊商標。

Marigold™ 及 Oxford™ 為 AlphaOmega Typography 之註冊商標。

Avery™ 為 Avery Dennison Corporation 之註冊商標。

PCL® 及 HP-GL® 均為 Hewlett-Packard Corporation 之註冊商標。

Hoefler Text 為 Hoefler Type Foundry 所設計。

ITC Avant Guard Gothic®、ITC Bookman®、ITC Lubalin Graph®、ITC Mona Lisa®、ITC Symbol®、ITC Zapf Chancery® 及 ITC Zapf Dingbats® 皆為 International Typeface Corporation 之註冊商標。

Bernhard Modern™、Clarendon™、Coronet™、Helvetica™、New Century Schoolbook™、Optima™、Palatino™、Stempel Garamond™、Times™ 及 Univers™ 均為 Linotype-Hell AG 與（或）其所屬公司之註冊商標。

MS-DOS® 及 Windows® 為 Microsoft Corporation 之註冊商標。

以 TrueType® 格式的 Wingdings™ 為 Microsoft Corporation 之產品。WingDings 為 Microsoft Corporation 之註冊商標，TrueType 是 Apple Computer, Inc. 之註冊商標。

Albertus™、Arial™、Gill Sans™、Joanna™ 及 Times New Roman™ 為 Monotype Corporation 之註冊商標。

Antique Olive® 為 M. Olive 之註冊商標。

Eurostile™ 為 Nebiolo 之註冊商標。

Novell® 及 NetWare® 為 Novell, Incorporated 之註冊商標。

Sun® 及 Sun Microsystems® 為 Sun Microsystems, Incorporated 之註冊商標。SPARC® 為 SPARC International, Incorporated 之註冊商標。SPARCstation™ 為 SPARC International, Incorporated 之商標，獨家授權予 Sun Microsystems, Incorporated。

UNIX® 為美國及其他國家之註冊商標，由 X/Open Company Limited 獨家授權。

作為 ENERGY STAR® 的事業夥伴，Xerox Corporation 已決定讓本產品將符合 ENERGY STAR 能源節約要求。ENERGY STAR 的名稱及商標為美國的註冊標記。



本產品使用 John Halleck 所寫的 SHA-1 程式碼，並已獲得作者同意使用。

獲得美國專利 4,558,302 授權，本產品採用 LZW。

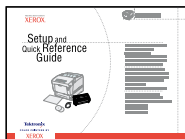
其他標記均為相關公司的商標或註冊商標。

由 Phaser 6200 彩色印表機所產生的 PANTONE® 色彩係為四色與 / 或三色混合處理的模擬色彩，可能無法符合 PANTONE 所認同的實心色彩標準。請使用目前的 PANTONE Color Reference Manuals (PANTONE 色彩參考手冊) 以查詢準確的色彩。

唯有安裝由 PANTONE 授權的標準驅動程式，才能使此產品獲得 PANTONE 的色彩模擬效果。若要取得目前領有合格執照者名單，請洽 Pantone, Inc.。

# 目錄

## 安裝與快速參考手冊



6200-90

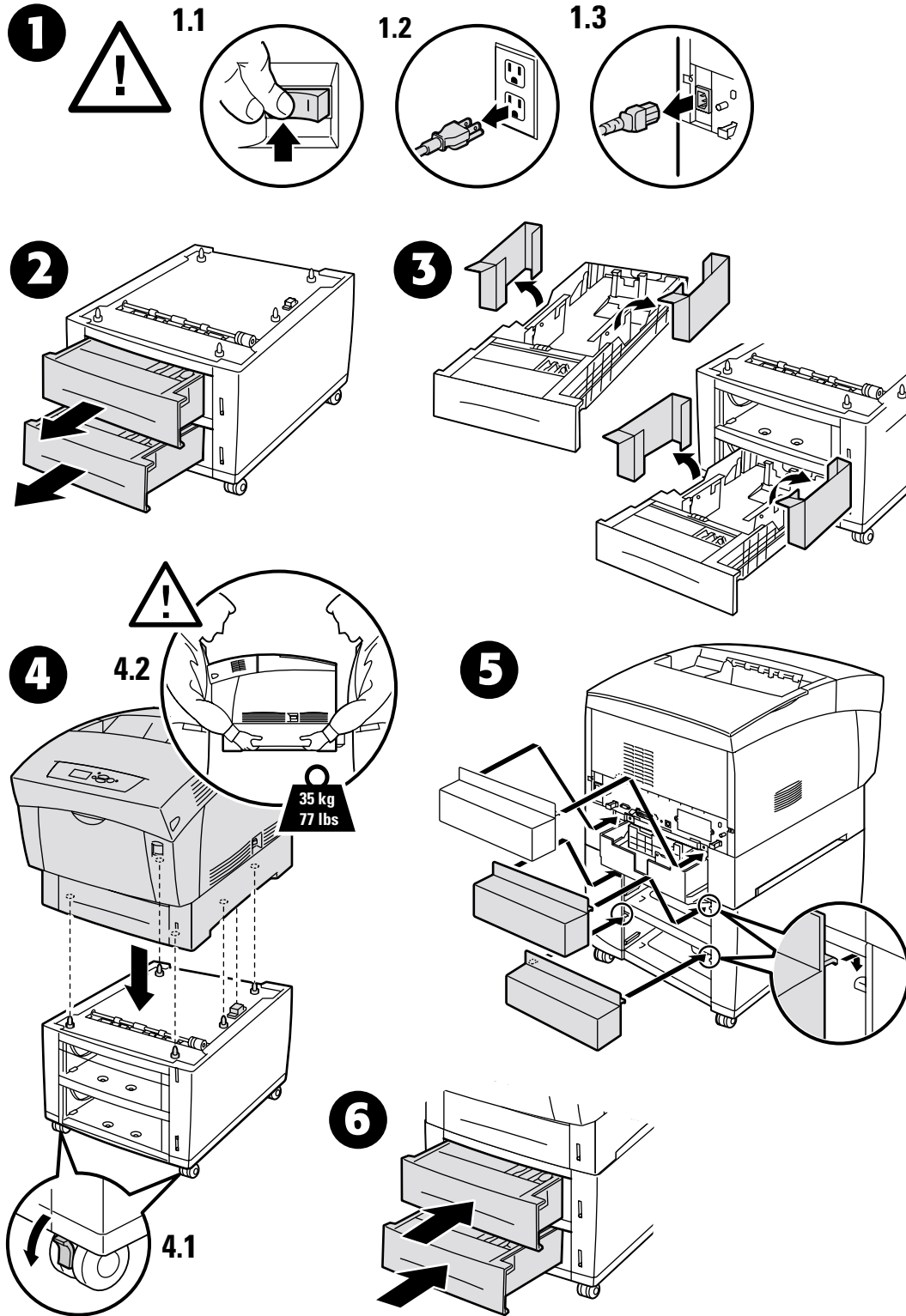
如需如何取出及安裝印表機的指示，請參閱印表機隨附的《安裝與快速參考手冊》。您可以在**互動式文件光碟**上找到《安裝與快速參考手冊》的 PDF 檔案。

<b>大容量進紙器</b> .....	<b>1</b>
<b>硬碟</b> .....	<b>2</b>
<b>從 Phaser 6200B 升級到 Phaser 6200N 的升級套件</b> .....	<b>4</b>
<b>從 Phaser 6200N 升級到 Phaser 6200DP 的升級套件</b> .....	<b>6</b>
<b>記憶體</b> .....	<b>7</b>
<b>連接設定</b> .....	<b>8</b>
<b>移動</b> .....	<b>9</b>

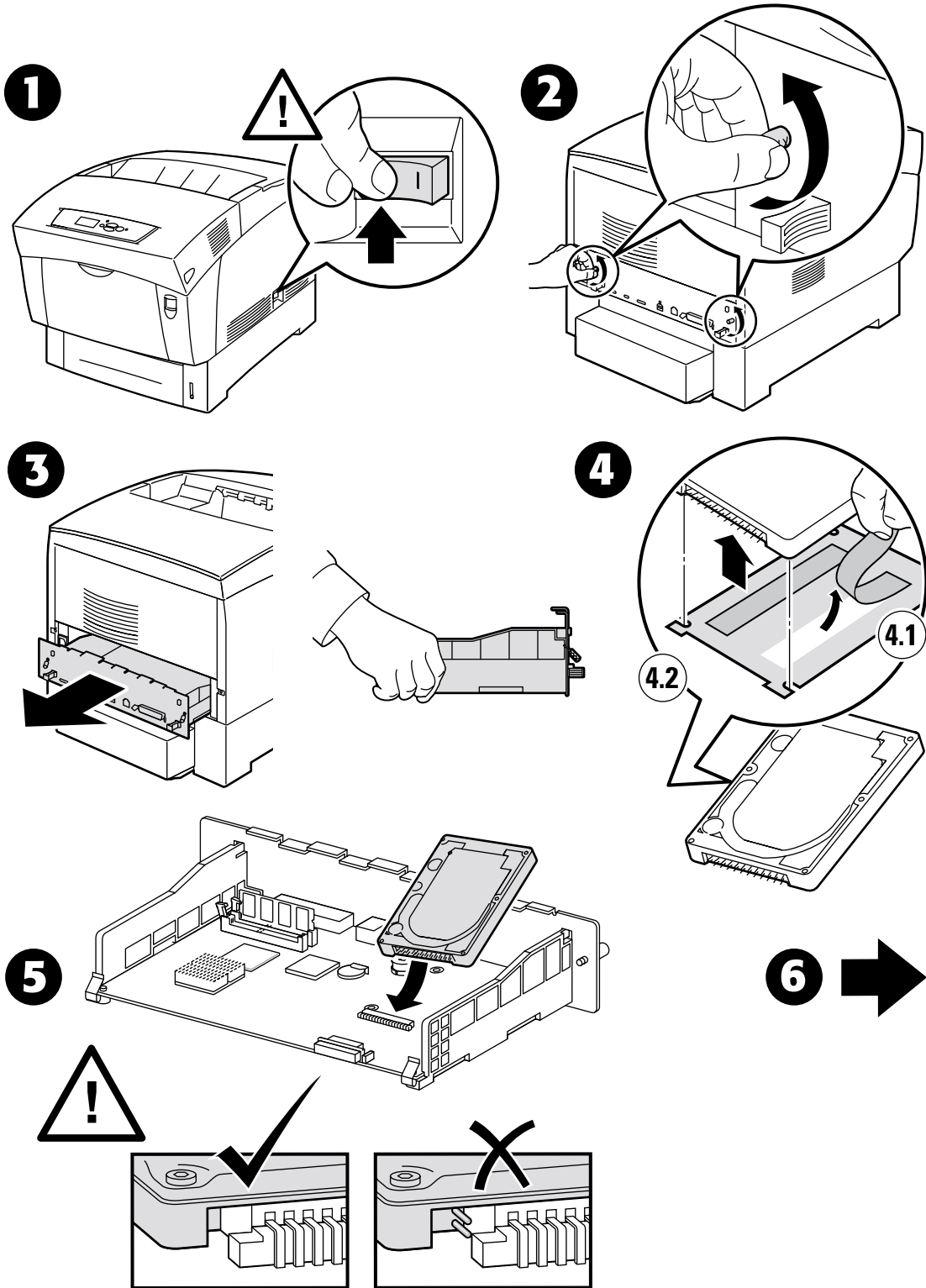
## 耗材

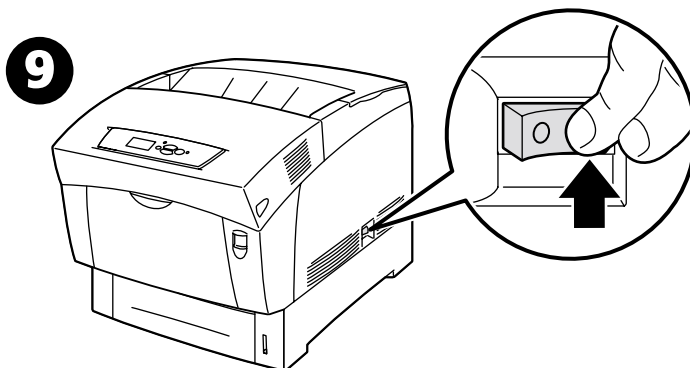
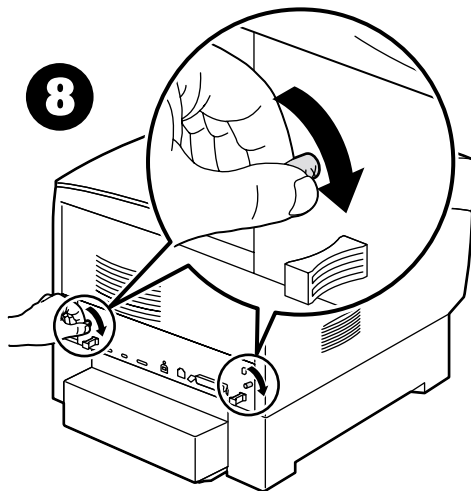
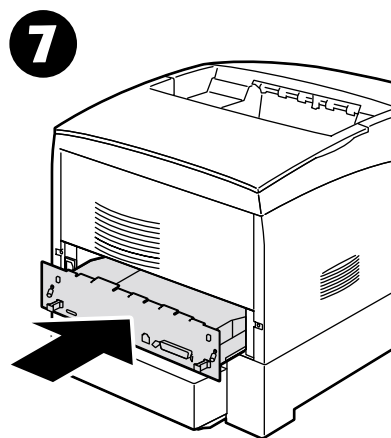
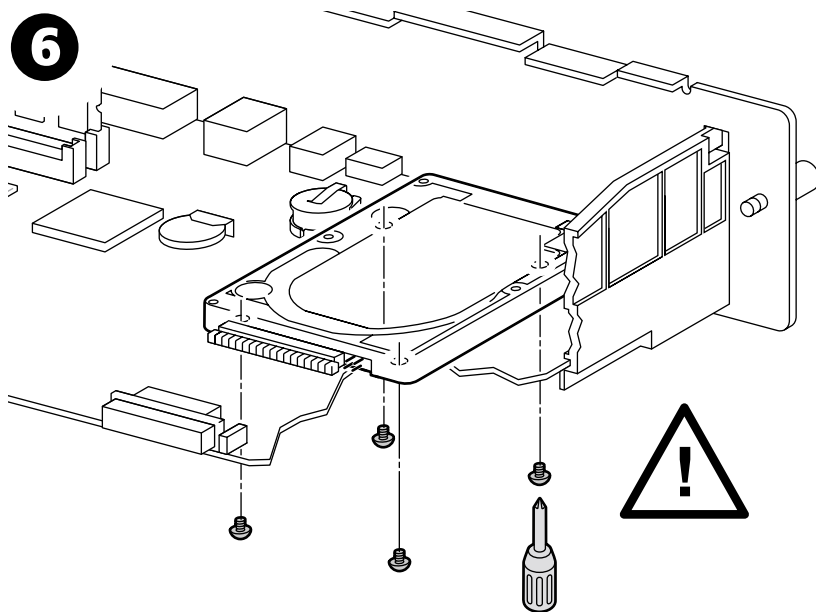
要獲得一份有關 Phaser® 6200 彩色雷射印表機的耗材和附件的完整清單，請列印在**互動式文件光碟**上的**支援手冊**。

# 高容量進紙器

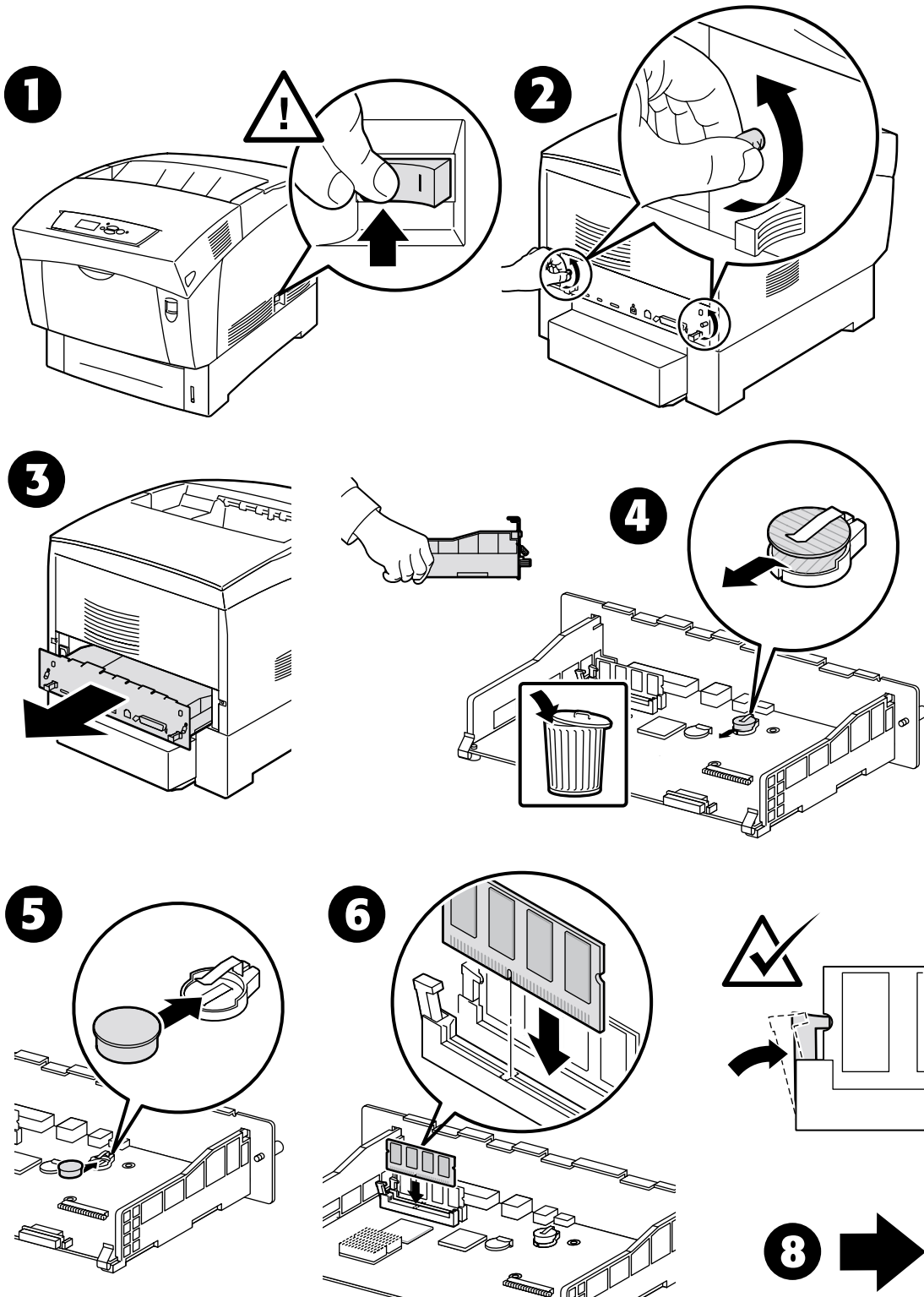


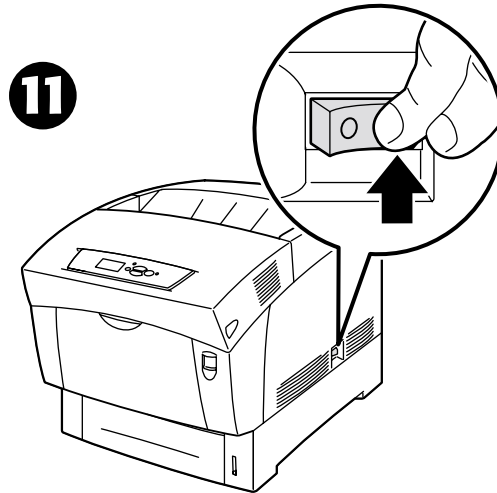
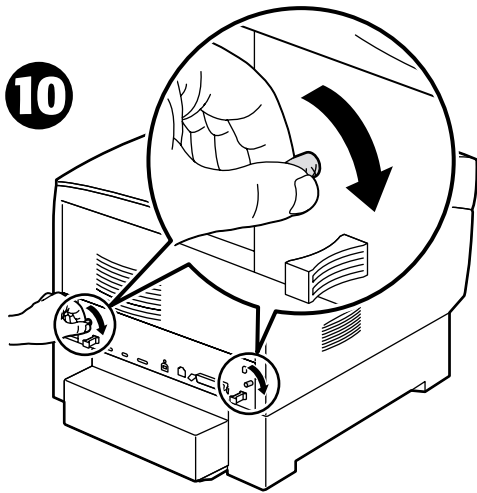
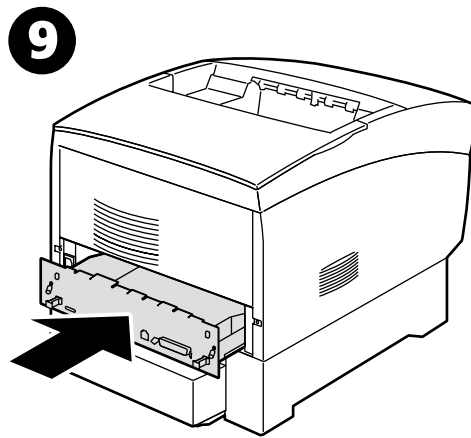
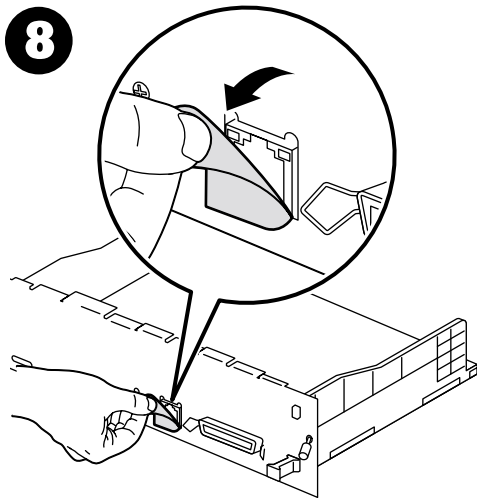
# 硬碟





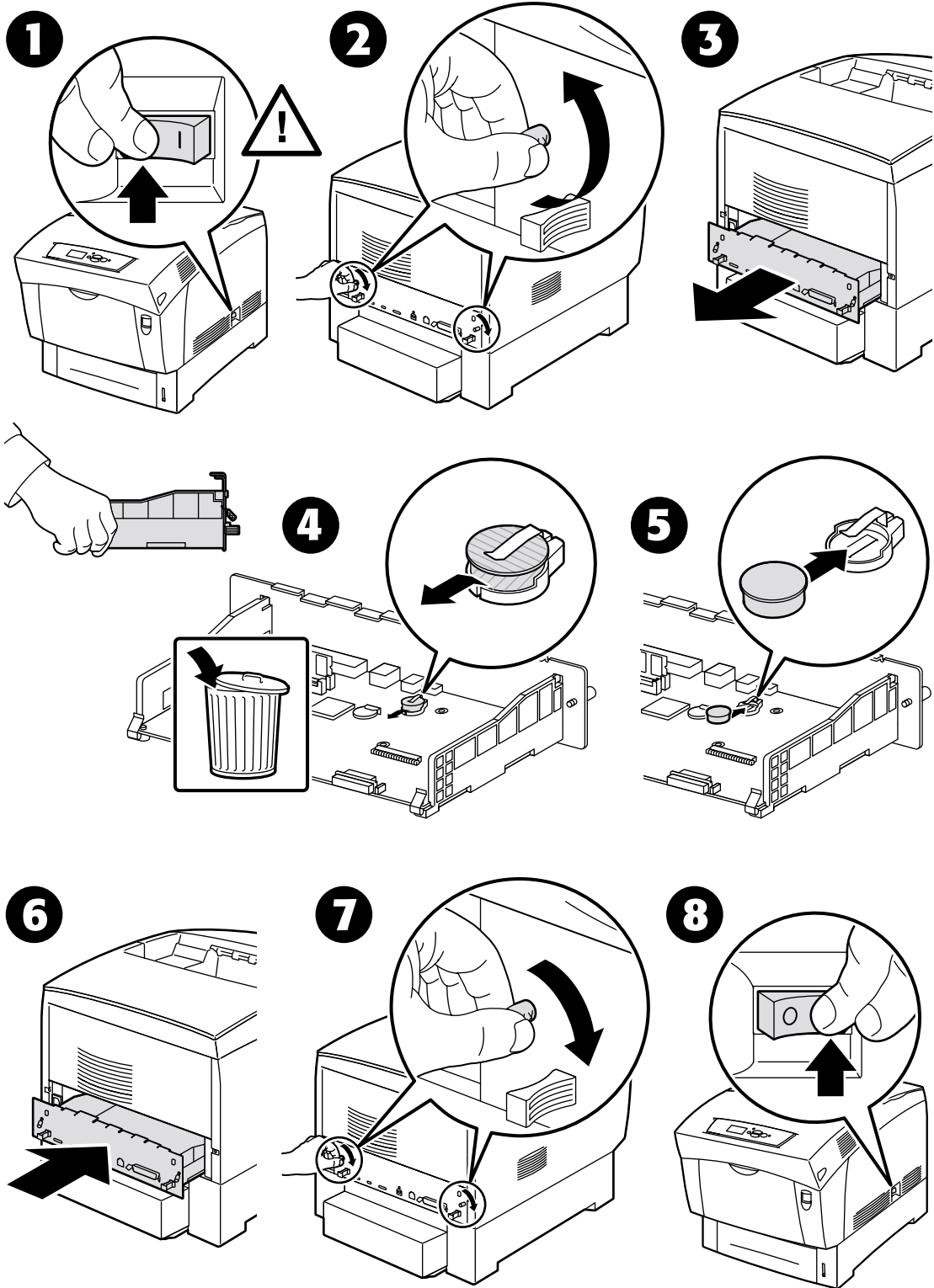
# 從 Phaser 6200B 升級到 Phaser 6200N 的升級套件



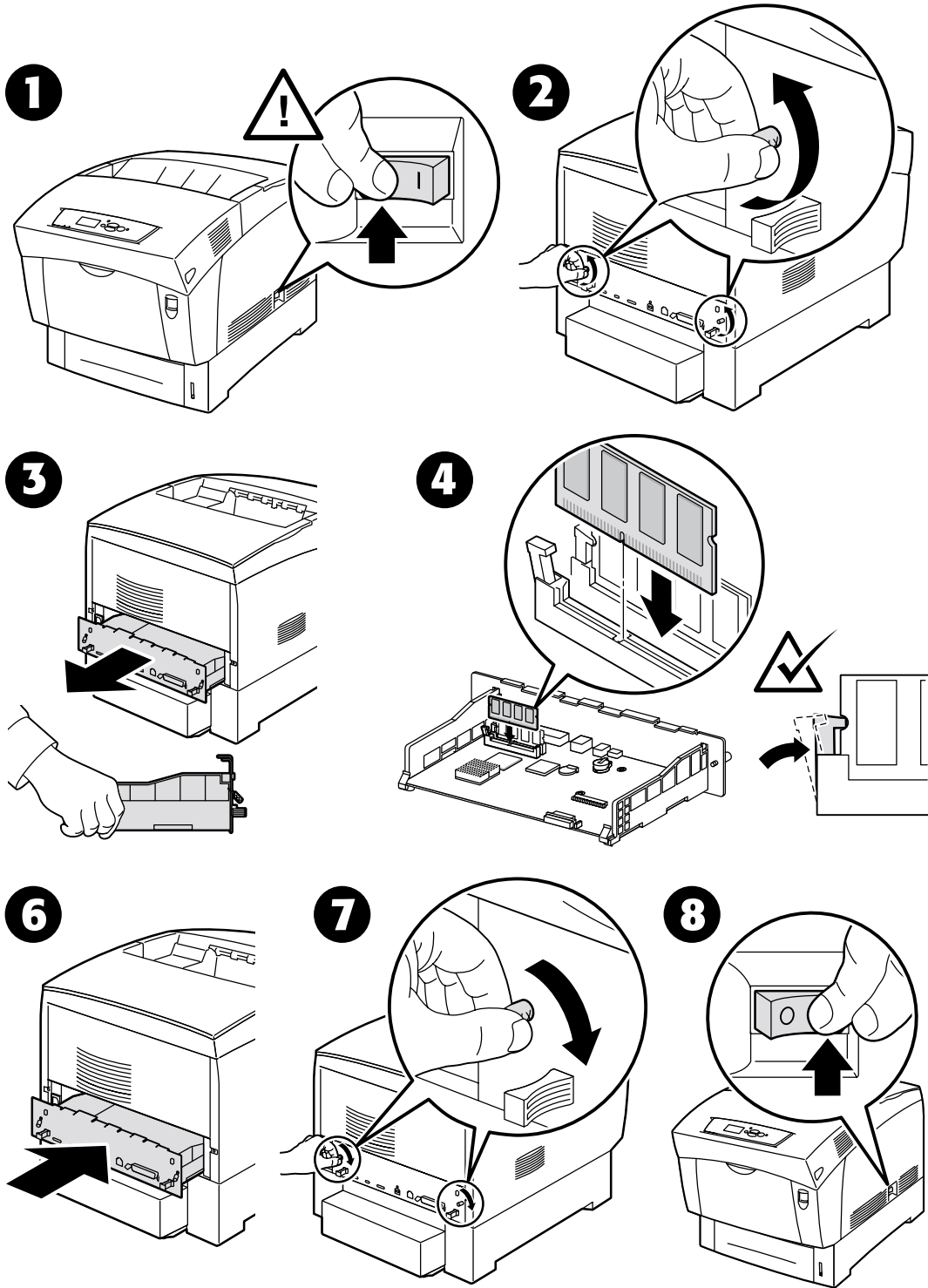




# 從 Phaser 6200N 升級到 Phaser 6200DP 的升級套件



# 記憶體

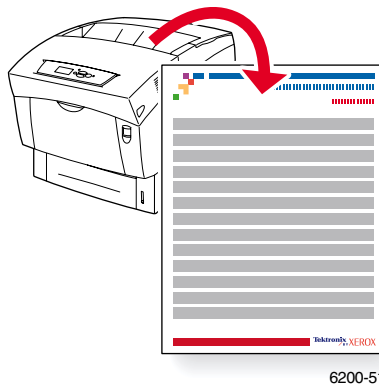


## 連接設定

您可以下列任一種方式將印表機連線至電腦。

- 並列埠
- USB
- 網路

有關連接至網路的資訊，請檢視**連接設定**可列印頁面，其與其他有用的可列印頁面儲存在一起。下列頁面會顯示**連接設定**可列印頁面。



所有可列印頁面都使用這個格式，即在其頁面的頂端及底部都有彩色條紋。在印表機前面板上列印這些頁面。

如需關於連接至網路的詳細資訊，請參閱**互動式文件光碟**上的《**網路手冊**》。

### 使用可列印頁面

存取**可列印頁面功能表**上的這些頁面：

1. 在前面板上，使用**下箭號**或**上箭號**按鍵捲動至**可列印頁面功能表**，然後按**確定**鍵。
2. 請使用**下箭號**或**上箭號**鍵捲動到想要的可列印頁面（如**連接設定**），然後按**確定**鍵。

### 功能表項目

若需可列印頁數的完整清單，請列印「功能表項目」：

1. 選取前面板上的**功能表**，然後按**確定**鍵。
2. 選擇**列印功能表項目**，然後按**確定**鍵。



# PHASER® 6200 COLOR PRINTER

## Connection Setup

### USB Connection

The USB connection requires a standard A/B USB cable. The "A" end of the cable connects to the computer's USB port; the "B" end connects to the printer's USB port.

#### Windows 98 or later

Connect the USB cable to the PC and follow the Add New Hardware Wizard to create the USB port. Follow the Add Printer Wizard to install the printer driver from your printer's software CD-ROM. For more details, refer to the infoSMART Knowledge Base at [www.xerox.com/officeprinting/infoSMART](http://www.xerox.com/officeprinting/infoSMART), Document # 18215.

#### Macintosh (requires OS 9.0.4 or later)

A USB-connected printer will not show in the Chooser. Install the printer driver from your printer's software CD-ROM. Use the Desktop Printer Utility (version 1.2 or later) to create a desktop USB printer. The utility is located in the PhaserTools folder created during the software install. For more details, refer to the infoSMART Knowledge Base at [www.xerox.com/officeprinting/infoSMART](http://www.xerox.com/officeprinting/infoSMART), Document # 33225.

### Parallel Connection

The printer's parallel connection uses a parallel cable to connect your computer's parallel port to the printer's parallel port. Install the printer driver from your printer's software CD-ROM. Select the appropriate LPT parallel port.

### Ethernet Connection (recommended)

#### Network

Use an Ethernet connection with two twisted-pair (Category 5/RJ-45) cables and an Ethernet hub. Connect the computer to the hub with one cable and connect the printer to the hub with the second cable. Use any port on the hub except the uplink port. TCP/IP and EtherTalk are the most common protocols used with Ethernet cables. To print using TCP/IP, each computer and the printer requires a unique IP address. See Setting IP Addresses.

#### Standalone Use

Use a crossover cable to connect the printer directly to the computer via the Ethernet port.

#### Setting an IP address

If your computer is on a large network, contact your network administrator for the appropriate TCP/IP addresses and additional configurations.

If you are creating your own small Local Area Network, or connecting the printer directly to your computer over Ethernet, use this basic procedure. The printer and computer(s) should have unique IP addresses. It is important that the addresses are similar, but not the same. For example, your printer can have the address 192.168.1.2 while your computer has the address 192.168.1.3. Another device can have the address 192.168.1.4, and so on.

For more details, refer to the infoSMART Knowledge Base at [www.xerox.com/officeprinting/infoSMART](http://www.xerox.com/officeprinting/infoSMART), Document # 18545.

**Note:** If you use the installer from your printer's software CD-ROM, the IP Address is set automatically.

**To manually set the printer's IP address:**

1. At the printer's front panel, select **Menus** and press **OK**.
2. Scroll to the **Connection Setup Menu** and press **OK**.
3. Scroll to **TCP/IP Address Menu** and press **OK**.
4. Scroll to **DCHP/BootP** and press **OK** until it displays **OFF**.
5. Scroll to **TCP/IP Address** and press **OK**.
6. Enter an IP address like the example above.
7. Scroll to **TCP/IP Network Mask** and press **OK**.
8. Enter a network (subnet) address. (If you use the IP address in the above example, set a Subnet Mask of 255.255.255.0)
9. Scroll to **TCP/IP Gateway** and press **OK**.
10. Enter a Gateway (router) address. (If you use the IP address in the above example, set a Gateway address of 192.168.1.1)
11. Scroll to **Exit** and press **OK**.

**To set a static IP address on your computer:**

Windows 95/98/Me

1. From the Start menu, right-click **Network Neighborhood** and select **Properties**.
2. On the **Configuration** tab, select the TCP/IP protocol for your network card, then select **Properties**.
3. On the **IP Address** tab, select **Specify an IP address**. Enter an IP address and Subnet Mask, and click **OK**. (If you use the IP address noted above, set a Subnet Mask of 255.255.255.0).
4. Click **OK** and restart Windows.

Windows 2000/XP

1. From the Start menu, right-click **My Network Places** and select **Properties**.
2. Right-click **Local Area Connection** and select **Properties**.
3. If you do not have TCP/IP available, you should first click **Add** and select **Protocol**. Click **Add** and select **Internet Protocol TCP/IP**.
4. On the **General** tab, select the TCP/IP protocol for your network card. Click **Properties**.
5. On the **General** tab, select **Use the following IP address**. Enter an IP address and Subnet Mask, and then click **OK**. (If you use the IP address in the above example, set a Subnet Mask of 255.255.255.0).
6. Click **OK** and restart Windows, if prompted.

Windows NT 4.x

1. From the start menu, right-click **Network Neighborhood** and select **Properties**.
2. On the **Protocols** tab, select **TCP/IP Protocol** and click **Properties**.
3. On the **IP Address** tab, select **Specify an IP Address**. Enter an IP Address and Subnet Mask in the field and click **OK**. (If you use the IP address noted above, set a Subnet Mask to 255.255.255.0.)
4. Click **OK** and restart Windows.

# Installing the Printer Driver

To download the latest printer drivers, access the Xerox web site at: [www.xerox.com/officeprinting/support](http://www.xerox.com/officeprinting/support).

## Windows 95/98/Me, Windows 2000/XP, and Windows NT 4.x

Install the printer driver from your printer's software CD-ROM. The software CD-ROM installer automatically installs and identifies the printer during the installation process.

For more details, refer to the infoSMART Knowledge Base at [www.xerox.com/officeprinting/infoSMART](http://www.xerox.com/officeprinting/infoSMART), Document # 9178 for Windows 95/98/Me, Document # 36894 for Windows 2000, and Document # 11338 for Windows NT.

## Macintosh

### EtherTalk

If you use EtherTalk, Macintosh computers do not require IP addresses.

1. Open the **AppleTalk** Control Panel.
2. Verify that the **Ethernet** port is the selected network port.
3. To install the printer driver, double-click the installer on your printer's software CD-ROM.
4. Open the **Chooser**, select the **LaserWriter** driver.
5. From the right column of the **Chooser**, select the printer. Click **Create** to create the desktop printer.

For more details, refer to the infoSMART Knowledge Base at [www.xerox.com/officeprinting/infoSMART](http://www.xerox.com/officeprinting/infoSMART), Document # 2562.

### Macintosh OS X

Macintosh OS X supports TCP/IP as the default protocol, as well as AppleTalk. For a TCP/IP installation, follow the instructions provided to set an IP address in the printer.

1. Open the **Print Center Utility**.
2. Select the **Add Printer...** button.
3. Choose the connection type you desire.

For LPR, enter the IP address of the printer that you set previously. The **Queue Name** field can remain blank if the **Use default queue on server** box is checked (by default). Other options are **PS**, or **AUTO**. Select the appropriate PPD for the printer model under the **Printer Model** pull-down menu.

For AppleTalk, select the appropriate printer from the list that is displayed. The printer should autoconfigure at this point.

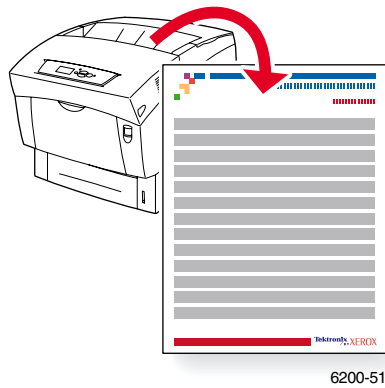
**Note:** You may need to enable AppleTalk via the Network Control Panel. Follow the onscreen instructions provided.

## Other Resources

For more information on network setup and troubleshooting, refer to the **Networking** section of the Interactive Documentation CD-ROM.

## 移動

印表機會將大量有用資訊儲存成可列印頁面。下頁會顯示**移動指南**的可列印頁面，告訴您如何安全地移動印表機。



所有可列印頁面都使用這個格式，即在其頁面的頂端及底部都有彩色條紋。在印表機前面板上列印這些頁面。

### 使用可列印頁面

使用**可列印頁面功能表**上的這些頁面：

1. 在前面板上，使用**下箭號**或**上箭號**按鍵捲動至**可列印頁面功能表**，然後按**確定**鍵。
2. 請使用**下箭號**或**上箭號**鍵捲動到想要的可列印頁面（如**移動指南**），然後按**確定**鍵。

### 功能表項目

若需可列印頁數的完整清單，請列印「功能表項目」：

1. 選取前面板上的**功能表**，然後按**確定**鍵。
2. 選擇**列印功能表項目**，然後按**確定**鍵。



# PHASER® 6200 COLOR PRINTER

## Moving Guide

Follow these guidelines to move the printer within the office or to prepare the printer for shipment.

### Precautions regarding moving the printer



**WARNING:** Follow these guidelines to avoid injuring yourself or damaging the printer.

- Always use at least two people to lift the printer.
- Always turn off the printer using the power switch.
- Failure to repackage the printer properly for shipment can result in damage to the printer not covered by the printer's warranty.
- Damage to the printer caused by improper moving is not covered by the printer's warranty.

### Moving the printer within the office

The printer can be safely moved from one location within an office to another as long as it travels in an upright position, gently over smooth surfaces. Any jarring movement, such as pushing the printer over a raised door threshold or across a parking lot, can damage the printer.

### Preparing the printer for shipment

To transport the printer by vehicle, the printer must be prepared according to a specific procedure. The printer must be repackaged in an appropriate shipping carton. The Imaging Unit\* and Transfer Roller need to be removed and stored in an upright position. All Toner Cartridges must be locked in a normal operating position.

If you do not have all of the original packaging, order the repackaging kit from [www.xerox.com/officeprinting/6200supplies](http://www.xerox.com/officeprinting/6200supplies) or contact your local Xerox service representative. Additional instructions for repackaging the printer are provided in the repackaging kit and on the documentation CD-ROM. If you are unable to repackage the printer, contact your local Xerox service representative regarding our repacking services.

\*Note: Do not leave the Imaging Unit exposed to light for more than 10 minutes as damage could result. Use the dark bag that came with the Imaging Unit or dark paper as a cover.