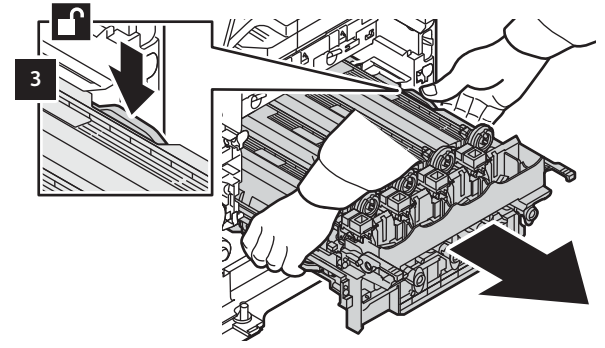
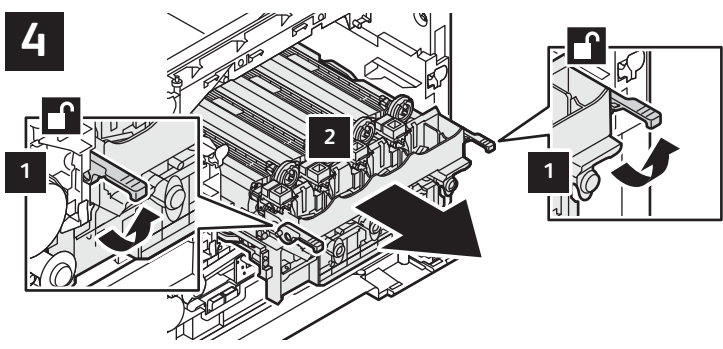
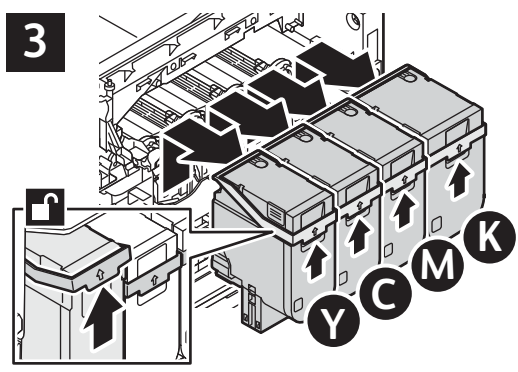
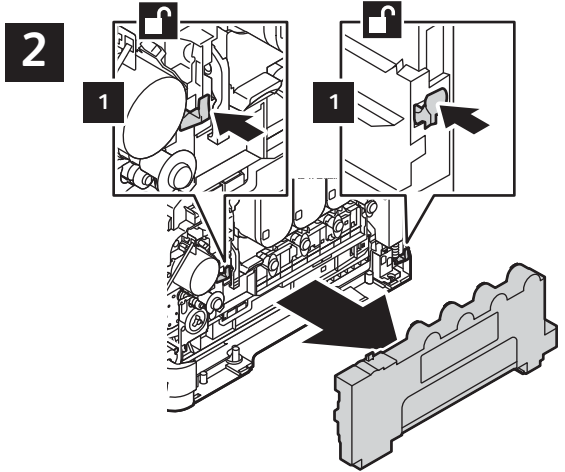
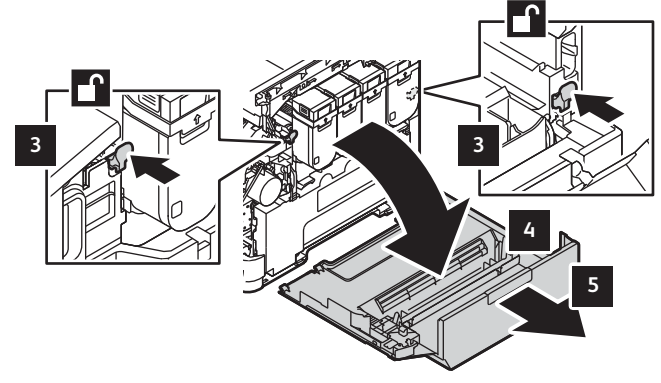
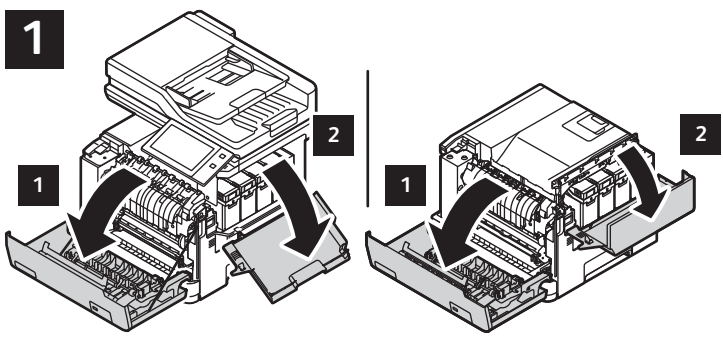
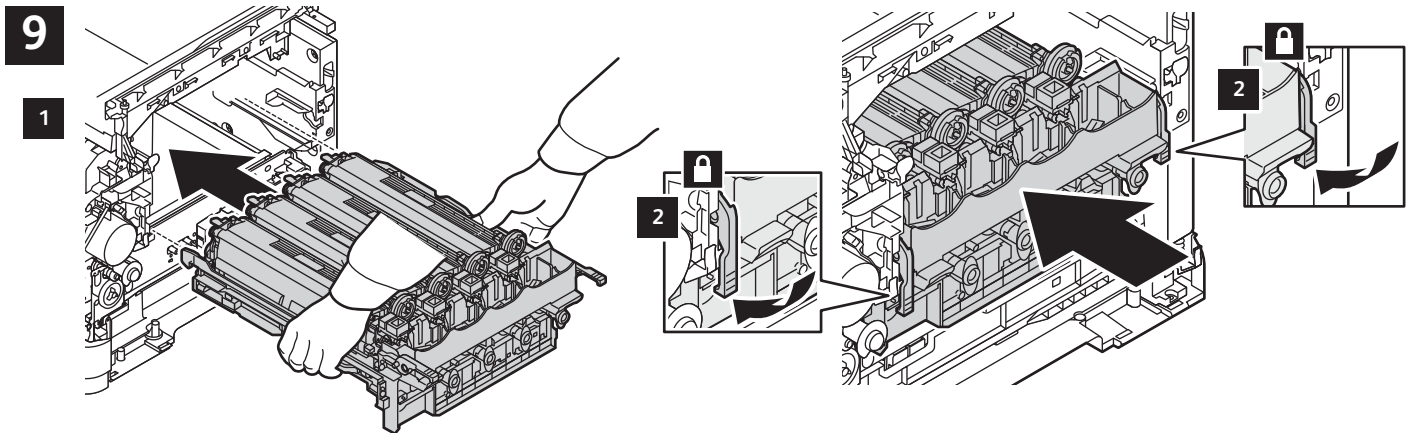
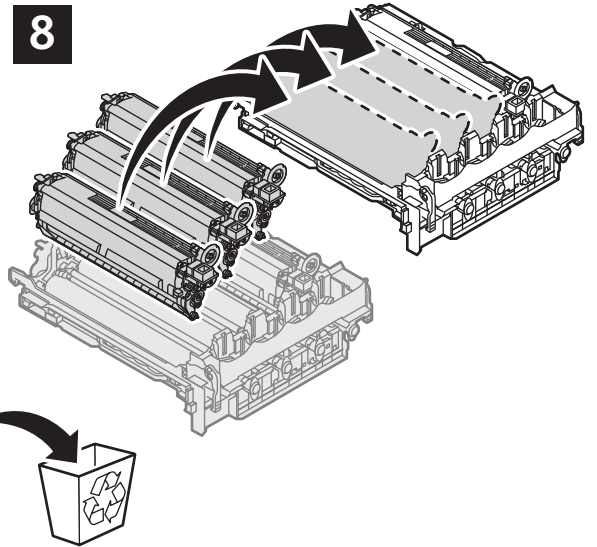
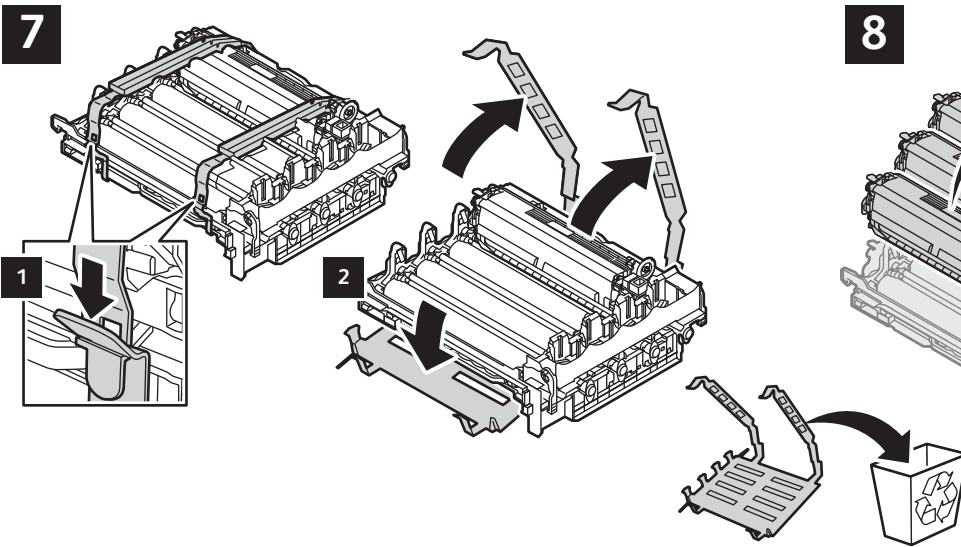
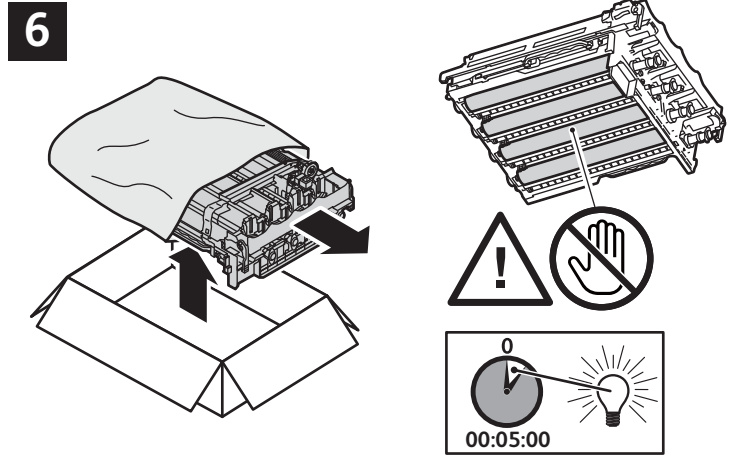
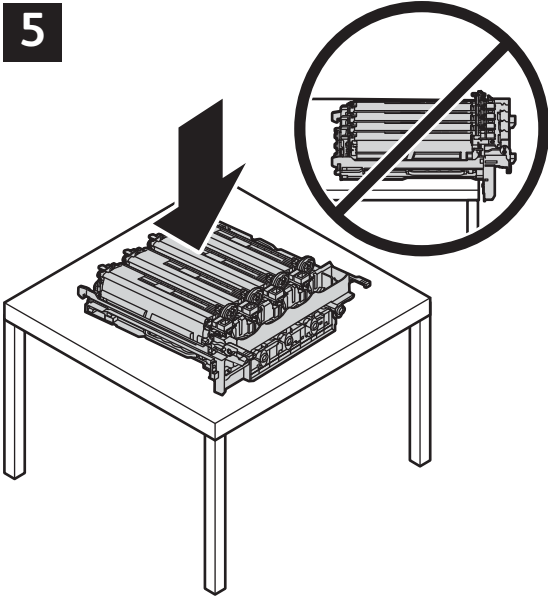
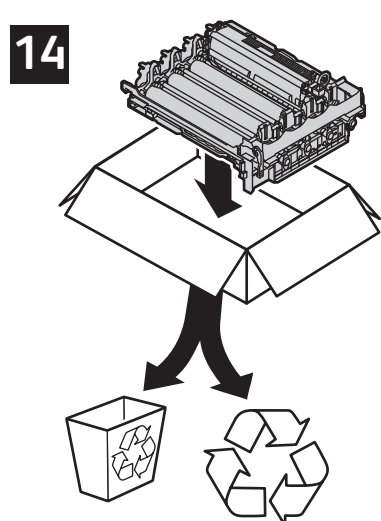
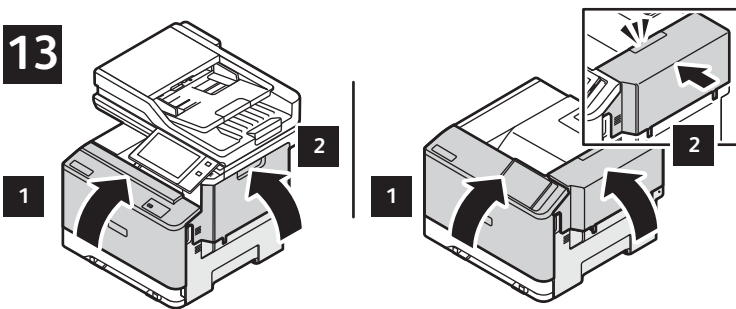
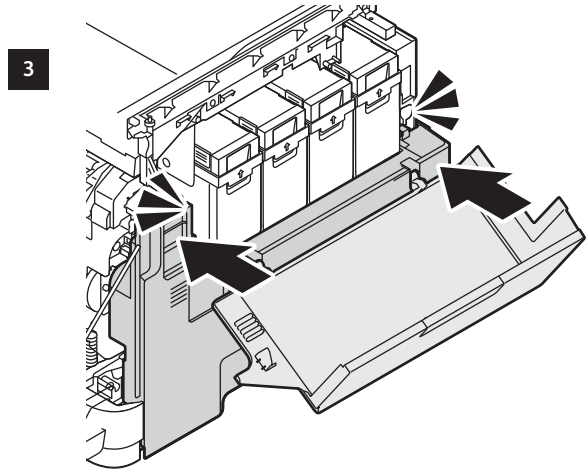
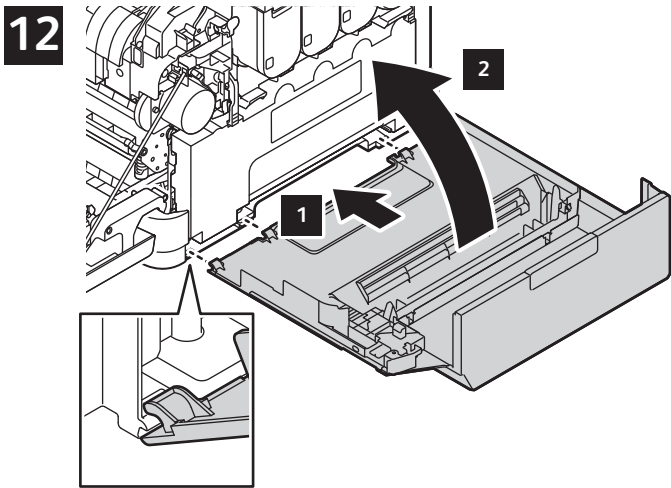
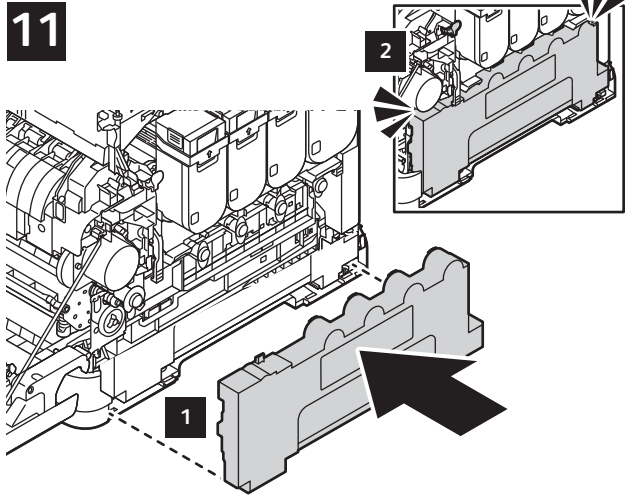
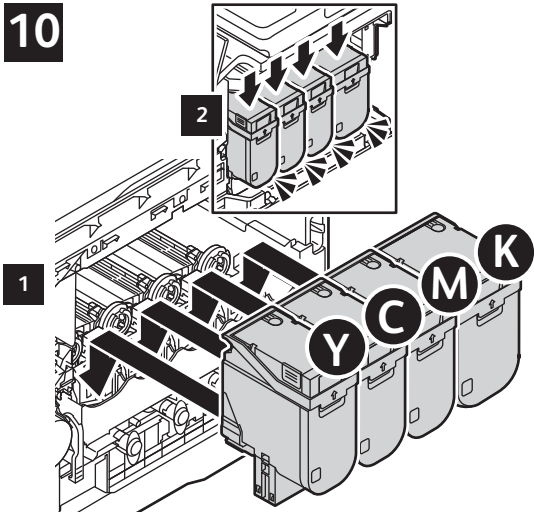


Xerox® VersaLink® C415 Xerox® C410







www.xerox.com/gwa

PUB1637-003



607E42610 Rev C
 © 2023 Xerox Corporation. All Rights Reserved.
 Xerox® and VersaLink® are trademarks of Xerox Corporation
 in the United States and/or other countries.