

# **DocuColor 12 Copier/Printer and Printer**

## **Customer Site Planning Guide**

---

Printed in the United States of America.

©1999, 2001 Xerox Corporation. All rights reserved.

Copyright protection claimed includes all forms and matters of copyrightable material and information now allowed by statutory or judicial law or hereinafter granted, including without limitation, material generated from the software programs that are displayed on the screen such as styles, templates, icons, screen displays, looks, etc.

Xerox®, The Document Company®, the stylized X, and all Xerox product names and product numbers mentioned in this publication are registered trademarks of Xerox Corporation. Xerox Canada is a licensee of all the trademarks. Other company brands and product names may be trademarks or registered trademarks of their respective companies and are also acknowledged.

PANTONE® Colors generated by the DocuColor 12 are four and/or three-color process simulations and may not match PANTONE-identified solid color standards. Use current PANTONE Color Reference Manuals for accurate color.

PANTONE® Color simulations are only obtainable on this product when driven by qualified Pantone-licensed software packages. Contact Pantone, Inc. for a current list of qualified licensees.

PANTONE® and other Pantone, Inc. trademarks are the property of Pantone, Inc. ©Pantone, Inc., 1988.

Changes are periodically made to this document. Technical updates will be included in subsequent editions.

Printed in the United States of America.

---

# Contents

- The Xerox DocuColor 12 and DocuColor 12 with External Digital Front End Customer Site Planning Guide . . . . .1**
  - How to use this manual . . . . . 1
  - Carrier diagram for copier only installations . . . . . 4
  - Carrier diagram for copier/printer installations. . . . . 5
  
- Stationary Installation . . . . .6**
  
- Movable Installation. . . . .8**
  - DocuColor 12 Stationary or Movable Installation Electrical Service Outlet Worksheet . . . . . 10
  - External Digital Front End (Tier I DFE) Electrical Service Outlet and Space Requirements Worksheet . . . . . 11
  
- Installation Checklist . . . . .13**
  
- Installation and Callback Checklist . . . . .14**
  - DO NOT REMOVE! For Xerox Carrier . . . . . 15
  
- Specifications . . . . .17**
  - Dimensions . . . . . 17
  - Environmental Requirements . . . . . 18
    - DocuColor 12 Copier/Printer . . . . . 18
    - DocuColor 12 Printer . . . . . 18

Electrical Power Requirements:.....	19
115V - 60Hz.....	19
DocuColor 12 Copier/Printer.....	19
DocuColor 12 Printer .....	20
220V-240V - 50Hz .....	21
DocuColor 12 Copier/Printer.....	21
DocuColor 12 Printer .....	22
Power Receptacle Requirements .....	23
DocuColor 12 Copier/Printer	
20 Amperes - 120 VAC.....	23
DocuColor 12 Printer 15 Amperes - 120 VAC ...	24
DocuColor 12 Copier/Printer and	
DocuColor 12 Printer 15 Amperes	
220 - 240 VAC .....	25

**DocuColor 12 installations..... 26**

DocuColor 12 with DADF and Output Tray	
Stationary Installation (Room) .....	26
DocuColor 12 with DADF and Output Tray	
Stationary Installation (Hallway).....	27
DocuColor 12 with DADF and Sorter/Mailbox	
Stationary Installation (Room) .....	28
DocuColor 12 with DADF and Sorter/Mailbox	
Stationary Installation (Hallway).....	29

DocuColor 12 with DADF and High Capacity Feeder Stationary Installation (Room) . . . . .	30
DocuColor 12 with DADF and High Capacity Feeder Stationary Installation (Hallway) . . . . .	31
DocuColor 12 with DADF, High Capacity Feeder, and Sorter/Mailbox Stationary Installation (Room) . . . . .	32
DocuColor 12 with DADF, High Capacity Feeder, and Sorter/Mailbox Stationary Installation (Hallway) . . . . .	33
DocuColor 12 with Platen Cover and Output Tray Stationary Installation (Room) . . . . .	34
DocuColor 12 with Platen Cover and Output Tray Stationary Installation (Hallway) . . . . .	35
DocuColor 12 with Platen Cover and Sorter/Mailbox Stationary Installation (Room) . . . . .	36
DocuColor 12 with Platen Cover and Sorter/Mailbox Stationary Installation (Hallway) . . . . .	37
DocuColor 12 with Platen Cover and High Capacity Feeder Stationary Installation (Room) . . . . .	38
DocuColor 12 with Platen Cover and High Capacity Feeder Stationary Installation (Hallway) . . . . .	39
DocuColor 12 with Platen Cover, High Capacity Feeder, and Sorter/Mailbox Stationary Installation (Room) . . . . .	40
DocuColor 12 with Platen Cover, High Capacity Feeder, and Sorter/Mailbox Stationary Installation (Hallway) . . . . .	41

DocuColor 12 with DADF, Output Tray, and Edit Pad Stationary Installation (Room) . . . . .	42
DocuColor 12 with DADF, Output Tray, and Edit Pad Stationary Installation (Hallway). . . . .	43
DocuColor 12 with DADF, Sorter/Mailbox, and Edit Pad Stationary Installation (Room) . . . . .	44
DocuColor 12 with DADF, Sorter/Mailbox, and Edit Pad Stationary Installation (Hallway). . . . .	45
DocuColor 12 with DADF, High Capacity Feeder, and Edit Pad Stationary Installation (Room) . . . . .	46
DocuColor 12 with DADF, High Capacity Feeder, and Edit Pad Stationary Installation (Hallway). . . . .	47
DocuColor 12 with DADF, High Capacity Feeder, Sorter/ Mailbox, and Edit Pad Stationary Installation (Room) . . . . .	48
DocuColor 12 with DADF, High Capacity Feeder, Sorter/ Mailbox, and Edit Pad Stationary Installation (Hallway). . . . .	49
DocuColor 12 with Platen Cover, Output Tray and Edit Pad Stationary Installation (Room) . . . . .	50
DocuColor 12 with Platen Cover, Output Tray and Edit Pad Stationary Installation (Hallway) . . . . .	51
DocuColor 12 with Platen Cover, Sorter/Mailbox, and Edit Pad Stationary Installation (Room) . . . . .	52

DocuColor 12 with Platen Cover, Sorter/Mailbox, and Edit Pad Stationary Installation (Hallway) . . . . .	53
DocuColor 12 with Platen Cover, High Capacity Feeder, and Edit Pad Stationary Installation (Room) . . . . .	54
DocuColor 12 with Platen Cover, High Capacity Feeder, and Edit Pad Stationary Installation (Hallway) . . . . .	55
DocuColor 12 with Platen Cover, High Capacity Feeder, Sorter/Mailbox, and Edit Pad Stationary Installation (Room) . . . . .	56
DocuColor 12 with Platen Cover, High Capacity Feeder, Sorter/Mailbox, and Edit Pad Stationary Installation (Hallway) . . . . .	57
DocuColor 12 with DADF and Output Tray Movable Installation (Room) . . . . .	58
DocuColor 12 with DADF and Output Tray Movable Installation (Hallway) . . . . .	59
DocuColor 12 with DADF and Sorter/Mailbox Movable Installation (Room) . . . . .	60
DocuColor 12 with DADF and Sorter/Mailbox Movable Installation (Hallway) . . . . .	61
DocuColor 12 with DADF and High Capacity Feeder Movable Installation (Room) . . . . .	62
DocuColor 12 with DADF and High Capacity Feeder Movable Installation (Hallway) . . . . .	63
DocuColor 12 with DADF, High Capacity Feeder, and Sorter/Mailbox Movable Installation (Room) . . . . .	64

DocuColor 12 with DADF, High Capacity Feeder, and Sorter/Mailbox Movable Installation (Hallway) . . . . .	65
DocuColor 12 with Platen Cover and Output Tray Movable Installation (Room) . . . . .	66
DocuColor 12 with Platen Cover and Output Tray Movable Installation (Hallway) . . . . .	67
DocuColor 12 with Platen Cover and Sorter/Mailbox Movable Installation (Room) . . . . .	68
DocuColor 12 with Platen Cover and Sorter/Mailbox Movable Installation (Hallway) . . . . .	69
DocuColor 12 with Platen Cover and High Capacity Feeder Movable Installation (Room) . . . . .	70
DocuColor 12 with Platen Cover and High Capacity Feeder Movable Installation (Hallway) . . . . .	71
DocuColor 12 with Platen Cover, High Capacity Feeder, and Sorter/Mailbox Movable Installation (Room) . . . . .	72
DocuColor 12 with Platen Cover, High Capacity Feeder, and Sorter/Mailbox Movable Installation (Hallway) . . . . .	73
DocuColor 12 with DADF, Output Tray, and Edit Pad Movable Installation (Room) . . . . .	74
DocuColor 12 with DADF, Output Tray, and Edit Pad Movable Installation (Hallway) . . . . .	75



DocuColor 12 with DADF, Sorter/Mailbox, and Edit Pad Movable Installation (Room) . . . . .	76
DocuColor 12 with DADF, Sorter/Mailbox, and Edit Pad Movable Installation (Hallway). . . . .	77
DocuColor 12 with DADF, High Capacity Feeder, and Edit Pad Movable Installation (Room) . . . . .	78
DocuColor 12 with DADF, High Capacity Feeder, and Edit Pad Movable Installation (Hallway). . . . .	79
DocuColor 12 with DADF, High Capacity Feeder, Sorter/Mailbox, and Edit Pad Movable Installation (Room) . . . . .	80
DocuColor 12 with DADF, High Capacity Feeder, Sorter/Mailbox, and Edit Pad Movable Installation (Hallway). . . . .	81
DocuColor 12 with Platen Cover, Output Tray, and Edit Pad Movable Installation (Room) . . . . .	82
DocuColor 12 with Platen Cover, Output Tray, and Edit Pad Movable Installation (Hallway). . . . .	83

DocuColor 12 with Platen Cover, Sorter/Mailbox, and Edit Pad Movable Installation (Room) . . . . .	84
DocuColor 12 with Platen Cover, Sorter/Mailbox, and Edit Pad Movable Installation (Hallway) . . . . .	85
DocuColor 12 with Platen Cover, High Capacity Feeder, and Edit Pad Movable Installation (Room) . . . . .	86
DocuColor 12 with Platen Cover, High Capacity Feeder, and Edit Pad Movable Installation (Hallway) . . . . .	87
DocuColor 12 with Platen Cover, High Capacity Feeder, Sorter/Mailbox, and Edit Pad Movable Installation (Room) . . . . .	88
DocuColor 12 with Platen Cover, High Capacity Feeder, Sorter/Mailbox, and Edit Pad Movable Installation (Hallway) . . . . .	89

# ***The Xerox DocuColor 12 and DocuColor 12 with External Digital Front End Customer Site Planning Guide***

## ***How to use this manual***

This manual is for the DocuColor 12 Copier, the DocuColor 12 Printer, and the DocuColor 12 Copier/Printer with optional external Digital Front End (DFE).

All references will be to the "copier/printer."



**NOTE:** Refer to the appropriate documentation for space, environmental, and electric requirements for an external DFE installation.

- 1** Using the Site Analysis Templates, Grid Sheet, and Carrier Diagrams as originals, make 100% copies, as needed, for proposed copier/printer installations. Keep your copies and the originals in a single folder.
- 2** Determine if the proposed installation space is adequate. Prepare a site drawing. Fully measure the proposed area and draw the walls and other objects in the installation area. For increased accuracy, use a copy of the Grid Sheet for the drawing. The Grid Sheet uses a scale of 1/4 inch to represent 1 foot (1mm to 48mm). It is important to determine whether the proposed site meets minimum space requirements.

Refer to the Faultless Install section in the *DocuColor 12 Student Guide* for more information about preparing a site drawing.

- 3** Determine whether a stationary or a movable installation is required. See the copier/printer Space Envelope Dimensions, and the site templates to determine the area needed for each proposed installation.

If a Stationary installation is chosen, the indicated space envelope must be maintained at all times. This eliminates the need for a Mobility Assist Device on a carpeted floor. For such installations, refer to the detailed instructions for stationary installations.

Choose a movable installation if the customer does not have adequate space for a stationary installation or if the customer requests that the copier/printer be placed as close to a rear wall as possible. Movable installations must also be used if the copier/printer is to be placed on specific carpeted floors. (Refer to the installation requirements for carpet pile, carpet backing and machine weight specifications.) A Mobility Assist Device is required for installations on most carpeted floors. Refer to the instructions for movable installations for further information.

- 4** Ensure that there are no obstructions within the required space envelope, such as shelves attached to a wall, that are less than 78 inches (1981mm) above the floor.

**5** Check the location of the electrical outlets to be used.

The DocuColor 12 copier/printer uses a 20 amp, 120 volt outlet receptacle. The DocuColor 12 printer uses a 15 amp, 120 volt outlet receptacle. Configurations with external DFEs will require two or more outlets.

Use the appropriate worksheets and electrical requirements in this book to determine suitable outlets for the DocuColor 12. Record the location of the outlets nearest to the copier/printer rear panel on your site drawing.

For specific requirements for the external DFE, refer to the documentation for the external DFE.

**6** The space requirements shown in the site template are needed for normal operator functions and routine service. This space must be free of any obstructions, either fixed or movable. This space must not be used as a traffic area or as a storage area. These templates define the minimum space which is required and must not be violated.

**7** Refer to the manual installation requirements in case of an infringement on the space requirements as shown on the site templates. Also, refer to local installation rules.

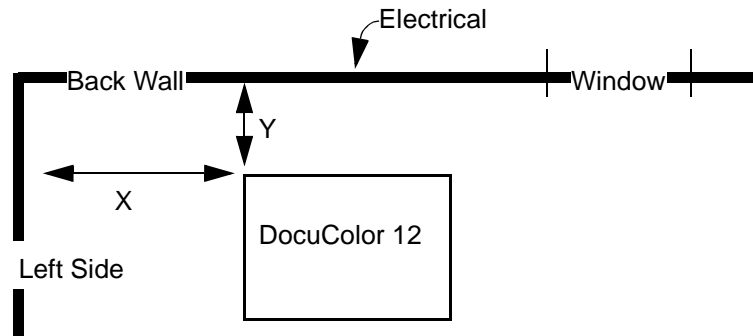
**8** Prepare a simple diagram that indicates the exact location dimensions for correct installation of the copier, the printer or the copier/printer. This diagram is used by the Carrier. Copy the form at the end of this book to prepare a site drawing.

Refer to the Faultless Install section in the *DocuColor 12 Student Guide* for more information about preparing this drawing.

### ***Carrier diagram for copier only installations***

Clearly indicate the location of the left rear corner of the copier processor in relation to a fixed object in the room, such as a wall. Be sure to indicate ONLY two dimensions on the diagram from the corner of the processor for correct copier positioning. Show the location of the intended electrical outlet on your diagram also. Do not include any dimensions on the drawing that may confuse the Carrier.

### **Acceptable Carrier diagram for Copier only installations**



### ***Carrier diagram for copier/printer installations***

Complete the drawing exactly as you would for the copier only, ***making sure to take into account the copier/printer space requirements and the requirements of the installation.*** Include the location of the intended electrical outlet for the copier/printer.

- 1** Make copies of the completed drawing. Leave one copy at the site for the delivery crew. Send one copy to CBR. Give additional copies to the customer or customers who could potentially interface with the carrier at the time of the copier/printer installation.
- 2** Walk through the proposed delivery path with the customer. Ensure that all doorways and turning radii are adequate for delivery of the DocuColor 12. See the installation requirements, for the minimum passage width dimensions that are required.
- 3** Complete the Installation Checklist.

## ***Stationary Installation***

Choose a stationary installation when the space envelope requirements can be met for the configuration to be installed in the space in which it is to be placed.

- 1** Prepare the site drawing as explained. Use a side wall, or any fixed object on either side of the proposed installation site, as a reference point.
- 2** Carefully cut along the outside black border of the appropriate Stationary Installation Site Analysis Template.
- 3** Place the template in the proposed location on your site drawing.



- 4** Check for any obstructions.
- 5** Determine whether an existing outlet is located properly, or if a new outlet must be installed. Use the worksheets to determine whether an existing outlet is suitable.
- 6** Once you have measured the physical space and completed the site drawing, prepare the Carrier drawing that will be provided for the delivery crew.



**NOTE:** All measurements on the site drawings are made from the left rear corner of the Processor or Sorter.

To convert from inch to metric measurements, use the following table:

INCH	METRIC
1"	25.4 mm
12"	305 mm
39.4"	1 m
120"	3.05 m

**Table 1: Basic conversions**

## ***Movable Installation***

Choose a movable installation when the customer does not have adequate space for a stationary installation or when the customer requests that the copier/printer be placed as close to a rear wall as possible. Movable installations may also be required if the copier/printer is to be placed on a carpeted floor.

- 1** Prepare the site drawing as explained. Use a side wall, or any fixed object on either side of the proposed installation site, as a reference point.

The Mobility Assist Device may be necessary for a movable installation on carpet. (Refer to the installation requirements for carpet pile, carpet backing and copier/printer weight specifications.) For hard surface floors, a Mobility Assist Device is not required.

- 2** Carefully cut along the outside black border of the appropriate Movable Installation Site Analysis Template.
- 3** Place the template in the proposed location on your site drawing.

- 4** Check for any obstructions.
- 5** Determine whether an existing outlet is located properly, or if a new outlet must be installed. Use the worksheets to determine whether an existing outlet is suitable.
- 6** Once you have measured the physical space and completed the site drawing, prepare the Carrier drawing that will be provided for the delivery crew.



**NOTE:** All measurements on the site drawings are made from the left rear corner of the Processor or Sorter.

To convert from inch to metric measurements, use the following table:

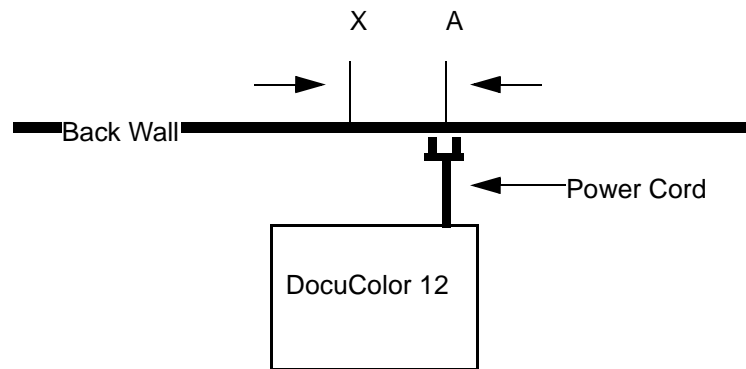
INCH	METRIC
1"	25.4 mm
12"	305 mm
39.4"	1 m
120"	3.05 m

**Table 2: Basic Conversions**

## ***DocuColor 12 Stationary or Movable Installation Electrical Service Outlet Worksheet***

Ensure that the power outlet is in the required location:

- 1** Locate point A on the rear wall, directly behind the point at which the power cord connects to the copier/printer.
- 2** Locate Point X by measuring a distance of 3" (8 mm) to the left of point A.



- 3** Measure the distance between Point X and the intended copier/printer power outlet.
- 4** The distance between Point X and the intended power outlet must be 6 feet (1.8 meters) or less.

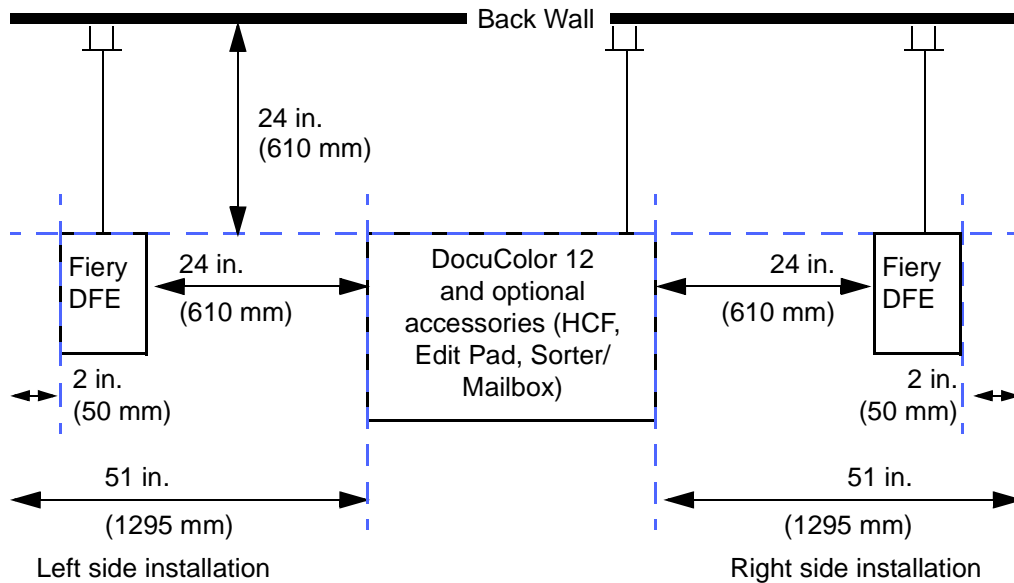
**External Digital Front End (Tier I DFE)  
Electrical Service Outlet  
and Space Requirements Worksheet**

Since the DocuColor 12 requires a sole use outlet, the external (Tier I) DFE cannot share the same outlet with the copier.

The power outlet for the DFE must be within a 3 foot radius from the back of the unit for both stationary and movable installations, and right and left side installations. See the following diagrams.

Minimum space requirements for Fiery DFEs:

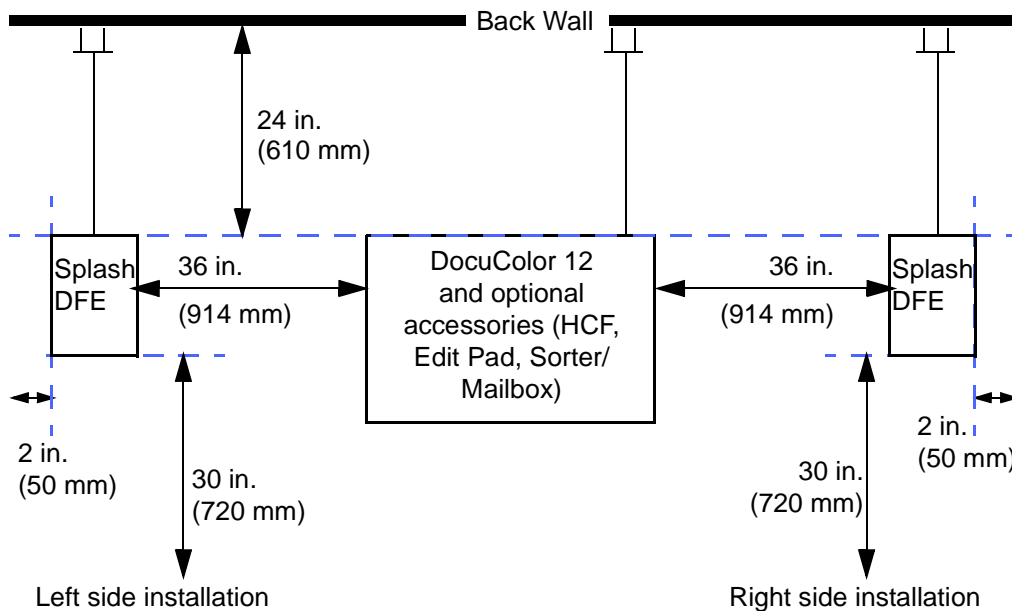
- 24 inches (610 mm) on the right side or left side between the DocuColor 12 or any accessories (High Capacity Feeder, Sorter/ Mailbox, or Edit Pad) and the DFE.
- 24 inches (610 mm) between the DFE and the back wall.
- 2 inches (50 mm) between the DFE and a side wall.



**Figure 1: Minimum space requirements for Fiery Servers  
(not drawn to scale)**

Minimum space requirements for Splash DFEs:

- 36 inches (914 mm) on the right side or left side between the DocuColor 12 or any accessories (High Capacity Feeder, Sorter/ Mailbox, or Edit Pad) and the DFE.
- 24 inches (610 mm) between the DFE and the back wall.
- 2 inches (50 mm) between the DFE and a side wall.



**Figure 2: Minimum space requirements for Splash Servers (not drawn to scale)**

## ***Installation Checklist***

The purpose of this checklist is to verify that the installation site meets Xerox standards and requirements for the safe operation and service of the copier or copier/printer.

Verify the following items prior to the installation:

- Ensure that the installation site meets space requirements.
- Ensure that a Mobility Assist Device has been ordered, if needed.
- Ensure that the required electrical service is available.
- Check the unloading site and aisles to ensure that the space is adequate for movement of the copier/printer to the installation site. Check the delivery path for special requirements for the Carrier, such as stair crawlers or the need for upending.
- Note any site problems and report any issues to the responsible team in the district.
- Schedule training. Collect typical sample jobs from the customer.
- Note any competitive activity, and provide this information to the sales organization.

## ***Installation and Callback Checklist***

Verify the following items after the installation:

- Check the copier/printer operation and the copy quality.
- Check the supplies inventory and encourage the use of Xerox products.
- Show the operators how to run their jobs, and offer your assistance as necessary. Build the confidence level in the operators.
- Review the billing procedure with the customer.
- Check the level of customer satisfaction.
- Note and report any problems to the responsible team in the district

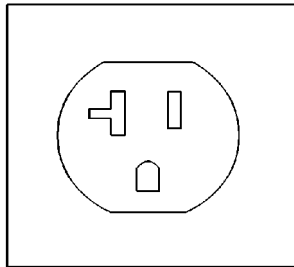


**DO NOT REMOVE! For Xerox Carrier**

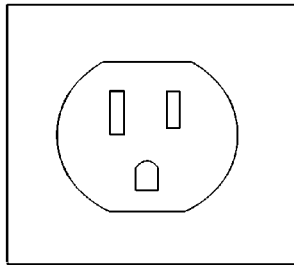
DMTR NAME \_\_\_\_\_ TELEPHONE (\_\_\_\_) \_\_\_\_\_

MODEL \_\_\_\_\_

\_\_\_\_\_ Draw a diagram of the room. Clearly indicate the location of the left rear corner of the processor (excluding Sorter or Output Tray) in relation to a fixed object in the room, such as a wall. Be sure to indicate TWO measurement dimensions.



**DocuColor 12 Copier/Printer - 20 Amperes, 120 VAC**



**DocuColor 12 Copier - 15 Amperes, 120 VAC  
(Will Not Work for Copier/Printer)**

\_\_\_\_\_ Power outlet installed?  
YES  NO  (check one.)  
Show the locations of the outlets on the drawing.

\_\_\_\_\_ For installations with an external DFE, note the location of the unit.

---

\_\_\_\_\_ Make copies of this drawing. Leave one copy at the site for the delivery crew. Send one copy to CBR. Give additional copies to the customer or customers who could potentially interface with the rigger at the time of the copier/printer installation.

## Specifications

### Dimensions

<b>Copier with DADF</b>		
<b>Width</b>	24.5 in.	622.3 mm
<b>Height</b>	43.8 in.	1112.5 mm
<b>Depth</b>	31.5 in.	800 mm

<b>Copier with Platen Glass Cover</b>		
<b>Width</b>	24.5 in.	622.3 mm
<b>Height</b>	40 in.	1016 mm
<b>Depth</b>	31.5 in.	800 mm

<b>Sorter/Mailbox</b>		
<b>Width</b>	28 in.	711.2 mm
<b>Height</b>	40.5 in.	1029 mm
<b>Depth</b>	24.25 in.	616 mm

<b>High Capacity Feeder</b>		
<b>Width</b>	18.12 in.	460.2 mm
<b>Height</b>	17 in.	432 mm
<b>Depth</b>	23 in.	584 mm

<b>Printer</b>		
<b>Width</b>	24.5 in.	622.3 mm
<b>Height</b>	38.84 in.	986.5 mm
<b>Depth</b>	31.5 in.	800 mm

## ***Environmental Requirements***

### ***DocuColor 12 Copier/Printer***

<b>Humidity Non-Condensing</b>	Minimum	15% relative humidity
	Maximum	85% relative humidity
<b>Operating Temperatures</b>	Minimum	50°F (10°C) at 15% relative humidity
	Maximum	95°F (35°C) at 85% relative humidity
<b>Maximum Altitude</b>	10,000 feet (3050 meters) in normal configuration	
<b>Heat Output</b>	Operating	4080 BTUs per hour, average
	Standby	2720 BTUs per hour, average

### ***DocuColor 12 Printer***

<b>Humidity Non-Condensing</b>	Minimum	15% relative humidity
	Maximum	85% relative humidity
<b>Operating Temperatures</b>	Minimum	50°F (10°C) at 15% relative humidity
	Maximum	95°F (35°C) at 85% relative humidity
<b>Maximum Altitude</b>	10,000 feet (3050 meters) in normal configuration	
<b>Heat Output</b>	Operating	3755 BTUs per hour, average
	Standby	1230 BTUs per hour, average

**Electrical Power Requirements:**

**115V - 60Hz**

**DocuColor 12 Copier/Printer**

<b>Specifications</b>	Single phase	Two wire plus earth ground
	Current service	20 Amps (Dedicated line recommended but not required)
	Line-to-Neutral	115 Volts ( $\pm 10\%$ )
	Frequency	60 Hz Contact your Xerox Service Representative for more information.
<b>Max. Power Consumption</b>		2.112 kVA
<b>Current Loads @ 115V</b>	Warm-up	12.5 Amps (1.60 kVA) (approx.)
	Stand-by Average	7 Amps (0.8 kVA) (approx.)
	Average Run Mode (4-Color)	10 Amps (1.2 kVA) (approx.)

### **DocuColor 12 Printer**

<b>Specifications</b>	Single phase	Two wire plus earth ground
	Current service	15 Amps (Dedicated line recommended but not required)
	Line-to-Neutral	115 Volts ( $\pm 10\%$ )
	Frequency	60 Hz Contact your Xerox Service Representative for more information.
<b>Max. Power Consumption</b>		1.584 kVA
<b>Current Loads @ 115V</b>	Warm-up	11 Amps (1.265 kVA) (approx.)
	Stand-by Average	5.3 Amps (0.6 kVA) (approx.)
	Average Run Mode (4-Color)	7.5 Amps (0.9 kVA) (approx.)

**220V-240V - 50Hz**

**DocuColor 12 Copier/Printer**

<b>Specifications</b>	Single phase	Two wire plus earth ground
	Current service	15 Amps (Dedicated line recommended but not required)
	Line-to-Neutral	220 - 240 Volts ( $\pm 10\%$ )
	Frequency	50 Hz Contact your Xerox service representative for more information.
<b>Max. Power Consumption @ 220 Volts</b>		2.2 kVA
<b>Current Loads @ 240V</b>	Warm-up	8.0 Amps (1.6 kVA) (approx.)
	Stand-by Average	3.8 Amps (800 VA) (approx.)
	Average Run Mode (4-Color)	5.7 Amps (1.2 kVA) (approx.)

### **DocuColor 12 Printer**

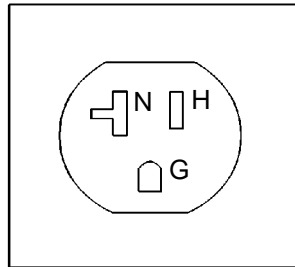
<b>Specifications</b>	Single phase	Two wire plus earth ground
	Current service	15 Amps (Dedicated line recommended but not required)
	Line-to-Neutral	220 - 240 Volts ( $\pm 10\%$ )
	Frequency	50 Hz Contact your Xerox service representative for more information.
<b>Max. Power Consumption @ 220 Volts</b>		1.584 kVA
<b>Current Loads @ 240V</b>	Warm-up	6.3 Amps (1.265 kVA) (approx.)
	Stand-by Average	3 Amps (0.6 kVA) (approx.)
	Average Run Mode (4-Color)	4.5 Amps (0.9 kVA) (approx.)



## ***Power Receptacle Requirements***

### ***DocuColor 12 Copier/Printer***

***20 Amperes - 120 VAC***



**NEMA5 - 20R**

**H-N 120 VAC**

**N-G 5 VAC or Less**

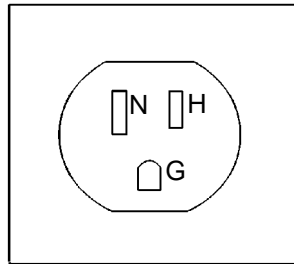


**NOTE:** Customer will supply a 20 ampere source for a DocuColor 12 Copier/Printer as depicted above. A dedicated line is recommended but not required. Xerox will provide the proper power cord to fit the configuration. The box and receptacle configuration must be used for surface mounting only. They must not be used as a tie point, but only as a deadhead type of installation.

**DocuColor 12 Printer**

**15 Amperes - 120 VAC**

**(Will Not Work for Copier /Printer)**



**NEMA5 - 15R**

**H-N 120 VAC**

**N-G 5 VAC or Less**

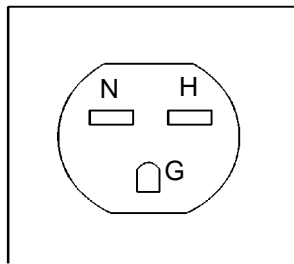


**NOTE:** Customer will supply a 15 ampere source for a DocuColor 12 Printer as depicted above. Xerox will provide the proper power cord to fit the configuration. The box and receptacle configuration must be used for surface mounting only. They must not be used as a tie point, but only as a deadhead type of installation.

**DocuColor 12 Copier/Printer and DocuColor 12 Printer**

**15 Amperes**

**220 - 240 VAC, 50 Hz ( $\pm 10\%$ )**



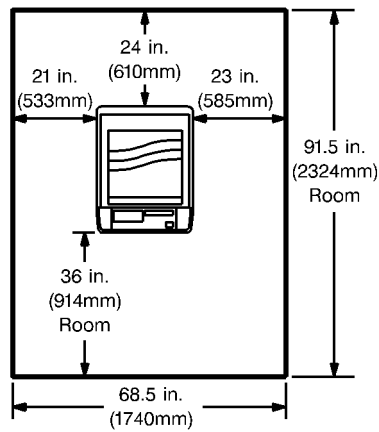
**NEMA6 - 15R**



**NOTE:** Customer will supply a 15 ampere source as depicted above. A dedicated line is recommended but not required. Xerox will provide the proper power cord to fit the configuration. The box and receptacle configuration must be used for surface mounting only.

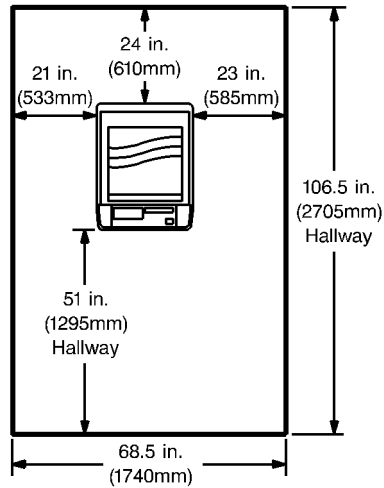
## ***DocuColor 12 installations***

### ***DocuColor 12 with DADF and Output Tray Stationary Installation (Room)***



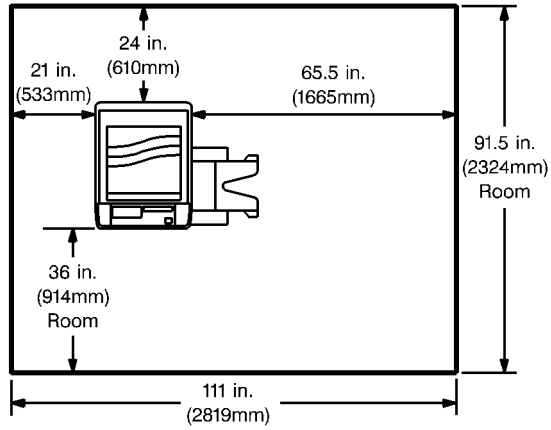
**T800001A-LYN**

**DocuColor 12 with DADF and Output Tray  
Stationary Installation (Hallway)**



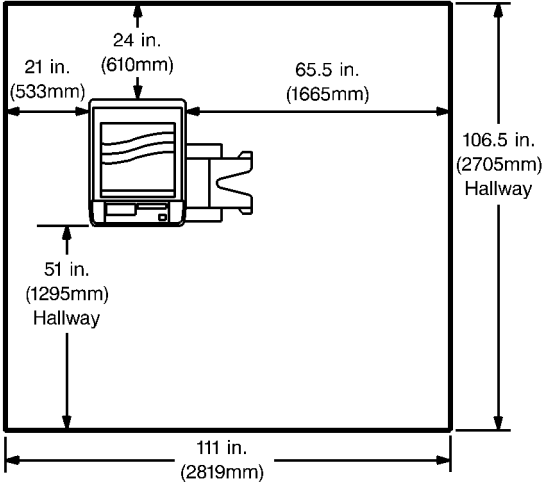
T800002A-LYN

**DocuColor 12 with DADF and Sorter/Mailbox  
Stationary Installation (Room)**



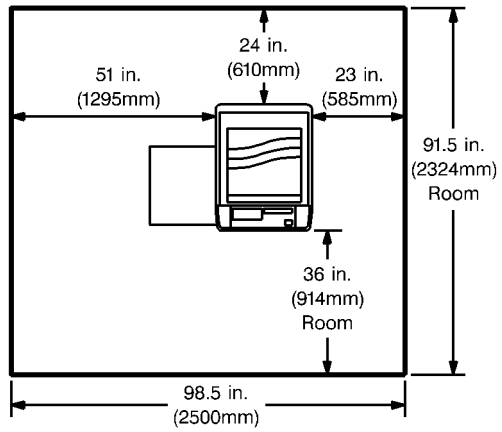
T800003A-LYN

**DocuColor 12 with DADF and Sorter/Mailbox  
Stationary Installation (Hallway)**



T800004A-LYN

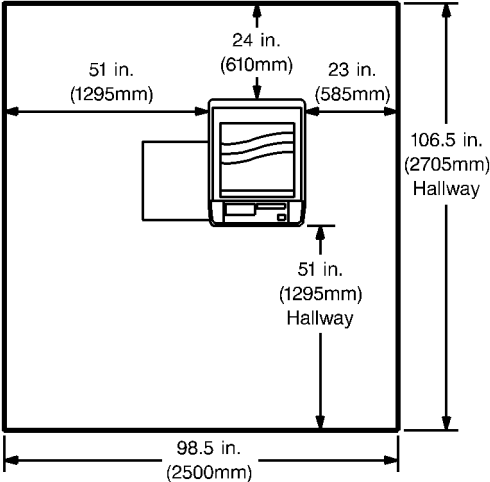
**DocuColor 12 with DADF and High Capacity Feeder  
Stationary Installation (Room)**



T800005A-LYN

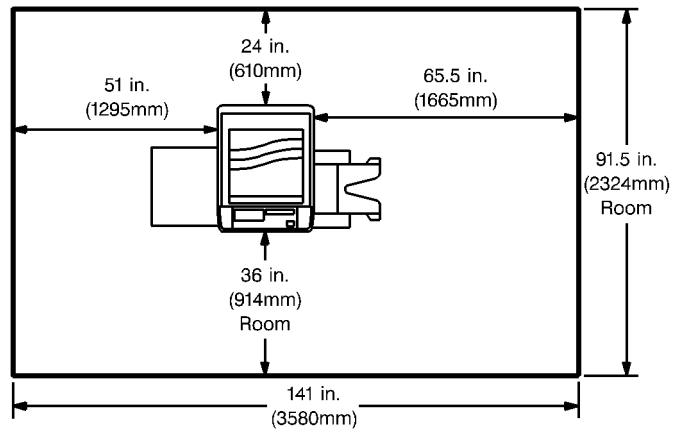


**DocuColor 12 with DADF and High Capacity Feeder  
Stationary Installation (Hallway)**



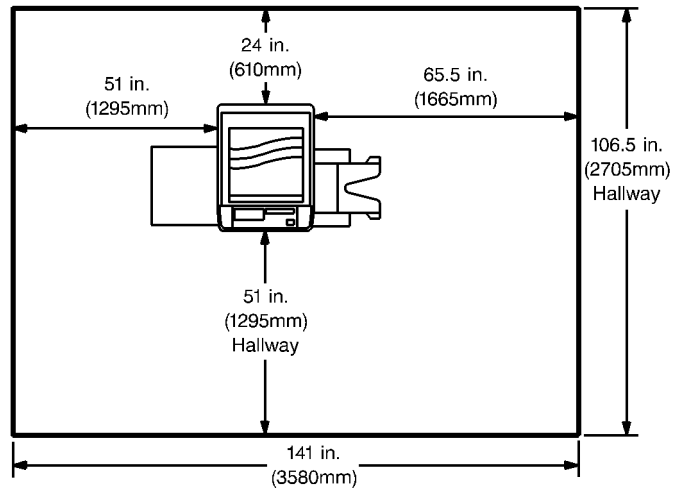
T800006A-LYN

**DocuColor 12 with DADF, High Capacity Feeder,  
and Sorter/Mailbox  
Stationary Installation (Room)**



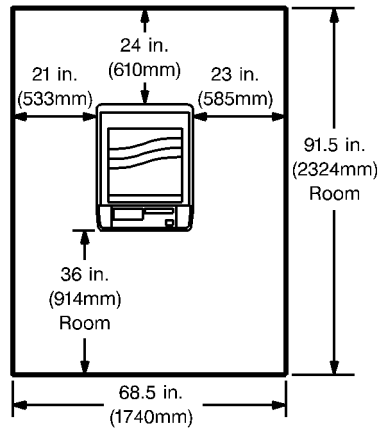
T800007A-LYN

**DocuColor 12 with DADF, High Capacity Feeder,  
and Sorter/Mailbox  
Stationary Installation (Hallway)**



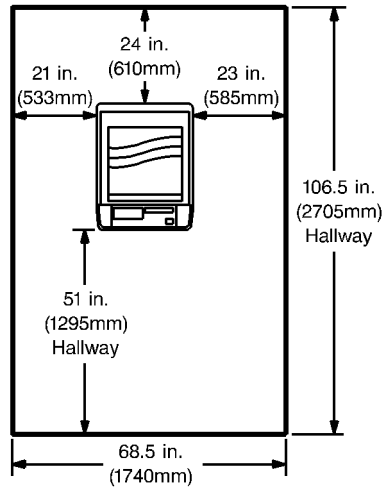
T800008A-LYN

**DocuColor 12 with Platen Cover and Output Tray  
Stationary Installation (Room)**



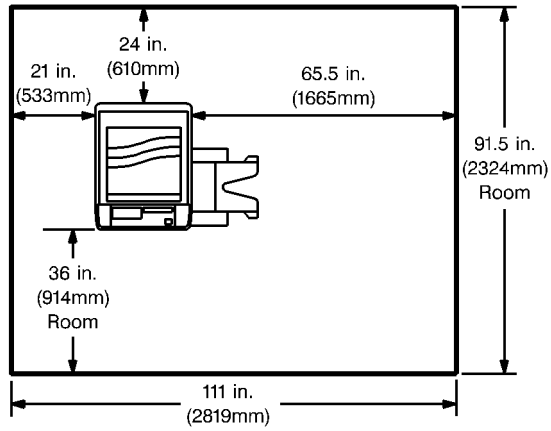
T800001A-LYN

***DocuColor 12 with Platen Cover and Output Tray  
Stationary Installation (Hallway)***



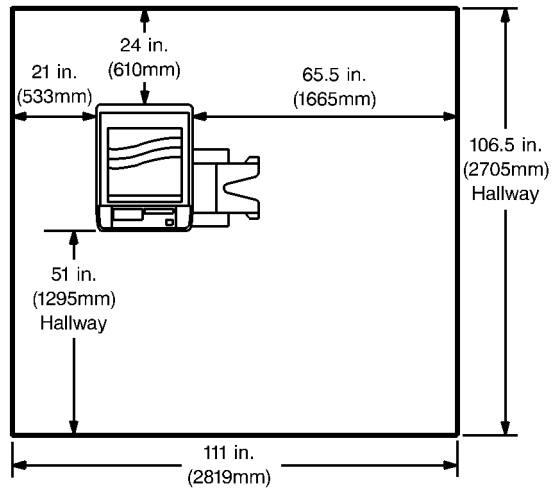
T800002A-LYN

**DocuColor 12 with Platen Cover and Sorter/Mailbox  
Stationary Installation (Room)**



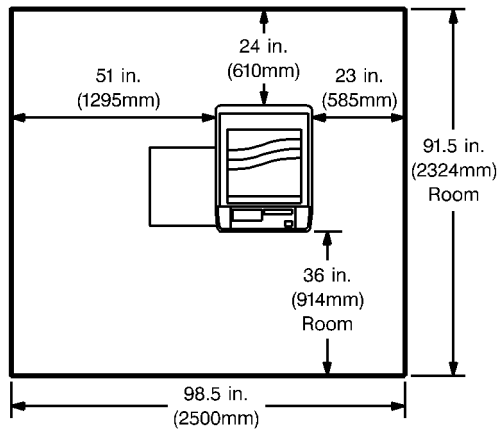
T800003A-LYN

***DocuColor 12 with Platen Cover and Sorter/Mailbox  
Stationary Installation (Hallway)***



T800004A-LYN

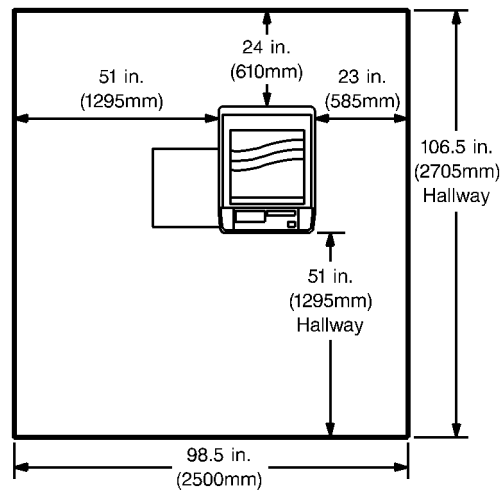
**DocuColor 12 with Platen Cover and  
High Capacity Feeder  
Stationary Installation (Room)**



T800005A-LYN

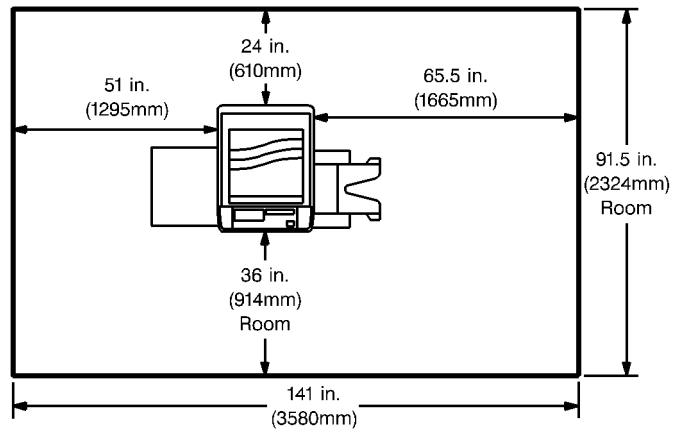


**DocuColor 12 with Platen Cover and  
High Capacity Feeder  
Stationary Installation (Hallway)**



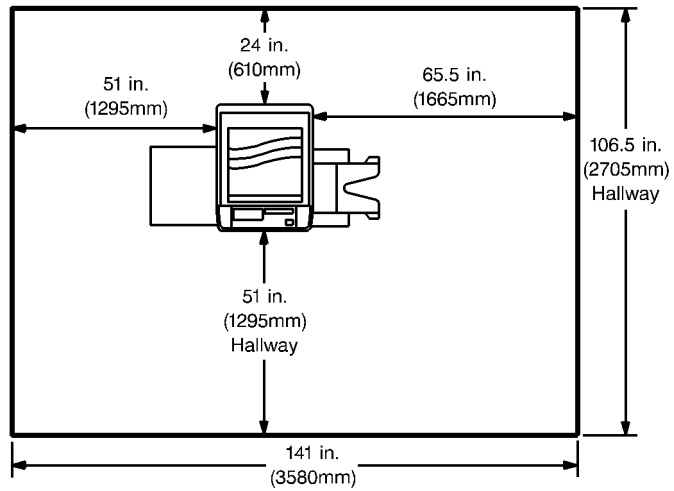
T800006A-LYN

**DocuColor 12 with Platen Cover,  
High Capacity Feeder, and Sorter/Mailbox  
Stationary Installation (Room)**



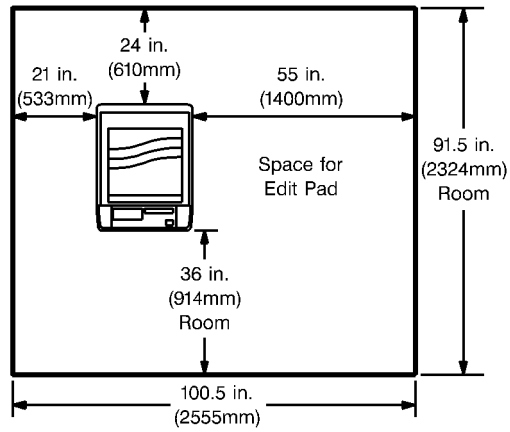
T800007A-LYN

***DocuColor 12 with Platen Cover,  
High Capacity Feeder, and Sorter/Mailbox  
Stationary Installation (Hallway)***



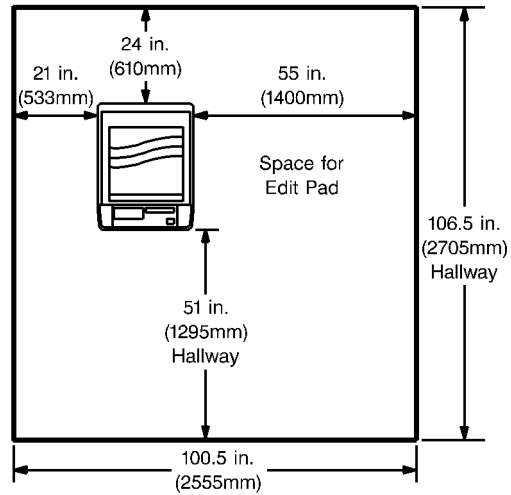
T800008A-LYN

**DocuColor 12 with DADF, Output Tray, and Edit Pad  
Stationary Installation (Room)**



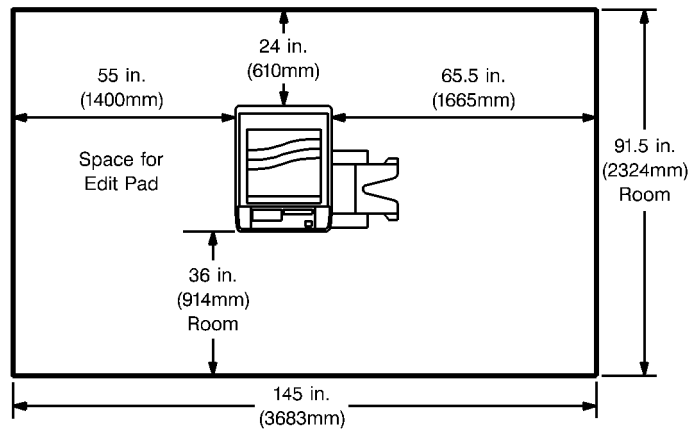
T800017A-LYN

**DocuColor 12 with DADF, Output Tray, and Edit Pad  
Stationary Installation (Hallway)**



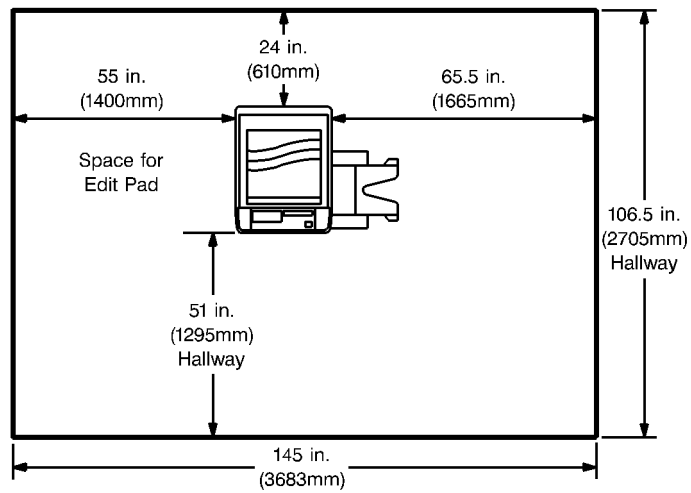
T800018A-LYN

**DocuColor 12 with DADF, Sorter/Mailbox,  
and Edit Pad  
Stationary Installation (Room)**



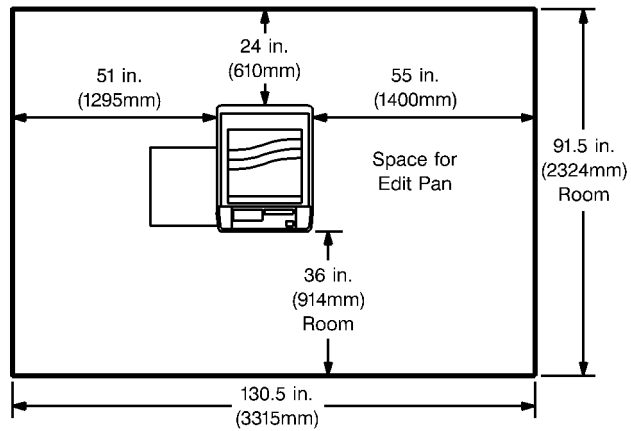
T800019A-LYN

**DocuColor 12 with DADF, Sorter/Mailbox,  
and Edit Pad  
Stationary Installation (Hallway)**



T800020A-LYN

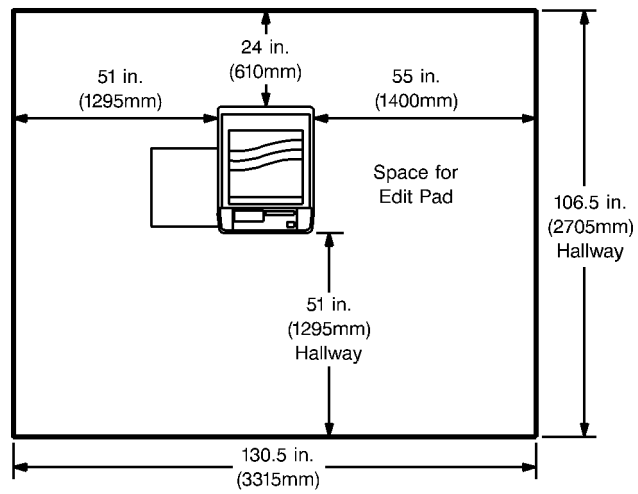
**DocuColor 12 with DADF, High Capacity Feeder,  
and Edit Pad  
Stationary Installation (Room)**



T800021A-LYN

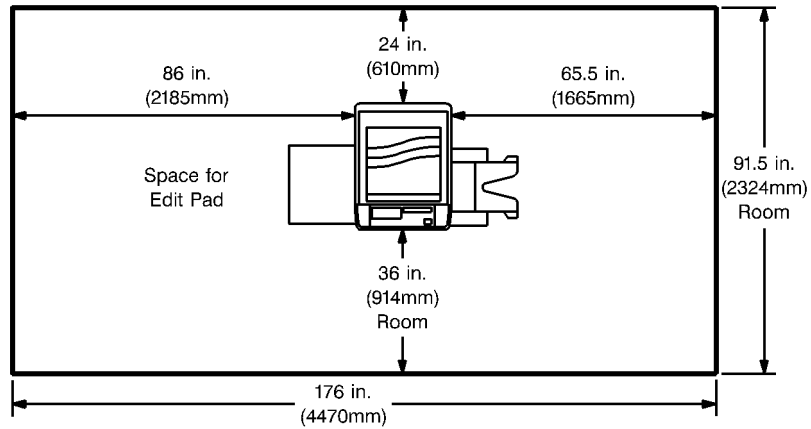


**DocuColor 12 with DADF, High Capacity Feeder,  
and Edit Pad  
Stationary Installation (Hallway)**



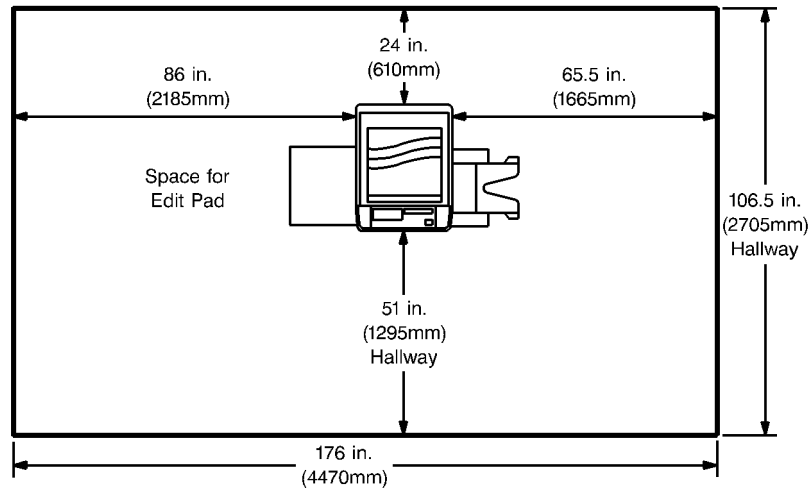
T800022A-LYN

**DocuColor 12 with DADF, High Capacity Feeder,  
Sorter/Mailbox, and Edit Pad  
Stationary Installation (Room)**



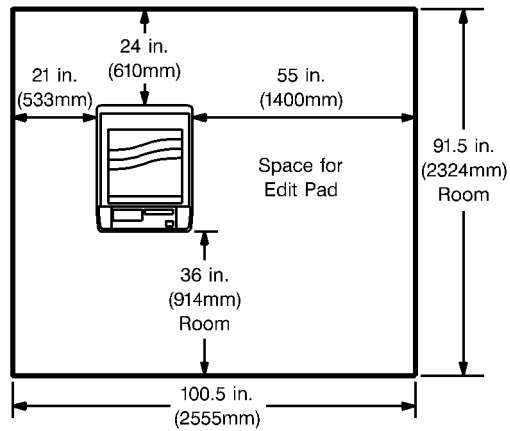
T800023A-LYN

**DocuColor 12 with DADF, High Capacity Feeder,  
Sorter/Mailbox, and Edit Pad  
Stationary Installation (Hallway)**



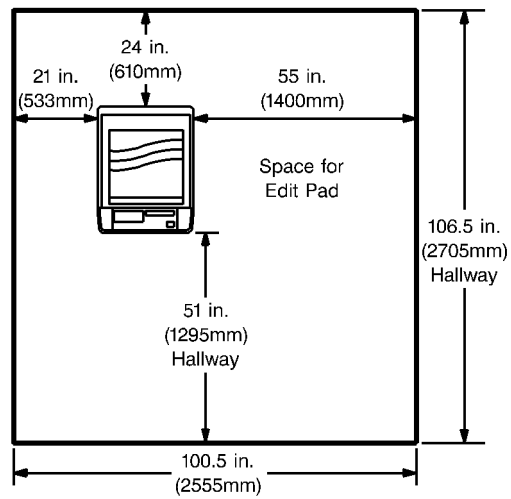
T800024A-LYN

**DocuColor 12 with Platen Cover, Output Tray  
and Edit Pad  
Stationary Installation (Room)**



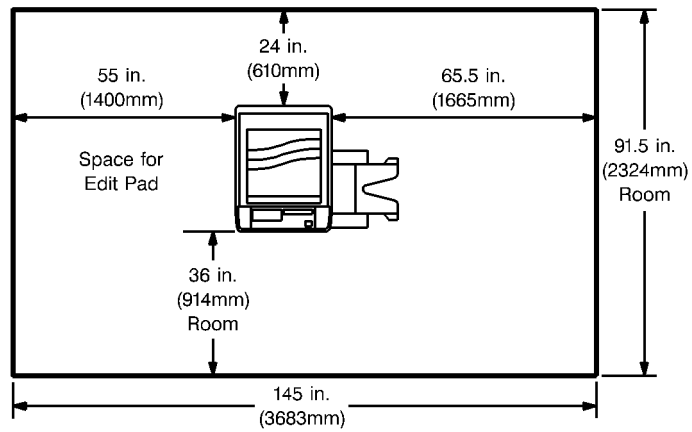
T800017A-LYN

**DocuColor 12 with Platen Cover, Output Tray  
and Edit Pad  
Stationary Installation (Hallway)**



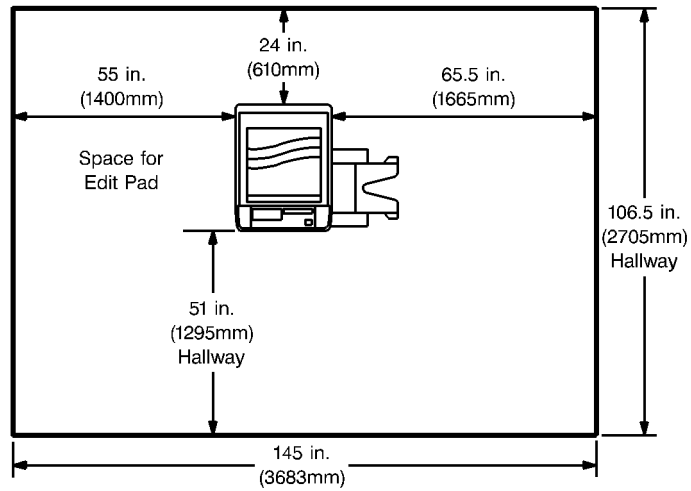
T800018A-LYN

**DocuColor 12 with Platen Cover, Sorter/Mailbox,  
and Edit Pad  
Stationary Installation (Room)**



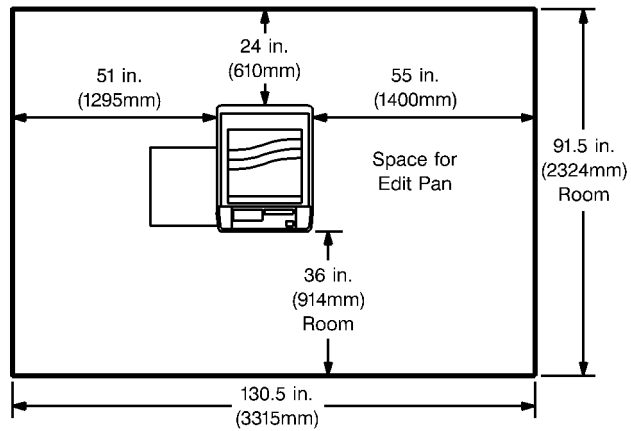
T800019A-LYN

**DocuColor 12 with Platen Cover, Sorter/Mailbox,  
and Edit Pad  
Stationary Installation (Hallway)**



T800020A-LYN

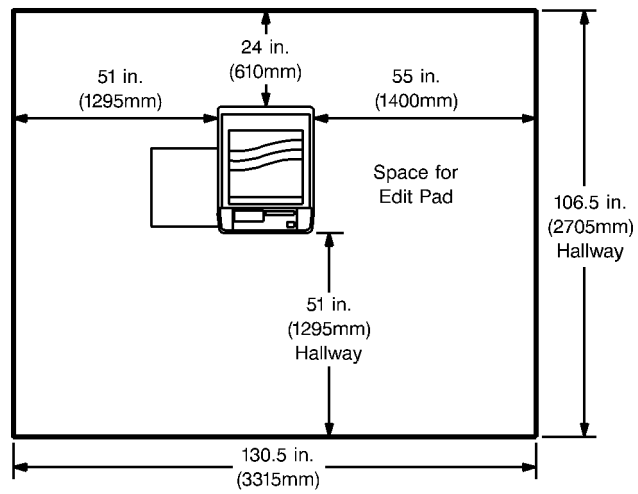
**DocuColor 12 with Platen Cover,  
High Capacity Feeder, and Edit Pad  
Stationary Installation (Room)**



T800021A-LYN

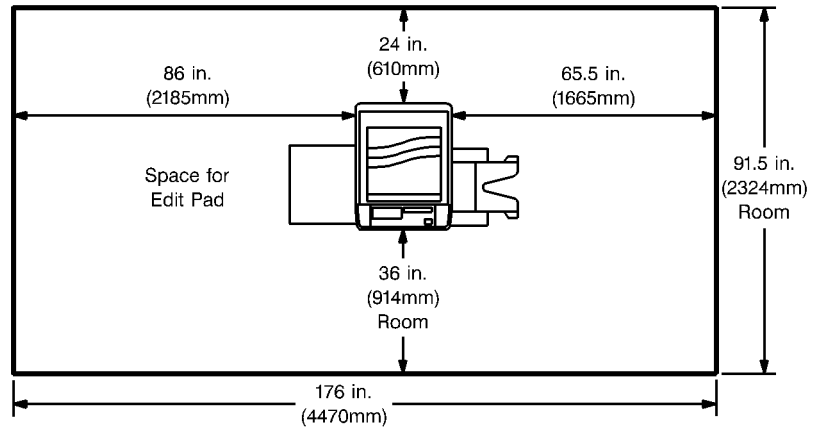


**DocuColor 12 with Platen Cover,  
High Capacity Feeder, and Edit Pad  
Stationary Installation (Hallway)**



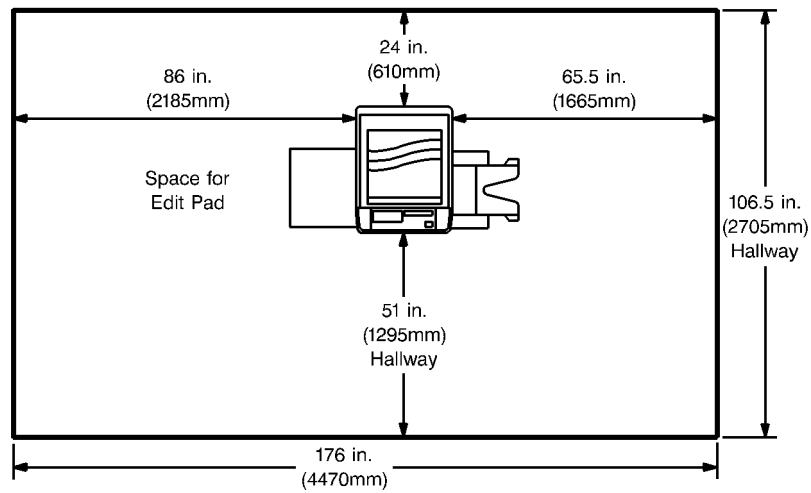
T800022A-LYN

**DocuColor 12 with Platen Cover,  
High Capacity Feeder, Sorter/Mailbox, and Edit Pad  
Stationary Installation (Room)**



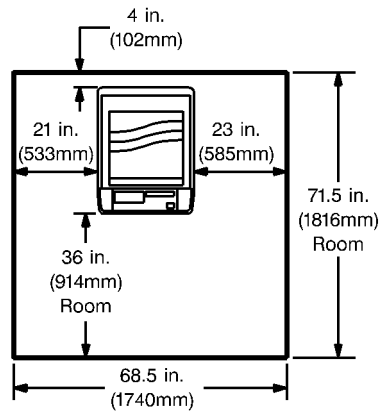
T800023A-LYN

**DocuColor 12 with Platen Cover,  
High Capacity Feeder, Sorter/Mailbox, and Edit Pad  
Stationary Installation (Hallway)**



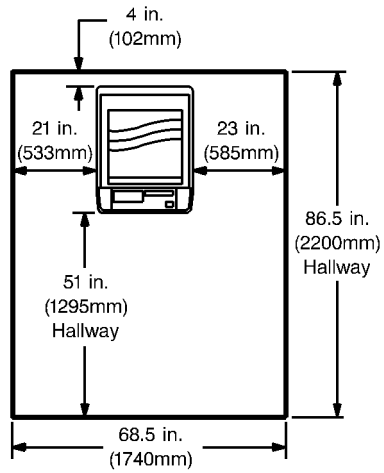
T800024A-LYN

**DocuColor 12 with DADF and Output Tray  
Movable Installation (Room)**



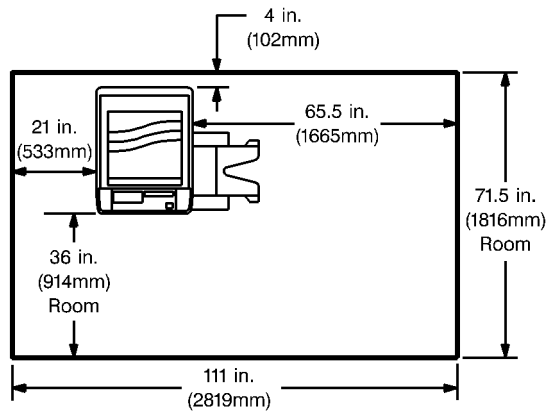
T800033A-LYN

**DocuColor 12 with DADF and Output Tray  
Movable Installation (Hallway)**



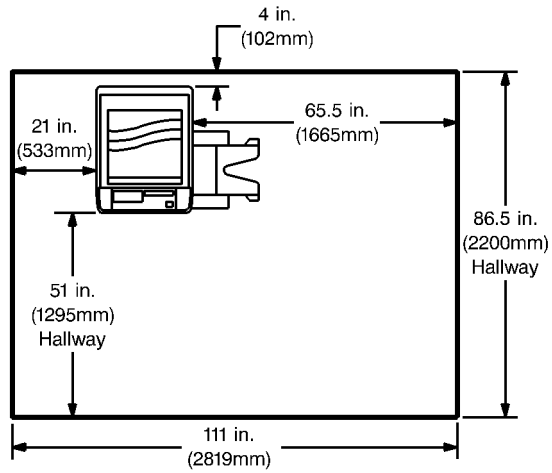
T800034A-LYN

**DocuColor 12 with DADF and Sorter/Mailbox  
Movable Installation (Room)**



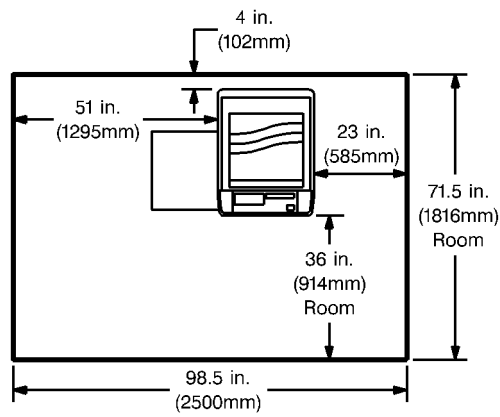
T800035A-LYN

**DocuColor 12 with DADF and Sorter/Mailbox  
Movable Installation (Hallway)**



T800036A-LYN

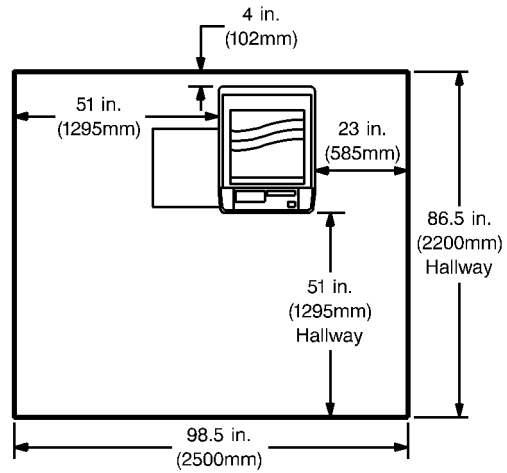
**DocuColor 12 with DADF and High Capacity Feeder  
Movable Installation (Room)**



T800037A-LYN

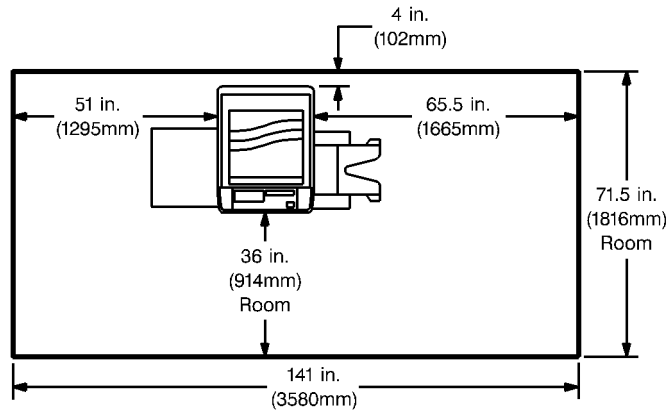


**DocuColor 12 with DADF and High Capacity Feeder  
Movable Installation (Hallway)**



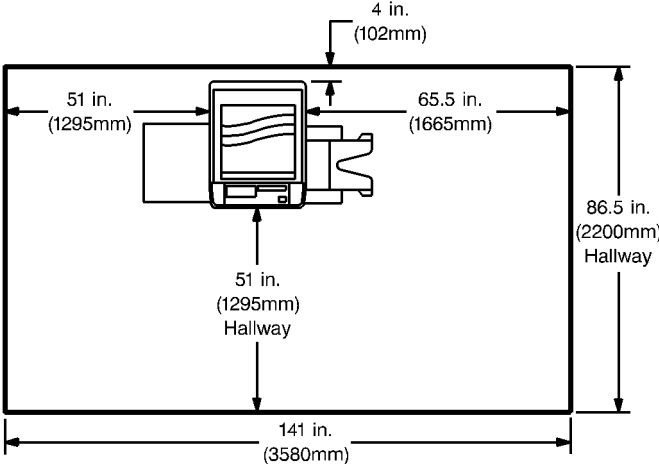
T800038A-LYN

**DocuColor 12 with DADF, High Capacity Feeder,  
and Sorter/Mailbox  
Movable Installation (Room)**



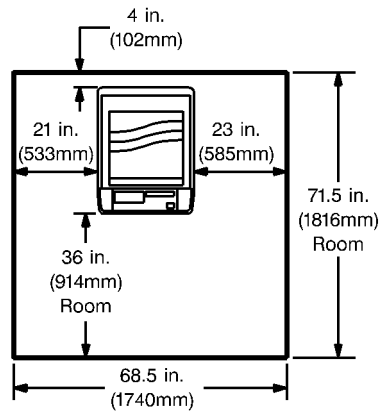
T800039A-LYN

**DocuColor 12 with DADF, High Capacity Feeder,  
and Sorter/Mailbox  
Movable Installation (Hallway)**



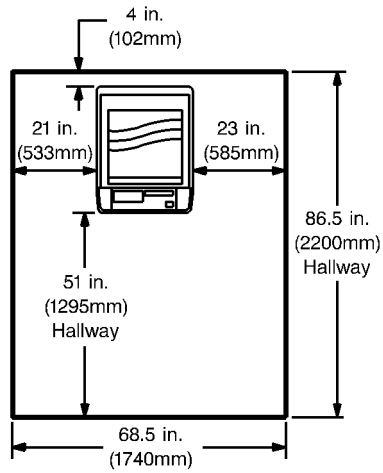
T800040A-LYN

**DocuColor 12 with Platen Cover and Output Tray  
Movable Installation (Room)**



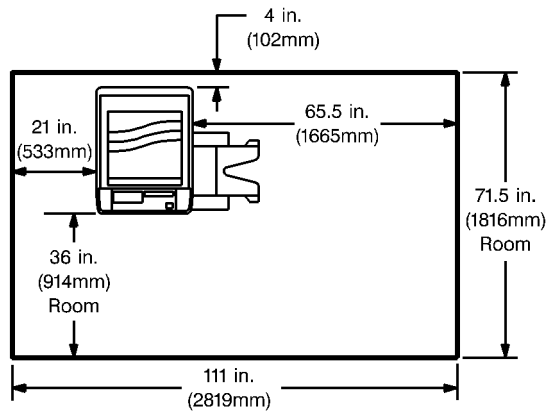
T800033A-LYN

**DocuColor 12 with Platen Cover and Output Tray  
Movable Installation (Hallway)**



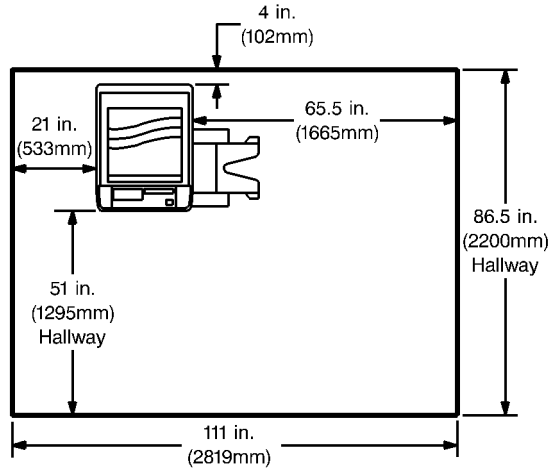
T800034A-LYN

**DocuColor 12 with Platen Cover and Sorter/Mailbox  
Movable Installation (Room)**



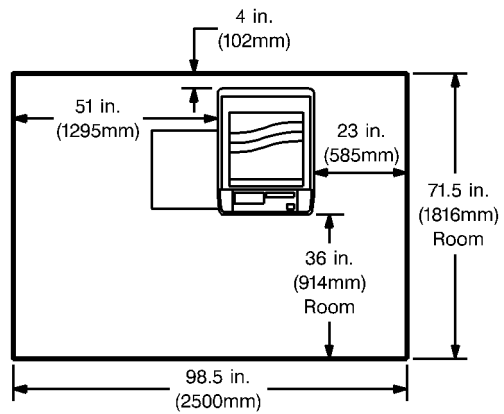
T800035A-LYN

**DocuColor 12 with Platen Cover and Sorter/Mailbox  
Movable Installation (Hallway)**



T800036A-LYN

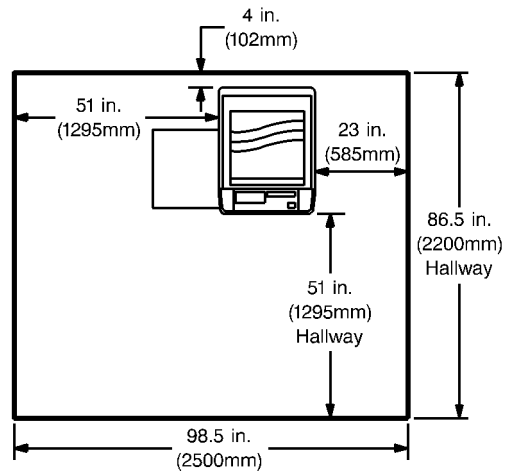
**DocuColor 12 with Platen Cover  
and High Capacity Feeder  
Movable Installation (Room)**



T800037A-LYN

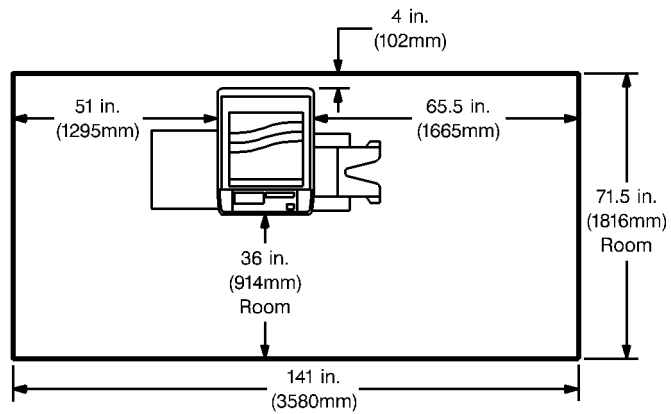


**DocuColor 12 with Platen Cover  
and High Capacity Feeder  
Movable Installation (Hallway)**



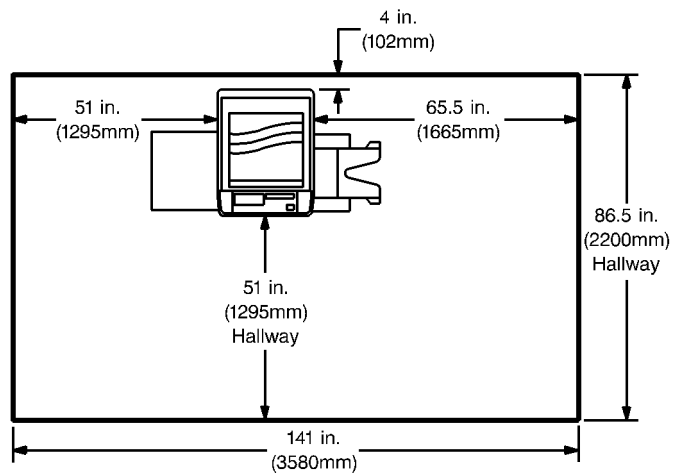
T800038A-LYN

**DocuColor 12 with Platen Cover,  
High Capacity Feeder, and Sorter/Mailbox  
Movable Installation (Room)**



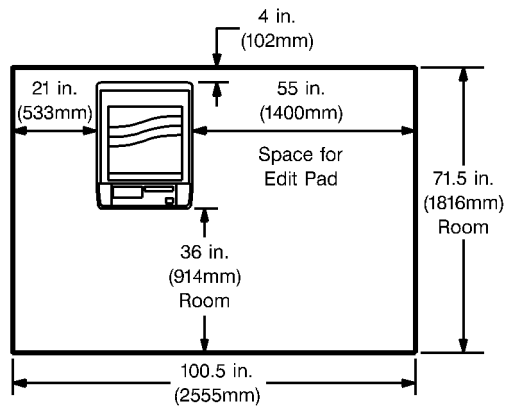
T800039A-LYN

**DocuColor 12 with Platen Cover,  
High Capacity Feeder, and Sorter/Mailbox  
Movable Installation (Hallway)**



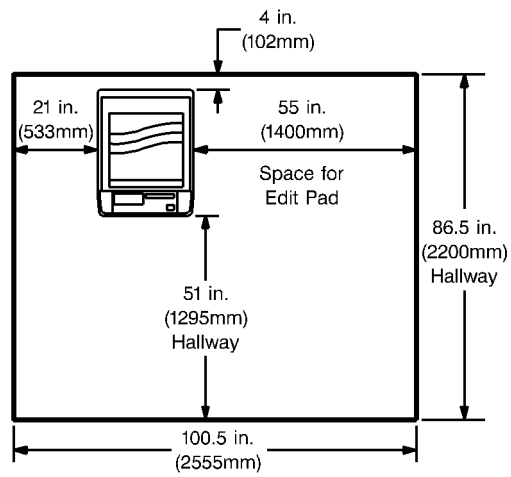
T800040A-LYN

**DocuColor 12 with DADF, Output Tray,  
and Edit Pad  
Movable Installation (Room)**



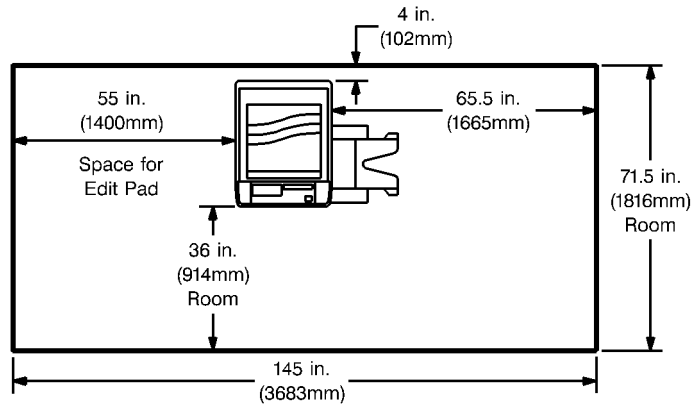
T800049A-LYN

**DocuColor 12 with DADF, Output Tray,  
and Edit Pad  
Movable Installation (Hallway)**



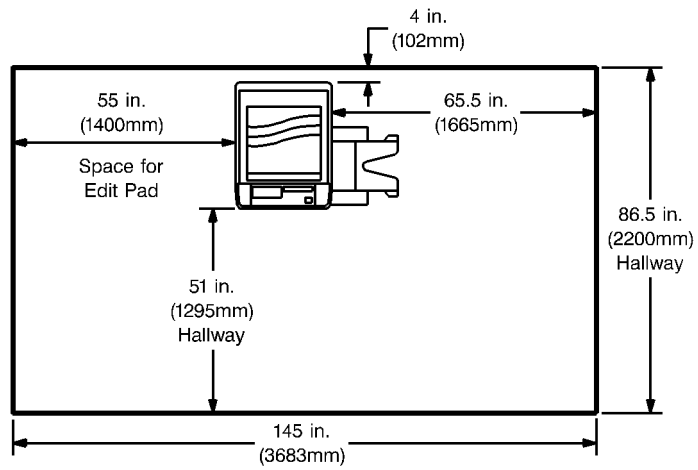
T800050A-LYN

**DocuColor 12 with DADF, Sorter/Mailbox,  
and Edit Pad  
Movable Installation (Room)**



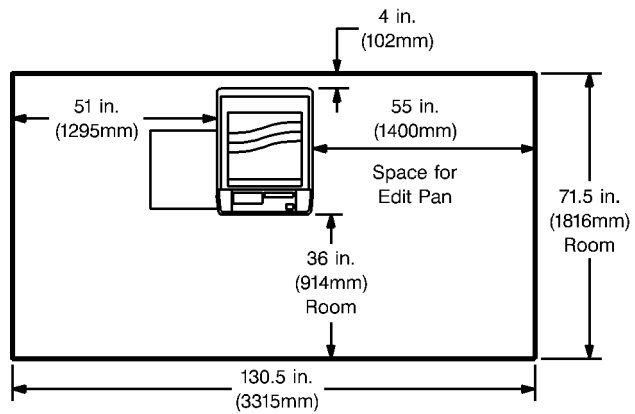
T800051A-LYN

**DocuColor 12 with DADF, Sorter/Mailbox,  
and Edit Pad  
Movable Installation (Hallway)**



T800052A-LYN

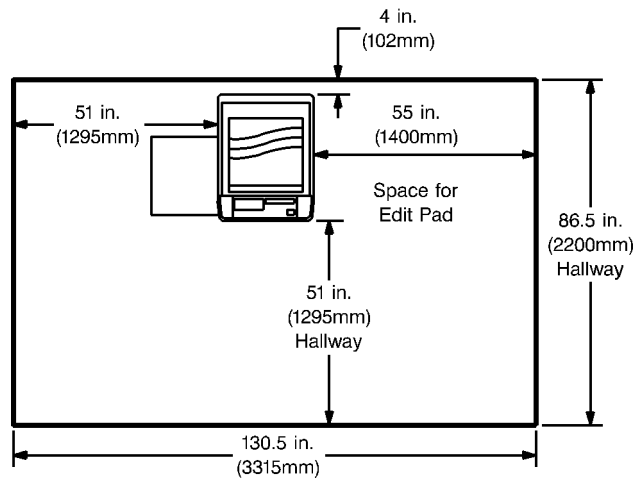
**DocuColor 12 with DADF, High Capacity Feeder,  
and Edit Pad  
Movable Installation (Room)**



T800053A-LYN

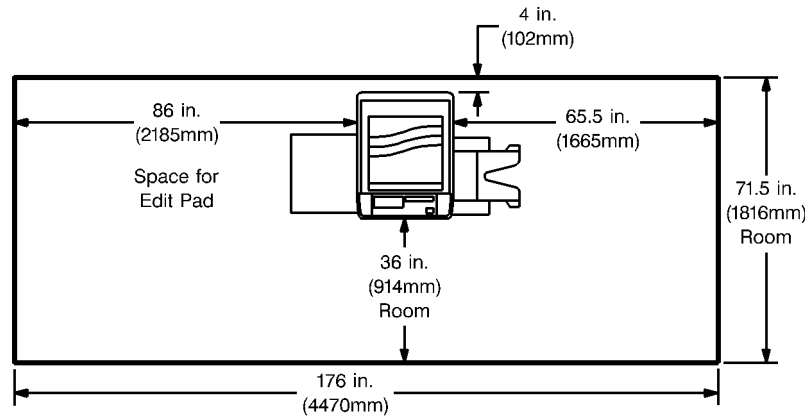


**DocuColor 12 with DADF, High Capacity Feeder,  
and Edit Pad  
Movable Installation (Hallway)**



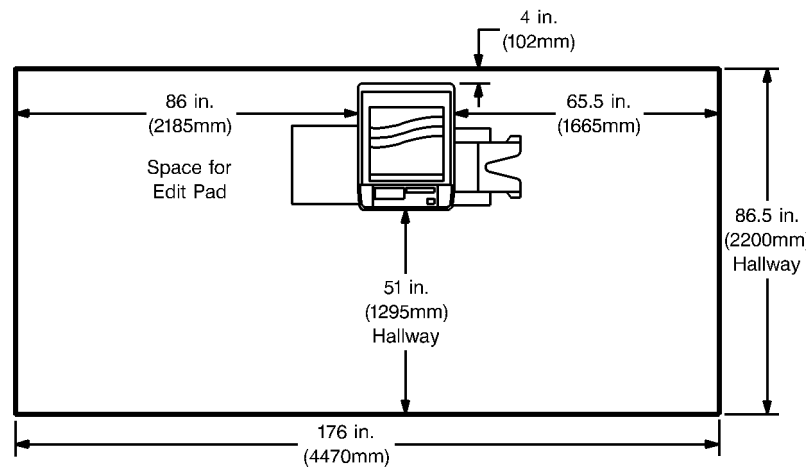
T800054A-LYN

**DocuColor 12 with DADF, High Capacity Feeder,  
Sorter/Mailbox, and Edit Pad  
Movable Installation (Room)**



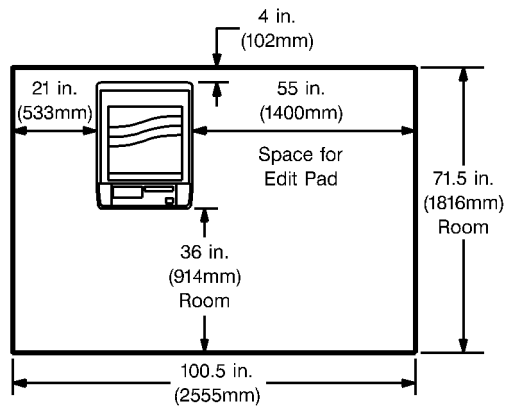
T800055A-LYN

**DocuColor 12 with DADF, High Capacity Feeder,  
Sorter/Mailbox, and Edit Pad  
Movable Installation (Hallway)**



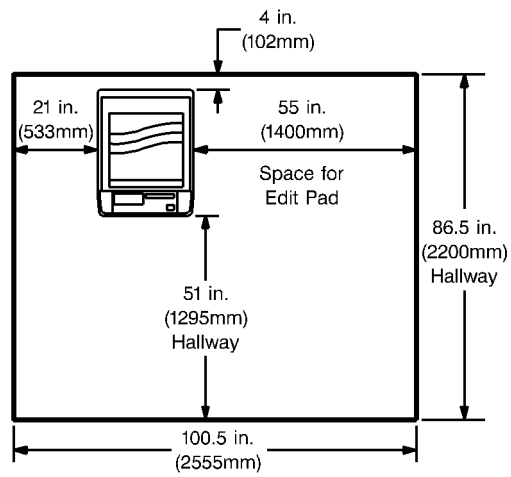
T800056A-LYN

**DocuColor 12 with Platen Cover, Output Tray,  
and Edit Pad  
Movable Installation (Room)**



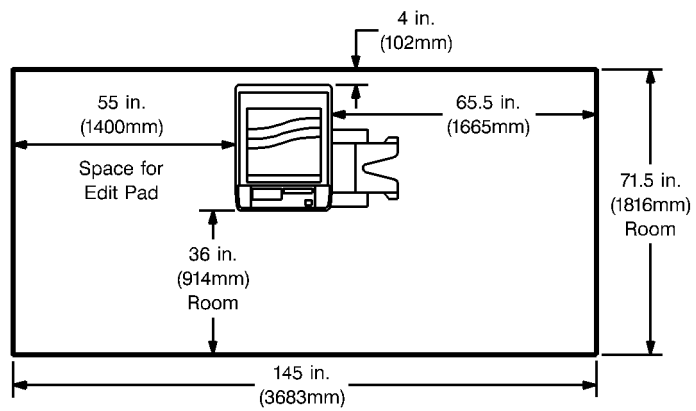
T800049A-LYN

**DocuColor 12 with Platen Cover, Output Tray,  
and Edit Pad  
Movable Installation (Hallway)**



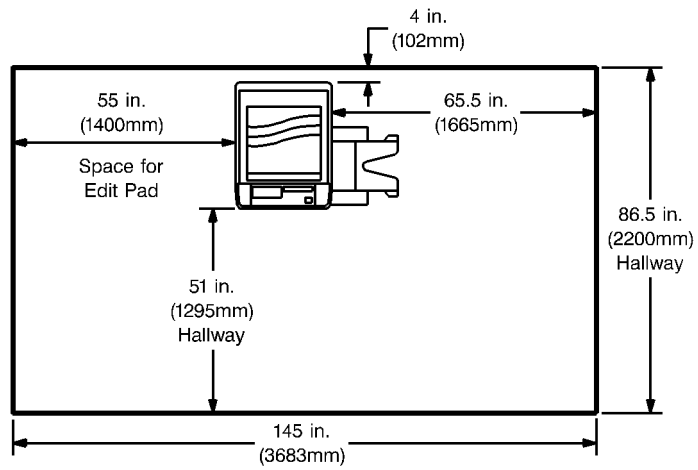
T800050A-LYN

**DocuColor 12 with Platen Cover, Sorter/Mailbox,  
and Edit Pad  
Movable Installation (Room)**



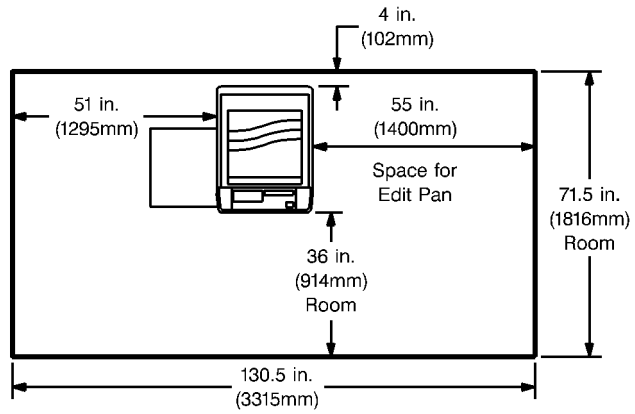
T800051A-LYN

**DocuColor 12 with Platen Cover, Sorter/Mailbox,  
and Edit Pad  
Movable Installation (Hallway)**



T800052A-LYN

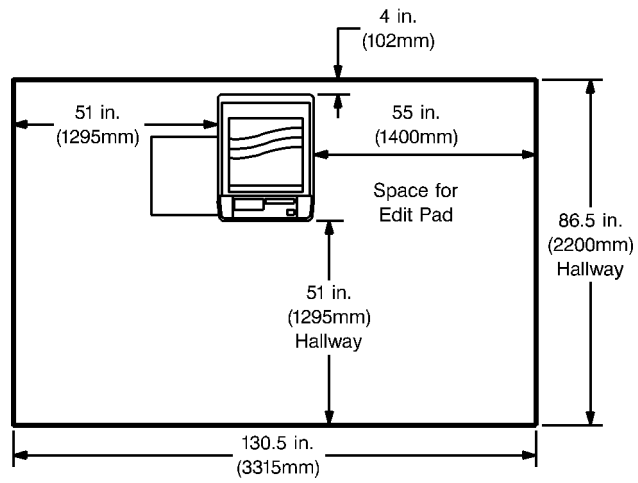
**DocuColor 12 with Platen Cover,  
High Capacity Feeder, and Edit Pad  
Movable Installation (Room)**



T800053A-LYN

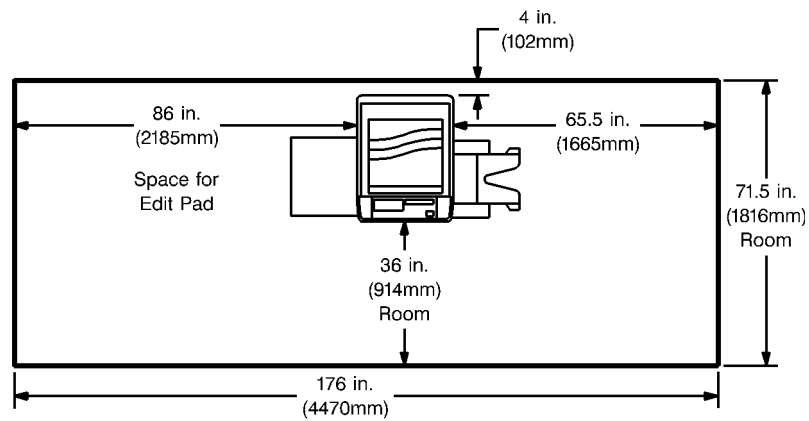


**DocuColor 12 with Platen Cover,  
High Capacity Feeder, and Edit Pad  
Movable Installation (Hallway)**



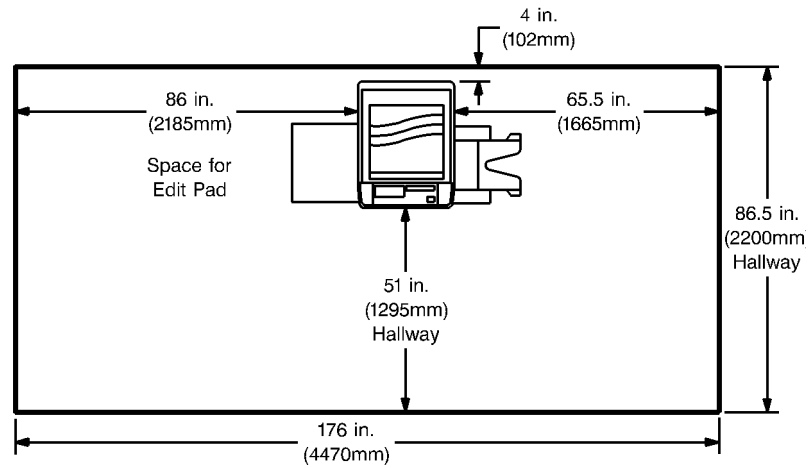
T800054A-LYN

**DocuColor 12 with Platen Cover,  
High Capacity Feeder, Sorter/Mailbox, and Edit Pad  
Movable Installation (Room)**



T800055A-LYN

**DocuColor 12 with Platen Cover,  
High Capacity Feeder, Sorter/Mailbox, and Edit Pad  
Movable Installation (Hallway)**



T800056A-LYN

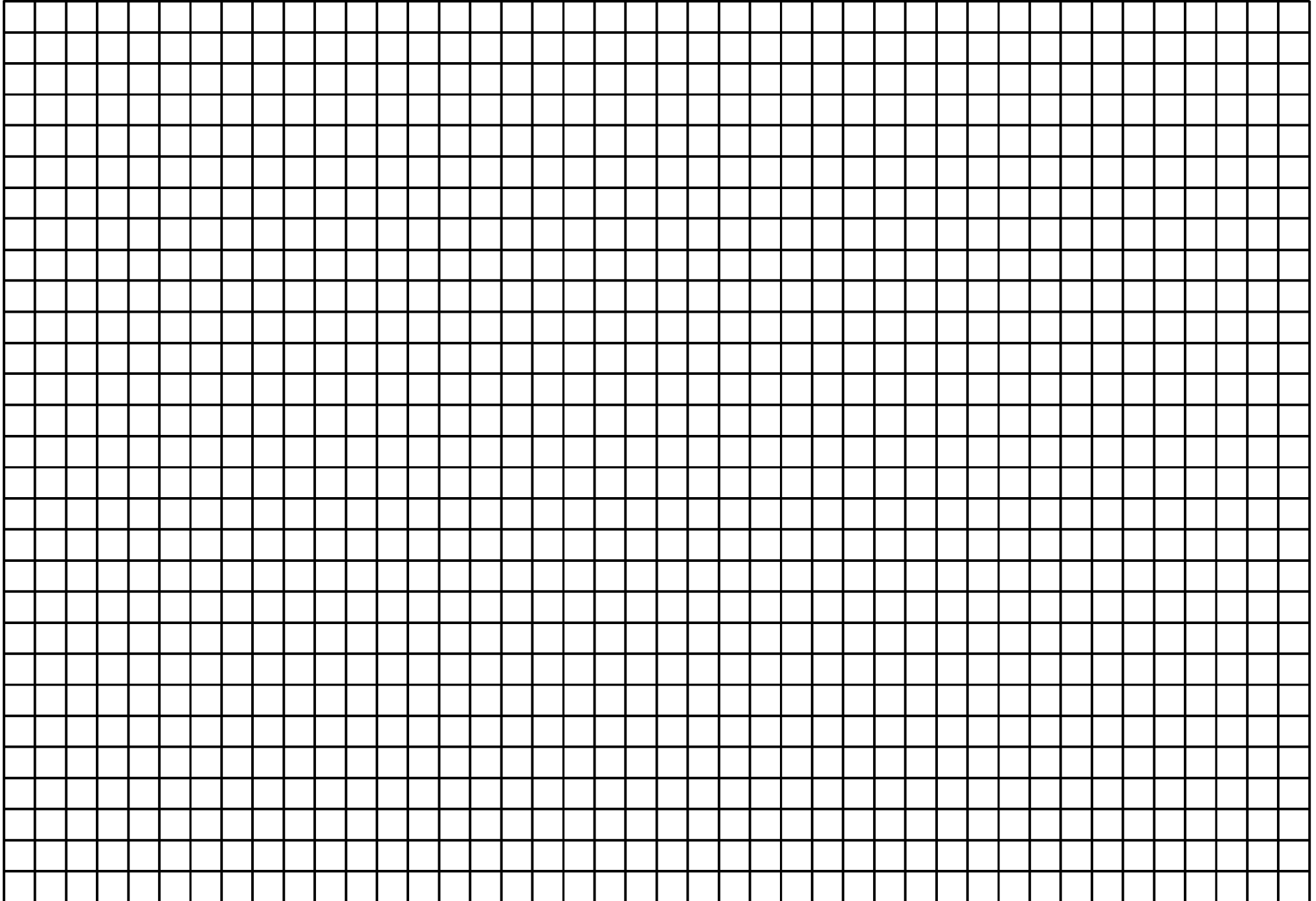


# GRID SHEET

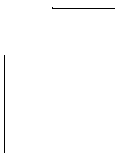
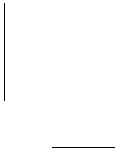
1/4 INCH REPRESENTS 1 FOOT

(6.4mm REPRESENTS 305mm)

1 2 3 4 5 6 7 8 9 10 11 12 13 14 15 16 17 18 19 20 21 22 23 24 25 26 27 28 29 30 31 32 33 34 35 36 37 38 39 40 41 42







Prepared by:  
Xerox Corporation  
Global Knowledge and Language Services  
800 Phillips Road  
Webster, New York 14580  
April 2001

**701P36562**