

26

Technical data

Printer specifications

TypeColor Page Printer

Print Method ...Semiconductor Laser Xerography

Speed.....

Sheet Type	Size	B&W	Color
Plain paper	A4, 8.5 x 11 B4, 8.5 x 14	26 ppm	6 ppm
Plain paper	A3, 11 x 17	13.8 ppm	3.0 ppm
Transparency or thick paper	A4, 8.5 x 11 B4, 8.5 x 14	4.8 ppm	1.8 ppm

ppm = prints per minute

Warm-up.....Less than 300 seconds from power on, at 20° Celsius and 60% humidity

Resolution600 dots per inch (dpi), or 600 dots per 15.4 mm

Paper feed.....Automatic/Manual

Paper Trays....

Feed Tray	Sheet Size	Quantity
Universal Document Tray	Envelope, A5, B5, A4, B4, A3, Letter, Legal, 11 x 17 inches, 12 x 18 inches, Custom sizes: width = 90 to 330,2 mm, length = 139.7 to 457.2 mm	150 sheets
Paper Tray 1	B4, B5, A3, A4. Letter, Legal, 11 x 17 inches, 12 x 18 inches	250 sheets
Tray Module: Paper Tray 2 Paper Tray 3	B4, B5, A3, A4. Letter, Legal, 11 x 17 inches, 12 x 18 inches	500 sheets per tray

Output Trays...	Output Tray	Sheet Size	Quantity
	Top Output Tray	Size: B5 or larger Density: 10 gsm	250 sheets
	Side Output Tray	All sizes	150 sheets

Scanner Document Feeder

Up to 30 documents of 75 gsm, or 20 pound bond. Handles paper weights from 28 to 128 gsm

LanguagePCL5 – US English; Adobe PostScript™ 3 – US English

MemoryRAM: 64 Mbyte SDRAM DIMM
Program ROM: 16Mbyte
Font ROM: 16 Mbyte

InterfaceIEEE 1284 Standard Bi-directional Centronics interface EtherNet network connection 10BASE-5, 10BASE-t, 100BASE-TX.

Host.....IBM PC-AT with 486SX processor or greater; or equivalent DOS/V equipment, November 1993 PC-series or later version Macintosh, installed EtherTalk Phase 2

Host OSWindow 95/98, Windows NT 4.0, System 7.5 or later version Mac OS 8.0 – 8.1

Basic fonts.....Roman fonts: 136 PS, 46 PCL English
Roman Screen fonts: 136 PS for WIN/MAC

Noise level.....Power Saver: Max 52 35.0 dB (A)
Printing: Max 35.0 dB (A)

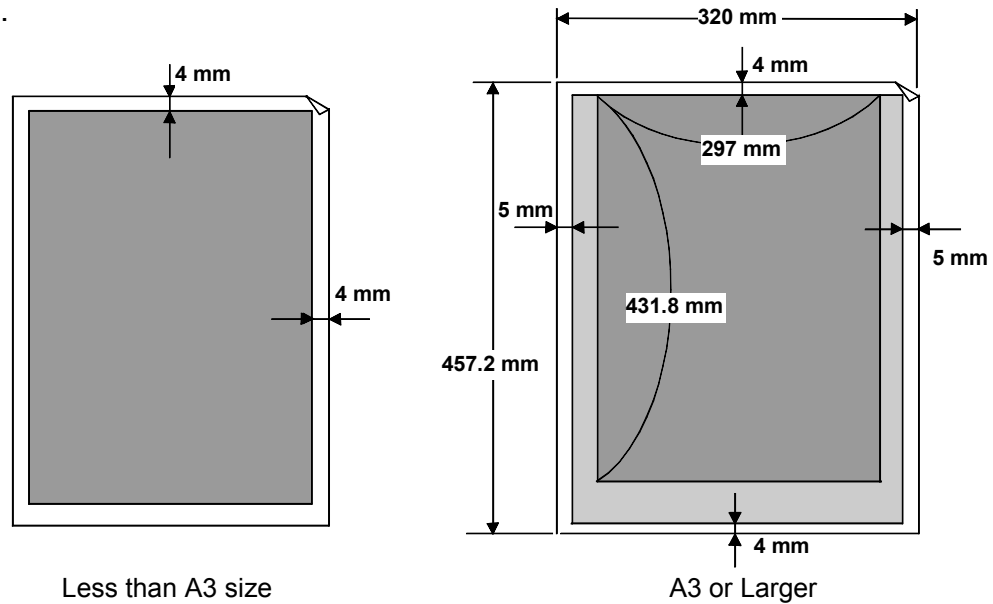
Environment ...Temperature 5 to 32° Celsius

ConditionHumidity: 15 to 18% without condensation

Size:Printer: 645 mm wide x 750 mm deep x 1160 mm high
*with the Document Input Tray and the Side Output Tray retracted
Scanner: 587 mm wide x 699 mm deep x 110 mm high

WeightPrinter: 153 pounds, 69.5 kilograms
Scanner: 77 pounds, 35 kilograms
Scanner Stand: 77 pounds, 35 kilograms
Document Feeder: 24 pounds, 11 kilograms

Print area.....



- Dark gray area = Printable area
- Light gray area = Non-assured print area
- White area = Non-printable area

Electrical specifications

The DocuColor 2006 operates under the following conditions:

- Single phase
- 100V Input voltage = 100-120V \pm 10 %
- 220V Input voltage = 220-240 \pm 10%
- Frequency = 50 Hz \pm 0.5 Hz, 60 Hz \pm 0.5 Hz
- Power Saver Mode = 35 Watts consumption
- Copy Mode = 1400 Watts consumption

Emissions

Ozone = In accordance with the BAM (RAL-UZ 85) standard, the DocuColor does not emit more than 0.01 ppm (parts per million).

Dust = In accordance with the BAM (RAL-UZ 85) standard, the DocuColor does not emit more than 0.150 mg/m³ concentration of dust.

BTUs = 4781 per hour

Interface specifications

Interface = SCSI-2 Single-end, TWAIN compliant

Supported Hosts = IBM PC/AT compatibles and Macintosh

Supported Operating Systems = Windows 95/98, Windows NT 4.0, Windows NT 4.0 with Service Pack5.0, Window 200, Mac OS 7.5 or later, and Unix

Reorder numbers

Number	Description	Number	Description
006R90307	1Black Dry Ink Cartridge	006R90310	1 Yellow Dry Ink Cartridge
006R90308	1 Cyan Dry Ink Cartridge	013R90140	1 Print/Copy Cartridge
006R90309	1 Magenta Dry Ink Cartridge	008R12571	1 Dry Ink Waste Container

Fiery Server hardware components

Component	Type	Configuration
Processor	Single R5000 MIPs	266 MHz
Cache	L2	N/A
Hard Drive	EIDE	3.2 GB (TBD)
CD-ROM		N/A
#DIMM slots	2	64 standard, 256MB max
SDRAM MHz	60 nanosecond in 168 pin DIMMs	Individual 64-128 MB
Flash memory	Flash	1MB
ASICs	3	IX, DX3, VX+
BUS	1xPCI	64-bit @ 33 MHz (complies with PCL spec Rev. 2.1)
Internal slots	Scanner	For IEEE1394 card
	32-bit PCI	Token Ring (option)
	64-bit PCI	N/A
External Ports	Video connector	For copier/printer engine
	SCSI-II	N/A
	Serial	RS422 for EPSV (TBD)
	RJ-45	Ethernet 10/100 BaseT
	AUI	N/A
	Parallel (in)	IEEE 1284 Type B
	Parallel (out)	N/A

Font list

This section contains a list of all the fonts that are installed in the DocuColor 2006 in manufacturing.

PostScript printer fonts

Listed in this section are the 136 PostScript printer fonts installed in the DocuColor 2006. In addition to these fonts, two Adobe Multiple Master fonts are included and are used for font substitution in PDF files.

For Mac OS computers, install the corresponding screen fonts from the User Software CD. For instructions, go to the [Downloading files and fonts](#) chapter.

Adobe Type 1 Fonts

The DocuColor 2006 includes 126 Adobe Type 1 fonts:

The Mac OS column lists the name as it appears on the Font menu on a Mac OS computer. For example, in most applications, to use Bodoni-Bold select Bodoni Bold from the Font menu.

The Windows menu name is the name as it appears on the Font menu on a Windows computer. The style refers to the style that must be selected in the application to access the particular PostScript font. For example, in order to use Bodoni-Bold select Bodoni from the Font menu and Bold from the Style menu.

PostScript name	Mac OS menu name	Windows menu name, style
AlbertusMT-Light	Albertus MT Lt	Albertus MT Lt
AlbertusMT	Albertus MT	Albertus MT
AlbertusMT-Italic	Albertus MT It	Albertus MT, Italic
AntiqueOlive-Roman	Antique Olive Roman	Antique Olive Roman
AntiqueOlive-Bold	Antique Olive Bold	Antique Olive Roman, Bold
AntiqueOlive-Italic	Antique Olive Italic	Antique Olive Roman, Italic
AntiqueOlive-Compact	Antique Olive Compact	Antique Olive Compact
Arial-BoldItalicMT	Arial Bold Italic	Arial, Bold Italic
Arial-BoldMT	Arial Bold	Arial, Bold
Arial-ItalicMT	Arial Italic	Arial, Italic

PostScript name	Mac OS menu name	Windows menu name, style
ArialMT	Arial	Arial
AvantGarde-Book	Avant Garde	AvantGarde
AvantGarde-Demi	Avant Garde Demi	AvantGarde, Bold
AvantGarde-BookOblique	Avant Garde BookOblique	AvantGarde, Italic
AvantGarde-DemiOblique	Avant Garde DemiOblique	AvantGarde, Bold Italic
Bodoni	Bodoni	Bodoni
Bodoni-Bold	Bodoni Bold	Bodoni, Bold
Bodoni-Italic	Bodoni Italic	Bodoni, Italic
Bodoni-BoldItalic	Bodoni BoldItalic	Bodoni, Bold Italic
Bodoni-Poster	Bodoni Poster	Bodoni Poster
Bodoni-PosterCompressed	Bodoni PosterCompressed	Bodoni PosterCompressed
Bookman-Light	Bookman	Bookman
Bookman-Demi	Bookman Demi	Bookman, Bold
Bookman-LightItalic	Bookman LightItalic	Bookman, Italic
Bookman-DemItalic	Bookman DemItalic	Bookman, Bold Italic
Carta	Carta	Carta
Clarendon-Light	Clarendon Light	Clarendon Light
Clarendon	Clarendon	Clarendon
Clarendon-Bold	Clarendon Bold	Clarendon, Bold
CooperBlack	Cooper Black	Cooper Black
CooperBlack-Italic	Cooper Black Italic	Cooper Black, Italic
Copperplate-ThirtyThreeBC	Copperplate33bc	Copperplate33bc
Copperplate-ThirtyTwoBC	Copperplate32bc	Copperplate32bc
Coronet-Regular	Coronet	Coronet
Courier	Courier	Courier

PostScript name	Mac OS menu name	Windows menu name, style
Courier-Bold	Courier Bold	Courier, Bold
Courier-Oblique	Courier Oblique	Courier, Italic
Courier-BoldOblique	Courier BoldOblique	Courier, Bold Italic
Eurostile	Eurostile	Eurostile
Eurostile-Bold	Eurostile Bold	Eurostile Bold
Eurostile-ExtendedTwo	Eurostile ExtendedTwo	Eurostile ExtendedTwo
Eurostile-BoldExtendedTwo	Eurostile BoldExtendedTwo	Eurostile ExtendedTwo, Bold
GillSans	GillSans	GillSans
GillSans-Bold	GillSans Bold	GillSans, Bold
GillSans-Italic	GillSans Italic	GillSans, Italic
GillSans-BoldItalic	GillSans BoldItalic	GillSans, Bold Italic
GillSans-Light	GillSans Light	GillSans Light
GillSans-LightItalic	GillSans LightItalic	GillSans Light, Italic
GillSans-Condensed	GillSans Condensed	GillSans Condensed
GillSans-BoldCondensed	GillSans BoldCondensed	GillSans Condensed, Bold
GillSans-ExtraBold	GillSans ExtraBold	GillSans ExtraBold
Goudy	Goudy	Goudy
Goudy-Bold	Goudy Bold	Goudy, Bold
Goudy-Italic	Goudy Italic	Goudy, Italic
Goudy-BoldItalic	Goudy BoldItalic	Goudy Bold Italic
Goudy-ExtraBold	Goudy ExtraBold	Goudy, ExtraBold
Helvetica	Helvetica	Helvetica
Helvetica-Bold	Helvetica Bold	Helvetica, Bold
Helvetica-Oblique	Helvetica Oblique	Helvetica, Italic
Helvetica-BoldOblique	Helvetica BoldOblique	Helvetica, Bold Italic
Helvetica-Narrow	Helvetica Narrow	Helvetica-Narrow
Helvetica-Narrow-Bold	Helvetica Narrow Bold	Helvetica Narrow, Bold

PostScript name	Mac OS menu name	Windows menu name, style
Helvetica-Narrow-Oblique	Helvetica Narrow Oblique	Helvetica-Narrow, Italic
Helvetica-Narrow-BoldOblique	Helvetica Narrow BoldObl	Helvetica-Narrow, Bold Italic
Helvetica-Condensed	Helvetica Condensed	Helvetica Condensed
Helvetica-Condensed-Bold	Helvetica-CondensedBold	Helvetica Condensed, Bold
Helvetica-Condensed-Oblique	Helvetica-CondensedOblique	Helvetica Condensed, Italic
Helvetica-Condensed-BoldObl	Helvetica-CondensedBoldObl	Helvetica Condensed, Bold Italic
HoeflerText-Ornaments	Hoefler Text Ornaments	Hoefler Text Ornaments
JoannaMT	Joanna MT	Joanna MT
JoannaMT-Bold	Joanna MT Bd	Joanna MT, Bold
JoannaMT-Italic	Joanna MT It	Joanna MT, Italic
JoannaMT-BoldItalic	Joanna MT Bd It	Joanna MT, Bold Italic
LetterGothic	Letter Gothic	Letter Gothic
LetterGothic-Bold	Letter Gothic Bold	Letter Gothic, Bold
LetterGothic-Slanted	Letter Gothic Slanted	Letter Gothic, Italic
LetterGothic-BoldSlanted	Letter Gothic BoldSlanted	Letter Gothic, Bold Italic
LubalinGraph-Book	Lubalin Graph	LubalinGraph
LubalinGraph-Demi	Lubalin Graph Demi	LubalinGraph, Bold
LubalinGraph-BookOblique	Lubalin Graph BookOblique	Lubalin Graph, Italic
LubalinGraph-DemiOblique	Lubalin Graph DemiOblique	Lubalin Graph, Bold Italic
Marigold	Marigold	Marigold
MonaLisa-Recut	Mona Lisa Recut	Mona Lisa Recut
NewCenturySchlbk-Roman	New Century Schlbk	NewCenturySchlbk
NewCenturySchlbk-Bold	New Century Schlbk Bd	NewCenturySchlbk, Bold

PostScript name	Mac OS menu name	Windows menu name, style
NewCenturySchlbk-Italic	New Century Schlbk Italic	NewCenturySchlbk, Italic
NewCenturySchlbk-BoldItalic	New Century Schlbk BoldIt	NewCenturySchlbk, Bold Italic
Optima	Optima	Optima
Optima-Bold	Optima Bold	Optima, Bold
Optima-Italic	Optima Italic	Optima, Italic
Optima-BoldItalic	Optima BoldItalic	Optima, Bold Italic
Oxford	Oxford	Oxford
Palatino-Roman	Palatino	Palatino
Palatino-Bold	Palatino Bold	Palatino, Bold
Palatino-Italic	Palatino Italic	Palatino, Italic
Palatino-BoldItalic	Palatino BoldItalic	Palatino, Bold Italic
StempelGaramond-Roman	StempelGaramond Roman	StempelGaramond Roman
StempelGaramond-Bold	StempelGaramond Bold	StempelGaramond Roman, Bold
StempelGaramond-Italic	StempelGaramond Italic	StempelGaramond Roman, Italic
StempelGaramond-BoldItalic	StempelGaramond BoldItalic	StempelGaramond Roman, Bold Italic
Symbol	Symbol	Symbol
Tekton	Tekton	Tekton
Times-Roman	Times	Times
Times-Bold	Times Bold	Times, Bold
Times-Italic	Times Italic	Times, Italic
Times-BoldItalic	Times BoldItalic	Times, Bold Italic
TimesNewRomanPS-BoldMT	Times New Roman Bold	Times New Roman, Bold
TimesNewRomanPS-BoldItalicMT	Times New Roman Bold Italic	Times New Roman, Bold Italic

PostScript name	Mac OS menu name	Windows menu name, style
TimesNewRomanPS-ItalicMT	Times New Roman Italic	Times New Roman, Italic
TimesNewRomanPSMT	Times New Roman	Times New Roman
Univers-Extended	Univers Extended	Univers Extended
Univers-BoldExt	Univers BoldExt	Univers Extended, Bold
Univers-ExtendedObl	Univers ExtendedObl	Univers Extended, Italic
Univers-BoldExtObl	Univers BoldExtObl	Univers Extended, Bold Italic
Univers-Light	Univers 45 Light	Univers 45 Light
Univers-Bold	Univers 65 Bold	Univers 45 Light, Bold
Univers-LightOblique	Univers 45 LightOblique	Univers 45 Light, Italic
Univers-BoldOblique	Univers 65 BoldOblique	Univers 45 Light, Bold Italic
Univers	Univers 55	Univers 55
Univers-Oblique	Univers 55 Oblique	Univers 55, Italic
Univers-CondensedBold	Univers 67 CondensedBold	Univers 47 CondensedLight, Bold
Univers-CondensedBoldOblique	Univers 67 CondensedBoldObl	Univers 47 CondensedLight, Bold Italic
Univers-Condensed	Univers 57 Condensed	Univers 57 Condensed
Univers-CondensedOblique	Univers 57 CondensedOblique	Univers 57 Condensed, Italic
ZapfChancery-MediumItalic	ZapfChancery	ZapfChancery
ZapfDingbats	ZapfDingbats	ZapfDingbats

PostScript TrueType fonts

The DocuColor 2006 includes 10 PostScript TrueType fonts:

PostScript name	Mac OS menu name	Windows menu name, style
Apple-Chancery	Apple Chancery	Apple Chancery
Chicago	Chicago	Chicago
Geneva	Geneva	Geneva
HoeflerText-Black	Hoefler Text Black	Hoefler Text Black
HoeflerText-BlackItalic	Hoefler Text Black	Hoefler Text Black, Italic
HoeflerText-Italic	Hoefler Text	Hoefler Text, Italic
HoeflerText-Regular	Hoefler Text	Hoefler Text
Monaco	Monaco	Monaco
New York	New York	New York
Wingdings-Regular	Wingdings	Wingdings

PCL printer fonts

The DocuColor 2006 includes 46 PCL fonts:

- Albertus Medium, Albertus Extra Bold
- Antique Olive, Antique Olive Bold, Antique Olive Italic
- Arial, Arial Bold, Arial Italic, Arial Bold Italic
- CG Omega, CG Omega Bold, CG Omega Italic, CG Omega Bold Italic
- CG Times, CG Times Bold, CG Times Italic, CG Times Bold Italic
- Clarendon Condensed
- Coronet
- Courier, Courier Bold, Courier Italic, Courier Bold Italic
- Garamond Antiqua, Garamond Halbfett, Garamond Kursiv, Garamond Kursiv Halbfett
- Letter Gothic, Letter Gothic Bold, Letter Gothic Italic
- Line Printer
- Marigold
- Symbol
- Times New Roman, Times New Roman Bold, Times New Roman Italic, Times New Roman Bold Italic
- Univers Medium, Univers Bold, Univers Medium Italic, Univers Bold Italic, Univers Medium Condensed, Univers Bold Condensed, Univers Medium Condensed Italic, Univers Bold Condensed Italic
- Wingdings

Sorter/Stacker specifications

Dimensions

Width 17.2 inches (437mm)

Height 28 inches (710 mm)

Depth 19.1 inches (484 mm)

An additional 14 inches (356 mm) must be allowed to the left of the Sorter/Stacker to enable jam clearance.

Weight: 37.5 lbs (17 kg)

Power

DC Input Power 24 V

Peak current 1A

Average current 0.5A or less

Environment

Temperature (operating) 10-35° C

Humidity (operating) 15-80 RH

Temperature (non-operating) 0-40° C

Humidity (non-operating) 15-90 RH

Output Bins

Maximum output

- Exit Tray (Bin 1): All Modes, 100 Sheets maximum
- Bins 2-10: Plain Paper Mode Only, 30 Sheets maximum
- High Capacity Bin: All Modes, 500 Sheets maximum

Transparencies

- Exit Tray (Bin 1)
- High Capacity Bin

Standard paper sizes

Exit Tray (Bin 1)	Bins 2-10	High Capacity Bin				
(gsm)	(gsm)	(gsm)	Size	SEF/ LEF	Dimensions (inches)	Dimensions (mm)
64-220	N/A	N/A	A3 Oversize	SEF	12.2 x 17	309.88 x 432
64-220	64-128	64-220	A3	SEF	11.7 x 16.5	297 x 420
64-220	64-128	64-220	Ledger	SEF	11 x 17	279.4 x 431.8
64-220	64-128	64-220	B4	SEF	10.1 x 14.3	257.0 x 364.0
64-220	64-128	64-220	LGL	SEF	8.5 x 14	215.9 x 355.6
64-220	64-128	64-220	A4	LEF	11.7 x 8.3	297 x 210.0
64-220	64-128	64-220	A4-R	SEF	8.3 x 11.7	210 x 297
64-220	64-128	64-220	LTR	LEF	11 x 8.5	279.4 x 215.9
64-220	64-128	64-220	LTR-R	SEF	8.5 x 11	215.9 x 279.4
64-98	64-98	64-98	B5	LEF		257.0 x 182.0
64-80	64-80	64-80	A5	LEF		210.0 x 148.5

Custom sizes

- Width = 3.9 to 11.7 inches (100 to 297 mm)
- Length = 7.5 to 17.7 inches (191 to 450 mm)

