

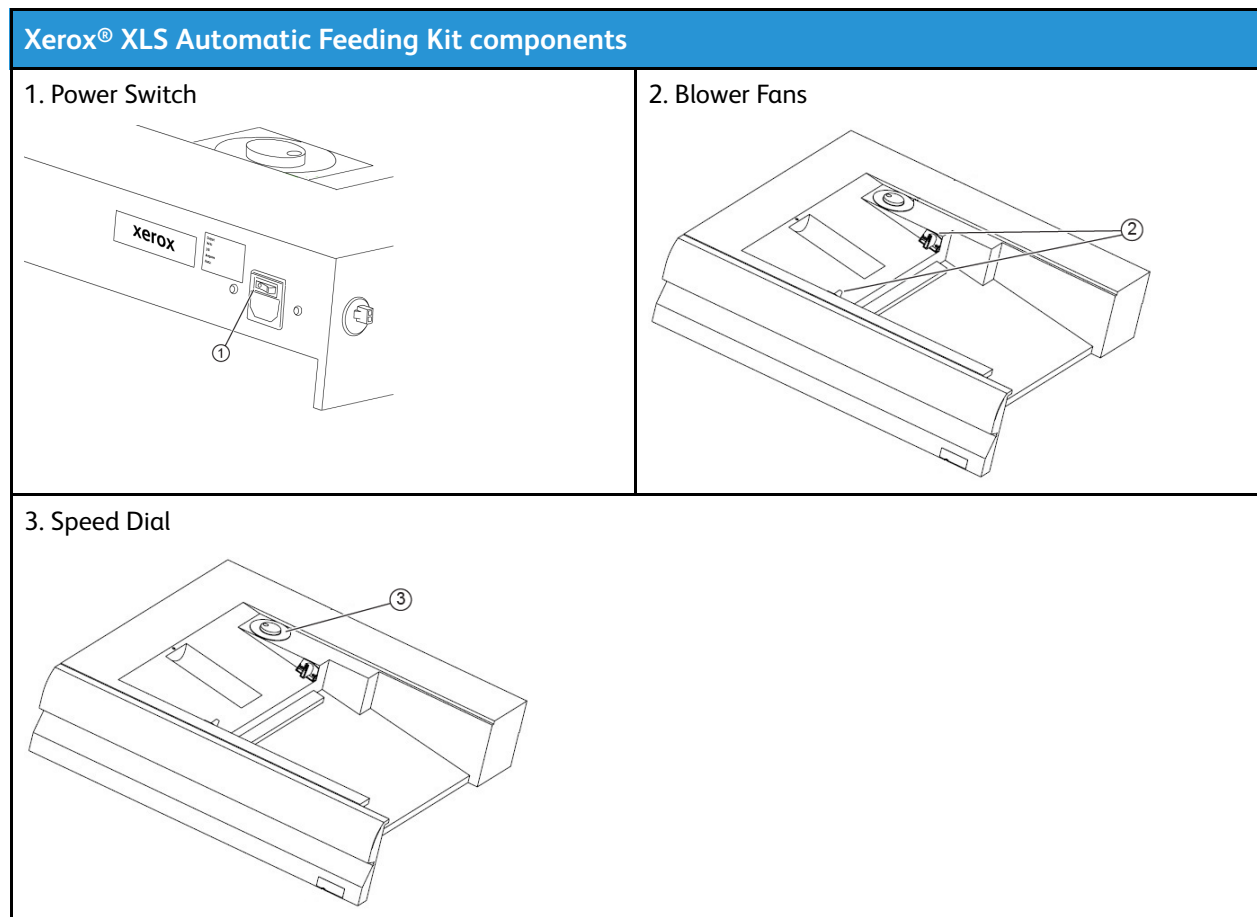
# Xerox<sup>®</sup> XLS Automatic Feeding Kit

## Using the Xerox<sup>®</sup> XLS Automatic Feeding Kit

702P08667




The optional Xerox<sup>®</sup> XLS Automatic Feeding Kit fluffs the media in the Multi-Sheet Inserter using blower fans. The Xerox<sup>®</sup> XLS Automatic Feeding Kit can improve sheet feed accuracy for long media and heavyweight media.

If the power switch for the Xerox<sup>®</sup> XLS Automatic Feeding Kit is in the On position, when you add media to the Multi-Sheet Inserter, the blower fans power on automatically.




1. To power on the Xerox<sup>®</sup> XLS Automatic Feeding Kit, move the power switch to the On position. The power switch is located on the rear side of the Multi-Sheet Inserter tray.
2. Load media into the Multi-Sheet Inserter tray. The blower fans power on automatically.

3. To adjust the blower fan speed, turn the dial to the appropriate speed for the weight of the media.

Blower Fan Speed	Media Weight Supported
	Less than 100 g/m <sup>2</sup>
	100–200 g/m <sup>2</sup>
	More than 200 g/m <sup>2</sup>

 **Note:** When the Xerox® XLS Automatic Feeding Kit is not in use, to ensure that the blower fans power off, remove all material from the Multi-Sheet Inserter tray.

 **Note:** Whenever you power off the press, Xerox recommends that you also power off the Xerox® XLS Automatic Feeding Kit using its power switch.