

VERSION 2.0  
SEPTEMBER 2024  
702P09293

# Xerox<sup>®</sup> VersaLink<sup>®</sup> C620 Color Printer

User Guide

**xerox**<sup>™</sup>

© 2024 Xerox Corporation. All rights reserved.

Xerox®, VersaLink®, Global Print Driver®, MeterAssistant®, Scan to PC Desktop®, Supplies Assistant®, Xerox Extensible Interface Platform®, and Xerox Secure Access Unified ID System® are trademarks of Xerox Corporation in the United States and/or other countries.

Adobe, Adobe PDF logo, Acrobat, and PostScript are either registered trademarks or trademarks of Adobe in the United States and/or other countries.

Android™, Google Play™, and Google Drive™ are trademarks of Google LLC.

Apple, App Store®, AirPrint, Bonjour, iBeacon, iPad, iPhone, iPod, iPod touch, Mac, Macintosh, macOS, and OS X are trademarks of Apple, Inc., registered in the U.S. and other countries and regions.

The Bluetooth® word mark is a registered trademark owned by the Bluetooth SIG, Inc. and any use of such marks by Xerox is under license.

DROPBOX and the Dropbox Logo are trademarks of Dropbox, Inc.

Debian is a registered trademark of Software in the Public Interest, Inc.

ENERGY STAR® and ENERGY STAR mark are registered trademarks owned by the U.S. Environmental Protection Agency.

HP® and PCL® are trademarks of the Hewlett-Packard Company.

IBM®, AIX®, and PowerPC® are trademarks or registered trademarks of International Business Machines Corporation registered in many jurisdictions worldwide.

IOS is a registered trademark or trademark of Cisco Systems, Inc. and/or its affiliates in the United States and certain other countries.

Itanium is a trademark of Intel Corporation or its subsidiaries.

Kerberos is a trademark of the Massachusetts Institute of Technology (MIT).

Linux® is the registered trademark of Linus Torvalds in the U.S. and other countries.

Microsoft Entra ID (formerly know as Azure AD), Excel, Microsoft Exchange Server, Microsoft 365, Office 365, OneDrive, Windows, Windows Server, Windows Vista are trademarks of the Microsoft group of companies.

Mopria is a trademark of Mopria Alliance, Inc.

NetWare and NDS are registered trademarks or service marks of Novell, Inc. in the United States and other countries.

SPARC is a registered trademark of SPARC International, Inc. in the United States and other countries.

Sun and Solaris are registered trademarks of Oracle and/or its affiliates.

ThinPrint is a registered trademark of Cortado AG in the United States and other countries.

Trellix, ePolicy Orchestrator, and ePO are trademarks Musarubra US LLC.

UNIX® is a registered trademark of The Open Group.

Wi-Fi® and Wi-Fi Direct® are registered trademarks of Wi-Fi Alliance®.

BR40457



# Contents

Safety.....	13
Notices and Safety .....	14
Conventions .....	15
Product Statements .....	15
Electrical Safety .....	19
General Guidelines.....	19
Power Cord.....	19
Emergency Power Off.....	20
Battery Safety.....	20
Operational Safety .....	21
Operational Guidelines .....	21
Printer Location .....	21
Printer Supplies .....	22
Consumable Information .....	22
Maintenance Safety .....	23
Environmental, Health and Safety Contact Information.....	24
Product Symbols .....	25
Getting Started.....	29
Parts of the Printer.....	30
Front View.....	30
Internal Parts.....	31
Rear View.....	32
Control Panel.....	32
Additional Configurations and Options .....	35
Paper Tray Options.....	35
Power Options .....	37
Power Saver.....	37
Powering On the Printer or Exiting Sleep Mode.....	37
Restarting, Placing in Sleep Mode, or Powering Off the Printer.....	38
Accessing the Printer.....	39
Authentication.....	39
Authorization.....	40
Personalization.....	40
Accounting.....	40
Logging In.....	41
Apps, Features, and Functions.....	42
Introduction to Apps.....	42
Adaptive Learning.....	42
Information Pages.....	43
Printing Information Pages.....	43
Configuration Reports.....	44
The Embedded Web Server .....	45

Finding the IP Address of Your Printer .....	45
Accessing the Embedded Web Server .....	46
Logging In Using the Embedded Web Server .....	46
Certificates for the Embedded Web Server.....	47
Downloading the Configuration Report from the Embedded Web Server.....	47
Using the Remote Control Panel Feature .....	47
Downloading the Print Drivers from the Embedded Web Server.....	48
Using Xerox® Workplace Cloud to Manage your Device .....	48
Ordering Supplies From the Embedded Web Server.....	49
Installation and Setup.....	50
Installation and Setup Overview .....	50
Selecting a Location for the Printer.....	50
Updating the Printer System Software.....	50
Removing the Internal Packing Materials .....	51
Connecting the Printer .....	54
Selecting a Connection Method.....	54
Connecting to a Computer Using a USB Cable.....	54
Connecting to a Wired Network.....	55
Wireless Network Adapter with Bluetooth.....	55
Connecting with Wi-Fi Direct.....	56
Connecting with Near Field Communication (NFC) .....	57
Configuring AirPrint.....	59
Configuring a Device for Universal Print .....	59
Initial Printer Setup.....	61
Security Template .....	61
Configuration Watchdog.....	61
Fleet Orchestrator .....	61
Xerox® Easy Assist Application.....	62
Installing the Print Driver Software .....	63
Operating System Requirements.....	63
Installing the Print Drivers for a Windows Network Printer.....	63
Installing the Windows Print Driver .zip File.....	64
Installing the Print Drivers for a Windows USB Printer .....	64
Installing the Printer as a Web Service on Devices.....	65
Installing the Drivers and Utilities for Macintosh OS (MacOS) .....	65
Installing Print Drivers and Utilities for UNIX and Linux Printing.....	67
More Information.....	68
Locating the Serial Number .....	68
Accessibility .....	69
Invert Display Color .....	70
Zoom.....	71
Using the Keyboard .....	72
Navigating the Screen Using the Keyboard.....	72
Speech Output (Test Drive) .....	73
Personalize.....	75

Personalize Overview .....	76
Personalization by the User .....	77
Personalizing the Home Screen .....	77
Personalizing Entry Screen Defaults .....	78
Removing App Personalization Using the Control Panel .....	79
Personalizing the Language .....	79
Personalization from Adaptive Learning .....	80
Personalized Language Suggestions .....	80
Managing your Personalization Suggestions .....	80
Removing All Personalizations .....	81
Xerox® Apps .....	83
Xerox® App Gallery .....	84
Xerox® App Gallery Overview .....	84
Creating a Xerox® App Gallery Account .....	84
Logging in to your Xerox® App Gallery Account .....	85
Installing or Updating an App from the Xerox® App Gallery .....	85
Device .....	87
Device Overview .....	87
About .....	88
Information Pages .....	88
Supply Status .....	89
Billing and Usage Counters .....	90
Remote Services .....	90
Xerox® Easy Assist (XEA) App .....	91
Jobs .....	98
Jobs Overview .....	98
Job Options .....	98
Managing Jobs .....	98
Managing Special Job Types .....	100
Managing Jobs using the Embedded Web Server .....	103
Print From .....	105
Print From Overview .....	105
Printing From a USB Flash Drive .....	105
Printing from Saved Jobs .....	106
@PrintByXerox .....	108
@PrintByXerox Overview .....	108
Printing with the @PrintByXerox App .....	108
Xerox® Connect for XMPie .....	109
Xerox® Connect for XMPie App Overview .....	109
Printing .....	111
Printing Overview .....	112
Selecting Printing Options .....	113
Print Driver Help .....	113
Windows Printing Options .....	113

Macintosh Printing Options .....	115
UNIX, Linux, and AS/400 Printing .....	116
Mobile Printing Options .....	119
Print Jobs .....	122
Managing Jobs .....	122
Printing Special Job Types .....	123
Printing Features .....	127
Selecting Paper Options for Printing .....	127
Printing on Both Sides of the Paper .....	128
Xerox Black and White .....	128
Print Quality .....	129
Image Options .....	129
Printing Multiple Pages to a Single Sheet .....	130
Printing Booklet Layout .....	130
Using Special Pages .....	131
Printing Annotations for Windows .....	133
Printing Watermarks for Windows .....	134
Orientation .....	135
Advanced Printing Options .....	135
Using Custom Paper Sizes .....	138
Defining Custom Paper Sizes .....	138
Printing on Custom-Size Paper .....	139
Print From .....	141
Printing From a USB Flash Drive .....	141
Printing from Saved Jobs .....	142
Printing from the Embedded Web Server .....	142
Paper and Media .....	145
Paper and Media Overview .....	146
Supported Paper .....	147
Recommended Media .....	147
Ordering Paper .....	147
General Paper Loading Guidelines .....	147
Paper That Can Damage Your Printer .....	147
Paper Storage Guidelines .....	148
Paper Characteristics .....	148
Supported Paper Types and Weights .....	149
Supported Standard and Custom Paper Sizes .....	150
Configuring Paper Tray Settings .....	153
Configuring Dedicated Paper Trays .....	153
Paper Size Confirmation .....	153
Changing Paper Size, Type, and Color .....	153
Loading Paper .....	155
Loading Paper in Trays 1–5 .....	155
Adjusting the Paper Guides in the 550-Sheet Adjustable Trays .....	158
Loading Paper in the Bypass Tray .....	159
Printing on Special Paper .....	162



Envelopes.....	162
Labels.....	166
Glossy Media .....	169
Maintenance.....	171
General Precautions.....	172
Cleaning the Printer .....	173
Cleaning the Printer Exterior .....	173
Supplies.....	174
Consumables .....	174
Routine Maintenance Items .....	174
Ordering Supplies .....	174
Toner Cartridges.....	175
Waste Toner Container .....	177
Imaging Kit .....	178
Paper Tray Feed Roller Assembly.....	182
Fuser Maintenance Kit.....	187
Recycling Supplies.....	191
Resetting Supply Life Counters .....	191
Managing the Printer .....	193
Viewing the Meter Reading .....	193
Printing the Billing Summary Report.....	193
Moving the Printer.....	194
Troubleshooting.....	195
General Troubleshooting.....	196
Restarting the Printer.....	196
Printer Does Not Power On .....	196
Printer Resets or Powers Off Frequently .....	197
Printer Does Not Print.....	197
Printing Takes Too Long .....	198
Document Fails to Print.....	200
Document Prints from Wrong Tray.....	201
Empty or Partially Printed Document.....	201
Printer is Making Unusual Noises .....	201
Automatic 2-Sided Printing Problems.....	202
Date and Time Are Incorrect .....	202
Wireless Network Adapter Problems .....	203
Paper Jams .....	204
Locating Paper Jams .....	204
Minimizing Paper Jams .....	204
Clearing Paper Jams.....	205
Troubleshooting Paper Jams.....	212
Print Problems.....	215
Identifying Print Problems .....	215
Print-Quality Problems .....	215

Getting Help.....	223
Viewing Error and Alert Messages on the Control Panel.....	223
Viewing the Error History on the Control Panel.....	223
Support Logs.....	223
The Embedded Web Server.....	224
Online Support Assistant.....	224
Information Pages.....	224
More Information.....	225
Specifications.....	227
Printer Configurations and Options.....	228
Standard Features.....	228
Options and Upgrades.....	229
Finishing Options.....	229
Physical Specifications.....	230
Base Configuration.....	230
Base Configuration with 4-Optional Tray Modules.....	230
Base Configuration with Printer Stand.....	231
Configuration with Optional Trays and Printer Stand.....	231
Clearance Requirements.....	232
Base Configuration.....	232
Base Configuration with 4-Optional Tray Modules.....	233
Configuration with Optional Trays and Printer Stand.....	234
Environmental Specifications.....	235
Temperature.....	235
Relative Humidity.....	235
Elevation.....	235
Electrical Specifications.....	236
.....	236
Performance Specifications.....	237
Printing Resolution.....	237
Print Speed.....	237
Environmental, Health and Safety Contact Information.....	238
Regulatory Information.....	239
Basic Regulations.....	240
United States FCC Regulations.....	240
Regulatory Information for 2.4-GHz and 5-GHz Wireless Network Adapters.....	240
Laser Notice.....	241
Canada.....	241
European Union and European Economic Area Compliance.....	242
ENERGY STAR.....	243
Eurasian Economic Community Certification.....	245
Germany.....	245
Turkey RoHS Regulation.....	246
Ukraine RoHS Compliance.....	246

Safety Certification ..... 247

Material Safety Data Sheets ..... 248

Recycling and Disposal ..... 249

    All Countries ..... 250

        Battery Removal ..... 250

    North America ..... 251

    European Union ..... 252

        Disposal Outside of the European Union ..... 252

    Other Countries ..... 253

Apps Features ..... 255

    Apps Features ..... 256



# Safety

This chapter contains:

Notices and Safety .....	14
Conventions .....	15
Electrical Safety .....	19
Operational Safety .....	21
Maintenance Safety .....	23
Environmental, Health and Safety Contact Information .....	24
Product Symbols .....	25

Your printer and the recommended supplies have been designed and tested to meet strict safety requirements. Attention to the following information ensures the continued safe operation of your Xerox printer.

## Notices and Safety

Read the following instructions carefully before operating your printer. Refer to these instructions to ensure the continued safe operation of your printer.

Your Xerox® printer and supplies are designed and tested to meet strict safety requirements. These include safety agency evaluation and certification, and compliance with electromagnetic regulations and established environmental standards.

The safety and environment testing and performance of this product have been verified using Xerox® materials only.



Note: Unauthorized alterations, which can include the addition of new functions or connection of external devices, can affect the product certification. For more information, contact your Xerox representative.

## Conventions

 Note: A note identifies information that could help you.

**Warning:** A warning identifies something that could damage the product hardware or software.

 **Caution:** A caution indicates a potentially hazardous situation that could injure you.

Different types of statements include:

 **CAUTION—POTENTIAL INJURY:** Indicates a risk of injury.

 **CAUTION—SHOCK HAZARD:** Indicates a risk of electrical shock.


 **CAUTION—HOT SURFACE:** Indicates a risk of burn if touched.


 **CAUTION—TIPPING HAZARD:** Indicates a crush hazard.


 **CAUTION—PINCH HAZARD:** Indicates a risk of being caught between moving parts.


 **CAUTION—MOVING PARTS:** Indicates a risk of laceration or abrasion injuries from rotating parts.


## PRODUCT STATEMENTS

 **CAUTION—POTENTIAL INJURY:** To avoid the risk of fire or electrical shock, connect the power cord to an appropriately rated and properly grounded electrical outlet that is near the product and easily accessible.

 **CAUTION—POTENTIAL INJURY:** To avoid the risk of fire or electrical shock, use only the power cord provided with this product or the authorized replacement from the manufacturer.

 **CAUTION—POTENTIAL INJURY:** Do not use this product with extension cords, multioutlet power strips, multioutlet extenders, or UPS devices. The power capacity of these types of accessories can be easily overloaded by a laser printer and may result in a risk of fire, property damage, or poor printer performance.

 **CAUTION—POTENTIAL INJURY:** Do not use this product with an inline surge protector. The use of a surge protection device may result in a risk of fire, property damage, or poor printer performance.

 **CAUTION—SHOCK HAZARD:** To avoid the risk of electrical shock, do not place or use this product near water or wet locations.



**CAUTION—SHOCK HAZARD:** To avoid the risk of electrical shock, do not set up this product or make any electrical or cabling connections, such as the power cord, fax feature, or telephone, during a lightning storm.



**CAUTION—POTENTIAL INJURY:** Do not cut, twist, bind, crush, or place heavy objects on the power cord. Do not subject the power cord to abrasion or stress. Do not pinch the power cord between objects such as furniture and walls. If any of these things happen, a risk of fire or electrical shock results. Inspect the power cord regularly for signs of such problems. Remove the power cord from the electrical outlet before inspecting it.



**CAUTION—SHOCK HAZARD:** To avoid the risk of electrical shock, ensure that all external connections, such as Ethernet and telephone system connections, are properly installed in their marked plug-in ports.



**CAUTION—SHOCK HAZARD:** To avoid the risk of electrical shock, if you are accessing the controller board or installing optional hardware or memory devices sometime after setting up the printer, then turn the printer off, and unplug the power cord from the electrical outlet before continuing. If you have any other devices attached to the printer, then turn them off as well, and unplug any cables going into the printer.



**CAUTION—SHOCK HAZARD:** To avoid the risk of electrical shock when cleaning the exterior of the printer, unplug the power cord from the electrical outlet and disconnect all cables from the printer before proceeding.



**CAUTION—POTENTIAL INJURY:** If the printer weight is greater than 20 kg (44 lb), then it may require two or more people to lift it safely.





**CAUTION—POTENTIAL INJURY:** When moving the printer, follow these guidelines to avoid personal injury or printer damage:

- Ensure that all doors and trays are closed.
- Turn off the printer, then unplug the power cord from the electrical outlet.
- Disconnect all cords and cables from the printer.
- If the printer has separate floor-standing optional trays or output options attached to it, then disconnect them before moving the printer.
- If the printer has a caster base, then carefully roll it to the new location. Use caution when passing over thresholds and breaks in flooring.
- If the printer does not have a caster base but is configured with optional trays or output options, then remove the output options and lift the printer off the trays. Do not try to lift the printer and any options at the same time.
- Always use the handholds on the printer to lift it.
- Any cart used to move the printer must have a surface able to support the full footprint of the printer.
- Any cart used to move the hardware options must have a surface able to support the dimensions of the options.
- Keep the printer in an upright position.
- Avoid severe jarring movements.
- Ensure that your fingers are not under the printer when you set it down.
- Ensure that there is adequate clearance around the printer.



**CAUTION—TIPPING HAZARD:** Installing one or more options on your printer or MFP may require a caster base, furniture, or other feature to prevent instability causing possible injury. For more information on supported configurations, contact the place where you purchased the printer.



**CAUTION—TIPPING HAZARD:** To reduce the risk of equipment instability, load each tray separately. Keep all other trays closed until needed.



**CAUTION—HOT SURFACE:** The inside of the printer might be hot. To reduce the risk of injury from a hot component, allow the surface to cool before touching it.



**CAUTION—PINCH HAZARD:** To avoid the risk of a pinch injury, use caution in areas marked with this label. Pinch injuries may occur around moving parts, such as gears, doors, trays, and covers.



**CAUTION—POTENTIAL INJURY:** This product uses a laser. Use of controls or adjustments or performance of procedures other than those specified in the User Guide can result in hazardous radiation exposure.



**CAUTION—POTENTIAL INJURY:** The lithium battery in this product is not intended to be replaced. There is a danger of explosion if a lithium battery is incorrectly replaced. Do not recharge, disassemble, or incinerate a lithium battery. Discard used lithium batteries according to the manufacturer instructions and local regulations.

This product is designed, tested, and approved to meet strict global safety standards with the use of specific manufacturer components. The safety features of some parts may not always be obvious. The manufacturer is not responsible for the use of other replacement parts.

Refer service or repairs, other than those described in the user documentation, to a service representative.

### **Ozone and Ventilation Information**

Refer to *Facts about ozone* and *Facts about ventilation* at [Health and Safety of Our Work Environment - Xerox](#).

**SAVE THESE INSTRUCTIONS.**

## Electrical Safety

### GENERAL GUIDELINES



#### Caution:

- Do not push objects into slots or openings on the printer. Touching a voltage point or shorting out a part could result in fire or electric shock.
- Do not remove the covers or guards that are fastened with screws unless you are installing optional equipment and are instructed to do so. Power off the printer when performing these installations. Disconnect the power cord when removing covers and guards for installing optional equipment. Except for user-installable options, there are no parts that you can maintain or service behind these covers.

The following are hazards to your safety:

- The power cord is damaged or frayed.
- Liquid is spilled into the printer.
- The printer is exposed to water.
- The printer emits smoke, or the surface is unusually hot.
- The printer emits unusual noise or odors.
- The printer causes a circuit breaker, fuse, or other safety device to activate.

If any of these conditions occur, do the following:

1. Power off the printer immediately.
2. Disconnect the power cord from the electrical outlet.
3. Call an authorized service representative.

### POWER CORD

Use the power cord supplied with your printer.



**Caution:** To avoid risk of fire or electrical shock, do not use extension cords, power strips, or power plugs.

- Plug the power cord directly into a properly grounded electrical outlet. Ensure that each end of the cord is connected securely. If you do not know if an outlet is grounded, ask an electrician to check the outlet.
- Do not use a ground adapter plug to connect the printer to an electrical outlet that does not have a ground connection terminal.
- Verify that the printer is plugged into an outlet that is providing the correct voltage and power. Review the electrical specification of the printer with an electrician if necessary.
- Do not place the printer in an area where people can step on the power cord.
- Do not place objects on the power cord.
- Do not plug or unplug the power cord while the power switch is in the On position.

## Safety

- If the power cord becomes frayed or worn, replace it.
- To avoid electrical shock and damage to the cord, grasp the plug when unplugging the power cord.

The power cord is attached to the printer as a plug-in device on the back of the printer. If it is necessary to disconnect all electrical power from the printer, disconnect the power cord from the electrical outlet.

### EMERGENCY POWER OFF

If any of the following conditions occur, power off the printer immediately and disconnect the power cord from the electrical outlet. Contact an authorized Xerox service representative to correct the problem if:

- The equipment emits unusual odors or makes unusual noises.
- The power cable is damaged or frayed.
- A wall panel circuit breaker, fuse, or other safety device has been tripped.
- Liquid is spilled into the printer.
- The printer is exposed to water.
- Any part of the printer is damaged.

### BATTERY SAFETY

One or more circuit boards in this printer contain a lithium battery. Do not attempt to repair or replace the lithium battery. If there is a problem with the battery, contact an authorized service representative to correct the problem.



**Caution:** If the battery on a circuit board is installed incorrectly, there is a risk of explosion.

The lithium battery in this printer contains Perchlorate Material. For information about the special handling procedures associated with Perchlorate Material, refer to <https://dtsc.ca.gov/perchlorate/>.

## Operational Safety

Your printer and supplies were designed and tested to meet strict safety requirements. These include safety agency examination, approval, and compliance with established environmental standards.

Your attention to the following safety guidelines helps to ensure the continued, safe operation of your printer.

### OPERATIONAL GUIDELINES

- Do not remove any trays when the printer is printing.
- Do not open the doors when the printer is printing.
- Do not move the printer when it is printing.
- Keep hands, hair, neckties, and so on, away from the exit and feed rollers.
- Covers, which require tools for removal, protect the hazard areas within the printer. Do not remove the protective covers.
- Do not override any electrical or mechanical interlock devices.
- Do not attempt to remove paper that is jammed deeply inside the printer. Switch off the printer promptly and contact your local Xerox representative.



#### Caution:

- The metallic surfaces in the fuser area are hot. Always use caution when removing paper jams from this area and avoid touching any metallic surfaces.
- To avoid a tip hazard, do not push or move the device with all the paper trays extended.

### PRINTER LOCATION

- Place the printer on a level, solid, non-vibrating surface with adequate strength to hold its weight. To find the weight for your printer configuration, refer to *Physical Specifications* section of the User Guide.
- Do not block or cover the slots or openings on the printer. These openings are provided for ventilation and to prevent overheating of the printer.
- Place the printer in an area where there is adequate space for operation and servicing.
- When installing an office printer in a hallway or similar restricted area, additional space requirements can apply. Ensure that you comply with all workspace safety regulations, building codes, and fire codes for your area.
- Place the printer in a dust-free area.
- Do not store or operate the printer in an extremely hot, cold, or humid environment.
- Do not place the printer near a heat source.
- Do not place the printer in direct sunlight to avoid exposure to light-sensitive components.
- Do not place the printer where it is directly exposed to the cold air flow from an air conditioning system.
- Do not place the printer in locations susceptible to vibrations.

- For optimum performance, use the printer at the elevations specified in the *Environmental Specifications* section of the User Guide.

## PRINTER SUPPLIES

- Use the supplies designed for your printer. The use of unsuitable materials can cause poor performance and a possible safety hazard.
- Follow all warnings and instructions marked on, or supplied with, the product, options, and supplies.
- Store all consumables in accordance with the instructions given on the package or container.
- Keep all consumables away from the reach of children.
- Never throw toner, toner cartridges, drum cartridges, or waste cartridges into an open flame.



**Caution:** When handling cartridges, for example toner and such, avoid skin or eye contact. Eye contact can cause irritation and inflammation. Do not attempt to disassemble the cartridge, which can increase the risk of skin or eye contact.

**Warning:** Use of non-Xerox supplies is not recommended. The Xerox Warranty, Service Agreement, and Total Satisfaction Guarantee do not cover damage, malfunction, or degradation of performance caused by use of non-Xerox supplies, or the use of Xerox supplies not specified for this printer. The Total Satisfaction Guarantee is available in the United States and Canada. Coverage could vary outside these areas. Please contact your Xerox representative for details.

## CONSUMABLE INFORMATION



**Caution:** When handling cartridges such as ink/toner or fuser, avoid skin or eye contact. Eye contact can cause irritation and inflammation. Do not attempt to disassemble the cartridge. This can increase the risk of skin or eye contact.

- Store all consumables in accordance with the instructions given on the package or container.
- Keep all consumables away from the reach of children.
- Never throw dry ink/toner, print cartridges, or dry ink/toner containers into an open flame.

For information on Xerox® supplies recycling programs, go to [www.xerox.com/recycling](http://www.xerox.com/recycling).

## Maintenance Safety

Do not attempt any maintenance procedure that is not specifically described in the documentation supplied with your printer.

- Clean with a dry lint-free cloth only.
- Use supplies and cleaning materials only as directed.



**Caution:** Do not use aerosol cleaners. Aerosol cleaners can cause explosions or fires when used on electromechanical equipment.

- Do not remove the covers or guards that are fastened with screws. Customer service items are not located behind these covers.
- In case of a Dry Ink or Toner Spill, use a broom or a wet cloth to wipe off spilled dry ink/toner. Sweep slowly to minimize generation of dust during clean up. Avoid using a vacuum. If a vacuum must be used, the unit should be designed for combustible dusts, with an explosion rated motor and non-conductive hose.



**Caution:** The metallic surfaces in the fuser area are hot. Use caution when removing paper jams from this area and avoid touching any metallic surfaces.

- Do not burn any consumables or routine maintenance items. For information on Xerox® supplies recycling programs, go to [www.xerox.com/environment](http://www.xerox.com/environment).

## Environmental, Health and Safety Contact Information











For more information on Environment, Health, and Safety in relation to this Xerox product and supplies, contact:













- United States and Canada, only: 1-800-ASK-XEROX (1-800-275-9376)
- Web address: [Environmental Health & Sustainability - Xerox](#)
- Email request (world-wide): [EHS-Europe@xerox.com](mailto:EHS-Europe@xerox.com)








For product safety information in the United States and Canada, go to [www.xerox.com/environment](http://www.xerox.com/environment).












## Product Symbols

SYMBOL	DESCRIPTION
	Caution: Indicates a hazard that can result in serious injury or death if not avoided.
	Hot Surface: Hot surface on or in the printer. To avoid personal injury, use caution.
	Warning: Moving parts. To avoid personal injury, use caution.
[No symbol]	Warning: Indicates a mandatory action to take to avoid damage to the property.
	Do not touch the part or area of the printer.
	Do not touch this part of the printer.
	Do not touch the part or area of the printer.
	Do not expose the drum cartridges to direct sunlight.
	Do not burn the item.
	Do not burn the toner cartridges.
	Do not burn the drum cartridges.

SYMBOL	DESCRIPTION
	Do not burn the toner waste cartridge.
	Pinch Hazard: To avoid personal injury, use caution in this area.
	Pinch Hazard: To avoid personal injury, use caution in this area.
	Do not remove the paper forcefully.
	Hot Surface: Before handling, wait for the time indicated.
	On
	Off
	Standby
	Do not use paper attached with staples or any form of binding clip.
	Do not use folded, creased, curled, or wrinkled paper.
	Do not load or use inkjet paper.
	Do not reload paper that is used or printed previously.

SYMBOL	DESCRIPTION
	Do not use postcards.
	Do not use envelopes.
	Do not copy money.
	Add paper or media.
	Paper jam
	Lock
	Unlock
	Paper clip
	Cooling
	Elapsed time
	Supply paper
	1-Sided original document
	Hole-punched paper

SYMBOL	DESCRIPTION
	Load letterhead face up.
	Load letterhead face down.
	Load labels face down.
	USB: Universal Serial Bus
	LAN: Local Area Network
	Telephone Line
	Weight
	Services Home button
	This item can be recycled.

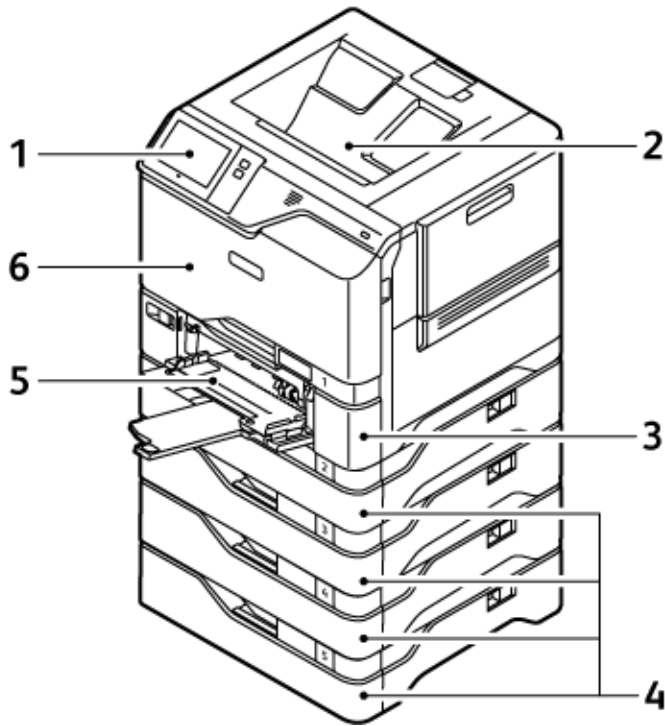
# Getting Started

This chapter contains:

- Parts of the Printer ..... 30
- Power Options ..... 37
- Accessing the Printer ..... 39
- Apps, Features, and Functions ..... 42
- Information Pages ..... 43
- The Embedded Web Server ..... 45
- Installation and Setup ..... 50
- Connecting the Printer ..... 54
- Initial Printer Setup ..... 61
- Installing the Print Driver Software ..... 63
- More Information ..... 68

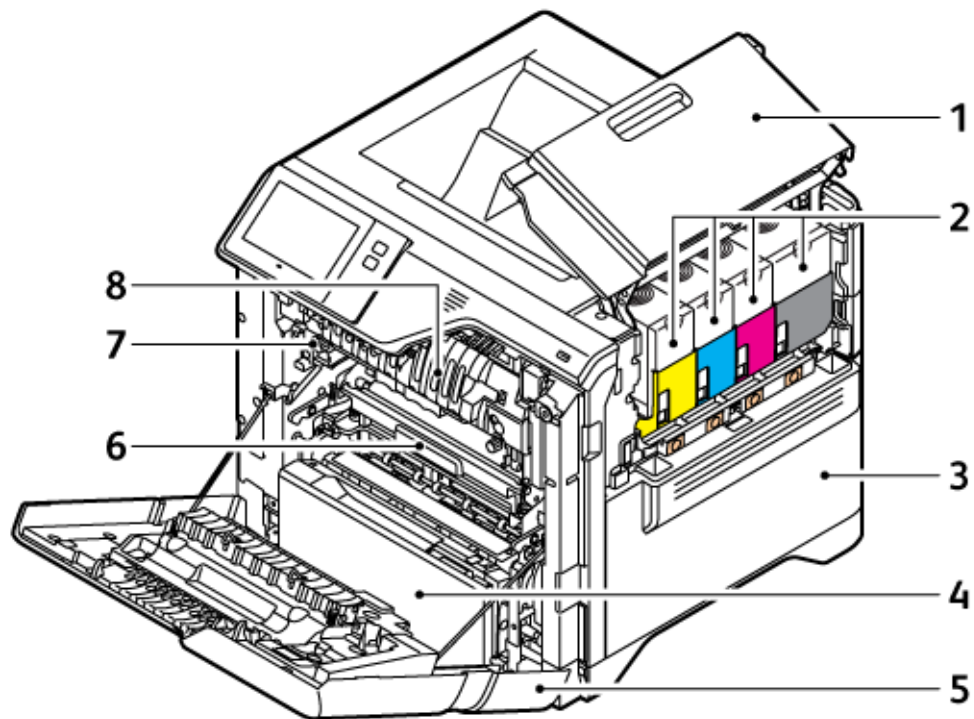
## Parts of the Printer

### FRONT VIEW



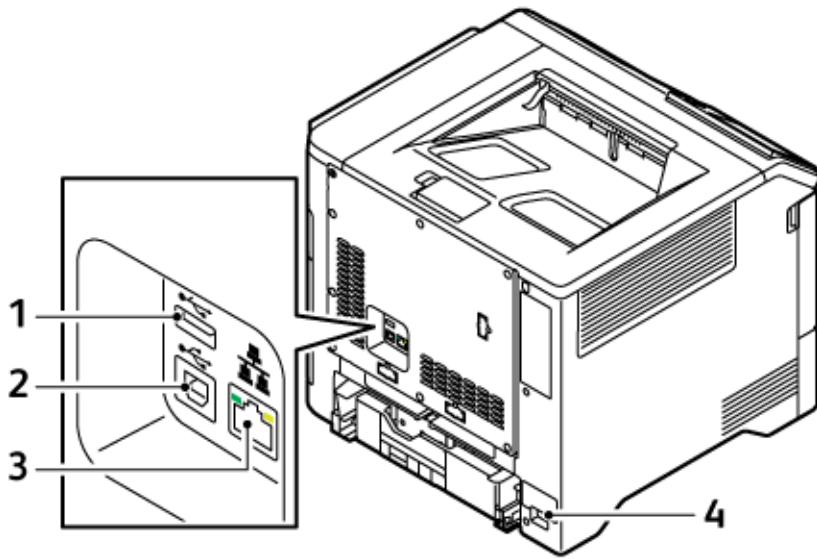
1. Control Panel or User Interface
2. Standard Output Tray
3. Tray 1, Standard 550-sheet Tray with an integrated 100-sheet Bypass Tray
4. Trays 2–5, Optional 550-sheet Trays
5. Bypass Tray, 100-sheets
6. Door A, Front Door

## INTERNAL PARTS



1. Door B, Side Door
2. Toner Cartridges and Imaging Unit
3. Waste Toner Bottle Assembly
4. Tray 1, Standard 550-sheet Tray with an integrated 100-sheet Bypass Tray
5. Door A, Front Door
6. Transfer Module
7. Fuser Assembly
8. Paper Guide

## REAR VIEW



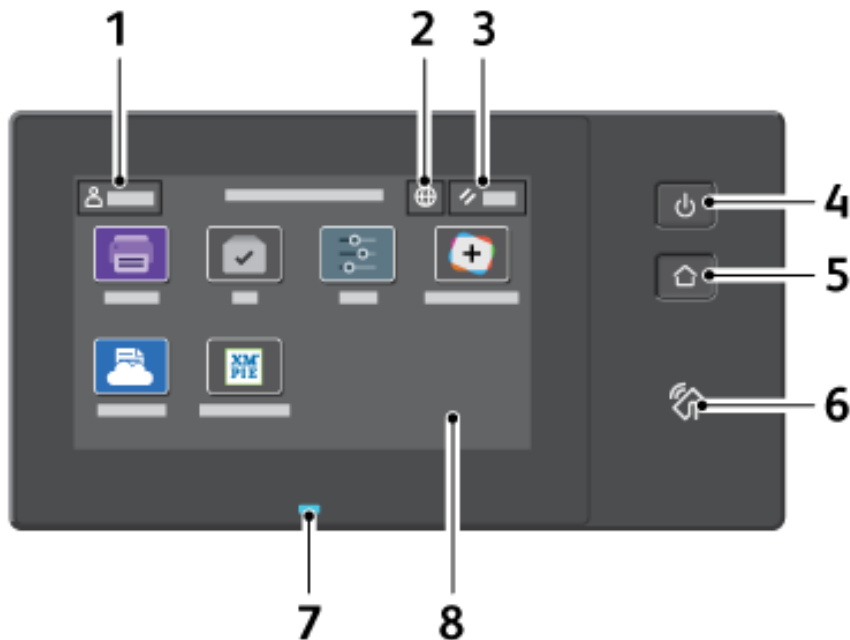
1. USB Port, Type A
2. USB Port, Type B
3. Ethernet Port
4. Main Power Outlet


## CONTROL PANEL


The control panel consists of a touch screen and buttons that you press to control the functions that are available on the printer. The control panel has the following functions:

- Displays the current operating status of the printer.
- Provides access to print and other features.
- Provides access to reference materials.
- Provides access to the Tools and Setup menus.
- Prompts you to load paper, replace supplies, and clear paper jams.
- Displays errors and warnings.
- Provides the Power/Wake button that is used to power on or off the printer. This button supports the power-saver modes, and the button indicator pulses to indicate the power status of the printer.

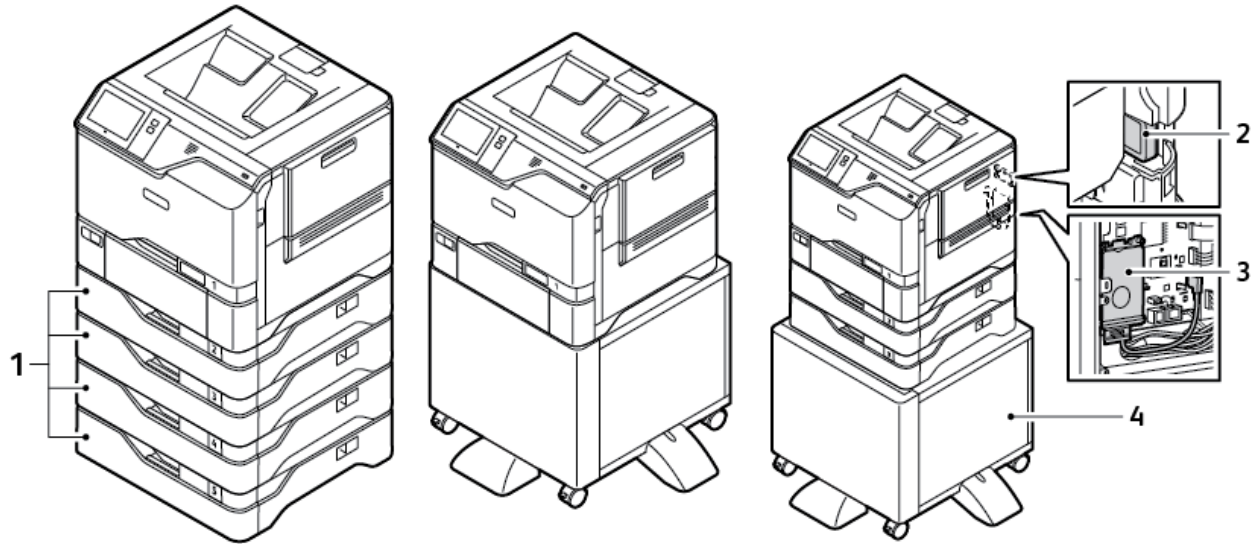




ITEM	NAME	DESCRIPTION
1	Log In Button	Touching the Log In button on the control panel touch screen allows you to log in and identify yourself to the printer. To access printer features, log in with your user credentials. If you do not know your user name or password, contact your system administrator.
2	Language Button	Touching the Language button allows you to set the language that appears on the control panel touch screen.   Note: Sometimes this option is hidden from view. For details, refer to the <i>System Administrator Guide</i> at <a href="http://www.xerox.com/office/VLC620docs">www.xerox.com/office/VLC620docs</a> .
3	Reset Button	Use the Reset button to reset all the apps to the default settings.
4	Power/Wake Button	This button serves several power-related functions: <ul style="list-style-type: none"> <li>• When the printer is powered off, pressing this button powers on the printer.</li> <li>• When the printer is powered on, pressing this button displays a menu on the control panel. From this menu, you can choose to enter Sleep Mode, restart the printer, or power off the printer.</li> <li>• When the printer is powered on, but in Sleep Mode, pressing this button wakes the printer.</li> </ul> The button indicator pulses to indicate the power status of the printer: <ul style="list-style-type: none"> <li>• When the light pulses slowly, the printer is in Sleep Mode.</li> <li>• When the light pulses rapidly, the printer is powering off or waking up.</li> </ul>

ITEM	NAME	DESCRIPTION
5	Home Button	This button provides access to the Home menu for access to printer features, such as print and other Xerox applications.
6	NFC Area	Near Field Communication (NFC) is a technology that enables devices to communicate when they are within the network range of each other. Use the NFC area to obtain a network interface, to add the printer to your mobile device, or to establish a TCP/IP connection between your device and the printer.
7	Status Indicator	<p>This light pulses blue or amber to indicate the printer status.</p> <p>Blue:</p> <ul style="list-style-type: none"> <li>• Pulses blue once for access-card authentication when there is a delay in response from a remote server.</li> </ul> <p> Note: Some card readers are not compatible with this feature.</p> <ul style="list-style-type: none"> <li>• Pulses blue twice slowly to indicate that a job has completed.</li> <li>• Pulses blue rapidly while the printer is powering on, or to signal detection of an Identify Printer function from AirPrint, when applicable.</li> </ul> <p>Amber:</p> <p>Pulses amber to indicate an error condition or warning that requires your attention or the attention of your system administrator. For example, this color can indicate an out-of-toner condition, a paper jam, or that the printer is out of paper for the current job.</p>
8	Touch Screen Display	The screen displays information and provides access to the printer functions and apps, such as print and other Xerox applications.

## ADDITIONAL CONFIGURATIONS AND OPTIONS



1. Trays 2–5, Optional 550-sheet Tray Module
2. Wireless Network Adapter with Bluetooth
3. Productivity Kit (500+ GB Hard Disk Drive)
4. Printer Stand

## PAPER TRAY OPTIONS


The printer can have up to six paper trays:

- Tray 1: Standard 550-sheet Tray with an integrated 100-sheet Bypass Tray
- Trays 2, 3, 4, and 5: Optional 550-sheet Trays

### Configuring Dedicated Paper Trays

The system administrator can set trays to Fully Adjustable mode or Dedicated mode. When a paper tray is set to Fully Adjustable mode, you can change paper settings each time that you load the tray. When a paper tray is set to Dedicated mode, the control panel prompts you to load a specific paper size, type, and color.

Your printer can have up to four optional standard paper trays that can be configured as Fully Adjustable or Dedicated trays. The only tray that cannot be set as Dedicated is the Bypass Tray.

 Note: To configure tray settings, refer to the *System Administrator Guide* at [www.xerox.com/office/VLC620docs](http://www.xerox.com/office/VLC620docs).

### Paper Size Confirmation

The system administrator can configure the device response that appears on the control panel touch screen when paper of the same size is loaded in a tray. For standard adjustable paper trays, select an option:

- **Always Show:** This option shows the paper confirmation prompt on the control panel touch screen until the user dismisses it.
- **Delayed Confirmation:** This option shows the paper confirmation prompt for a specified time. At the end of the specified time, the prompt closes, which confirms the paper that is loaded. While the prompt appears on the control panel touch screen, you can confirm any change to the paper type, color, and size.
- **Auto Confirmation:** This option confirms the paper type, color, and size automatically without showing a confirmation prompt on the control panel touch screen.



Note: Xerox® does not recommend using the **Auto Confirmation** option unless you always load the tray with paper of the exact same type, color, and size. To configure the Automatic Tray Confirmation Prompt, refer to **Required Paper Policies** in the *System Administrator Guide* at [www.xerox.com/office/VLC620docs](http://www.xerox.com/office/VLC620docs).

## Power Options

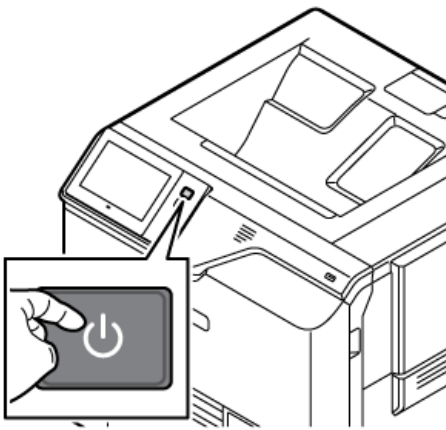
### POWER SAVER

To reduce standby power consumption, you can use Sleep Timeout to set the time that the printer spends idle in Ready mode before the printer transitions to Sleep Mode.

### POWERING ON THE PRINTER OR EXITING SLEEP MODE

The printer has one power switch. The power switch is the Power/Wake button on the control panel. The Power/Wake button controls power to the printer electronic components, and when powering off, it initiates a software-controlled shutdown procedure. The preferred method to power on and off the printer is to use the Power/Wake button.

- To power on the printer, on the printer control panel, press the **Power/Wake** button.



- To enter or exit Sleep Mode, press the **Power/Wake** button.



Note:

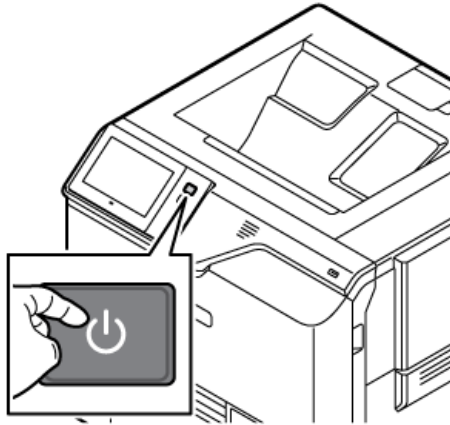
- When the printer receives data from a network connected device, the printer exits Sleep Mode automatically.
- When the printer receives data from a network print job, to reduce power consumption, only necessary electronic components exit Sleep mode automatically. The control panel does not exit Sleep Mode.
- When the printer is in Sleep Mode, the touch screen is powered off and unresponsive. To wake the printer manually, press the **Power/Wake** button.
- If Auto Power Off is enabled, the printer powers off automatically after the specified conditions are met. To enable Auto Power Off mode, contact your System Administrator. For details, refer to the *System Administrator Guide* at [www.xerox.com/office/VLC620docs](http://www.xerox.com/office/VLC620docs).

**Warning:** The main power outlet is at the rear side of the printer. Do not plug or unplug the power cord while the printer is powered on.

## RESTARTING, PLACING IN SLEEP MODE, OR POWERING OFF THE PRINTER

To restart the printer, place the printer in Sleep Mode or power off the printer:

1. At the printer control panel, press the **Power/Wake** button.



2. Select an option:

- To restart the printer, touch **Restart**.
- To place the printer in Sleep Mode, touch **Sleep**.  
In Sleep Mode, the touch screen goes dark and the **Power/Wake** button pulses.
- To power off the printer, touch **Power Off**. A `Please Wait` message appears as the printer powers off.



Note: It is not recommended but if required, to power off the printer immediately, press and hold the **Power/Wake** button for 5 seconds.

3. If you want to power off the printer for an extended period, disconnect the printer from the main power outlet.

**Warning:** Do not unplug the power cord while the printer powers down.

## Accessing the Printer

### AUTHENTICATION

Authentication is the process of confirming your identity. When the system administrator enables authentication, the printer compares the information that you provide to another source of information, such as an LDAP directory. The information can be a user name and password, or the information stored on a magnetic, proximity, radio frequency identification (RFID), or smart card. If the information is valid, you are considered an authenticated user.

There are several ways to authenticate a user:

- **User Name/Password - Validate on the Device:** This option enables local authentication. Users prove their identity by typing a user name and password at the control panel or in the Embedded Web Server. The printer compares the user credentials to the information stored in the user database. If there are a limited number of users, or you do not have access to an authentication server, use this authentication method.
- **User Name/Password - Validate on the Network:** This option enables network authentication. Users prove their identity by typing a user name and password at the control panel or in the Embedded Web Server. The printer compares the user credentials to the information stored on an authentication server.
- **Convenience Authentication:** If this option is enabled, a card with a magnetic strip or RFID is used. A convenience authentication card is different from a smart card, which uses an embedded chip and typically requires a login and password. If the optional integrated RFID reader is installed, for authentication, users place a pre-programmed card over the RFID reader at the control panel.
- **Xerox Workplace Cloud:** This option enables cloud-based authentication. The printer connects directly to the Xerox® Workplace Cloud solution. This method provides multiple options for authentication. To prove their identity, users can use mobile authentication methods such as NFC or QR Codes, use an identification card, or type a user name and password.
- **Xerox Secure Access - Unified ID System:** This option enables authentication for the Xerox Secure Access Unified ID System. Users present a pre-programmed identification card to a card reader at the control panel. The printer compares the user credentials to the information stored on the Xerox® Secure Access server.
- **Identity Provider (IdP) - Validate on Cloud:** This option enables cloud-based authentication through an identity provider (IdP). The device establishes a secure connection with the IdP, then passes the user credentials to the IdP for authentication.
- **Smart Cards:** This option enables authentication for a smart card reader. Users insert a pre-programmed identification card in a card reader at the control panel.
- **Custom Authentication:** To use this authentication method, a feature installation key is required. After entering the feature installation key, the customized authentication methods provided by Xerox are available for configuration.



Note: The system administrator can allow you to type your user name and password when Convenience Authentication or Smart Cards is set as the primary authentication method. If the administrator configures an alternative authentication method, and you misplace your card, you can still access the printer.

For information about configuring Authentication settings, refer to the *System Administrator Guide* at [www.xerox.com/office/MLC620docs](http://www.xerox.com/office/MLC620docs).

## AUTHORIZATION

Authorization is the function of specifying the features that users are allowed to access, and the process of approving or disapproving access. You can configure the printer to allow users to access the printer, but restrict access to certain features, tools, and apps. For example, you can allow users to access printing but restrict access to other Xerox apps. You can also control access to features at specific times of the day. For example, you can restrict a group of users from printing during peak business hours.

There are two types of authorization:

- **Local Authorization** verifies user information on the printer to approve access.
- **Network Authorization** verifies user information stored externally in a network database, such as an LDAP directory, to approve access.

For information about configuring Authorization settings, refer to the *System Administrator Guide* at [www.xerox.com/office/VLC620docs](http://www.xerox.com/office/VLC620docs).

## PERSONALIZATION

Personalization is the process of customizing and configuring the device information and settings for a logged-in user.

Personalization allows logged-in users to create a personalized user experience at the local user interface. Personalization for logged-in users is enabled by default.

Personalization allows a logged-in user to configure the following settings:

- **Personalized walk-up screen:** When a user logs in, the device launches their preferred app instead of the default walk-up screen.
- **Personalized home screen:** A user can select their preferred apps to display in a preferred order on the home screen.
- **Personalized Adaptive Learning suggestions:** Adaptive Learning personalization offers workflow-automation suggestions to help logged-in users streamline their workflow. Personalized app workflow suggestions include Language preference settings.

For a logged-in user, all personalized settings override the device defaults.



Note: The options available are defined by the administrator. For example, if the administrator has chosen to limit permissions for the use of an app, the individual user cannot override those permissions.

For more information about all the Personalization options, refer to [Personalize](#).



Note: To allow the logged-in user to personalize their local user interface experience, the System Administrator is required to configure the device personalization policy. For information on configuring the device policy to enable user personalization, refer to the *System Administrator Guide* at [www.xerox.com/office/VLC620docs](http://www.xerox.com/office/VLC620docs).

## ACCOUNTING

Accounting is used to track and record the numbers of Print jobs that the device produces for each user. The system administrator is required to create user accounts and enable the accounting feature. After Accounting is enabled,



provide Accounting IDs at the printer to access restricted apps. If Authentication is enabled, you are required to log in first. Before you print documents from a computer, provide your account details in the print driver.

The system administrator can set limits to restrict the total number of jobs by type that a user can send to the printer. The administrator can generate reports that list usage data for individual users and groups.

For details, refer to the *System Administrator Guide* at [www.xerox.com/office/VLC620docs](http://www.xerox.com/office/VLC620docs).

## LOGGING IN

Logging in is the process by which you identify yourself to the printer for authentication. If authentication is set, to access printer features, you log in with your user credentials.

### Logging In at the Control Panel



Note:

- Before logging in for the first time at the Xerox device control panel, log in to the Embedded Web Server, then update your password. For details, refer to [Logging In Using the Embedded Web Server](#).
- If you do not know your user name or password, contact your system administrator.

1. At the printer control panel, press the **Home** button.
2. Touch **Log In**.
3. For User Name, use the keypad and enter your name, then touch **Next**.
4. If prompted, enter the password, then touch **Done**.



Note: To access each app that is password-protected, repeat steps 3 and 4.

## Apps, Features, and Functions

### INTRODUCTION TO APPS

Xerox Apps are a gateway to the features and functions of your device. Standard Apps are installed already on the device and appear on the Home screen. Some Apps are installed as standard, but are hidden the first time you use the device.

When you log in, the Apps configured for your personal account appear on the control panel.

You can download more Apps for your device from the Xerox® App Gallery. For more information, refer to [Xerox® App Gallery](#).

### ADAPTIVE LEARNING

Adaptive Learning offers workflow-automation and suggestions to help users to streamline their workflows. When Adaptive Learning is enabled, you can set the device defaults automatically:

**Automatically Set Device Defaults:** This feature is enabled by the administrator and provides customization of default settings based on device usage by walk-up users. Options include the default walk-up screen. This feature is enabled by default, which collects usage data and makes changes to the device defaults only if it detects a different usage pattern than the defaults.



Note: When Adaptive Learning makes changes to the device defaults, a notification banner appears. You can temporarily dismiss the banner, but it reappears at each session during the 8-day notification period to inform everyone using the device about the changes.

For more information, refer to [Personalize](#).



Note: The Adaptive Learning personalization feature is available to logged-in users only.

For detailed instructions on how to configure Adaptive Learning, refer to the *System Administrator Guide* at [www.xerox.com/office/VLC620docs](http://www.xerox.com/office/VLC620docs).

## Information Pages

Your printer has a set of information pages that you can print. These pages include configuration and font information, getting started pages, and more.

The following Information Pages are available:

NAME	DESCRIPTION
Basic Configuration Report	The Basic Configuration Report provides printer information, including the serial number, installed options, network settings, port setup, tray information, and more.
Detailed Configuration Report	The Detailed Configuration Report provides information about all of the printer settings, including extensible services setup, security and authentication server configuration, connectivity settings, and more.
Billing Summary	The Billing Summary Report provides information about the device and a detailed listing of the billing meters and sheet counts.
Getting Started	The <i>Getting Started</i> guide provides an overview of the key features of the printer.
Troubleshooting Print Quality Page	The Troubleshooting Print Quality Page provides a list of common print-quality problems and tips to help solve them.
Supplies Usage Page	The Supplies Usage Page provides coverage information and part numbers for reordering supplies.
Graphics Demo Page	Print this page to check the quality of graphics.
PCL Font List	The PCL Font List provides a printout of all PCL fonts that are available on the printer.
PostScript Font List	The PostScript Font List provides a printout of all PostScript fonts that are available on the printer.

### PRINTING INFORMATION PAGES

1. At the printer control panel, press the **Home** button.
2. Touch **Device > Information Pages**.
3. To print an information page, touch the needed page, then touch **Print**.  
The printer prints the selected information page.
4. To return to the Home screen, press the **Home** button.

## CONFIGURATION REPORTS

There are two configuration reports available, a **Basic Configuration Report**, and a **Detailed Configuration Report**. The configuration reports provide product information, including installed options, network settings, port setup, tray information, and more.

### Printing a Configuration Report

1. At the printer control panel, press the **Home** button.
2. Touch **Device > Information Pages**.
3. Touch **Basic Configuration Report** or **Detailed Configuration Report**, then touch **Print**.

The printer prints the chosen configuration report.

4. To return to the Home screen, press the **Home** button.

## The Embedded Web Server

The Embedded Web Server is the administration and configuration software that is installed in the printer. It allows System Administrators to modify network and system settings on the printer remotely using a Web browser.

You can check the status of the printer, monitor paper and supply levels, and submit and track print jobs. All these functions can be accessed from the convenience of your computer.

The Embedded Web Server requires:

- A TCP/IP connection between the printer and the network in Windows, Macintosh, UNIX, or Linux environments.
- TCP/IP and HTTP enabled in the printer.
- A network-connected computer with a Web browser that supports JavaScript.

### FINDING THE IP ADDRESS OF YOUR PRINTER

You need the IP address of your printer to do the following:

- To install the print driver for a network-connected printer.
- To access the settings of your printer through the Embedded Web Server.

You can view the IP address of your printer on the control panel or on a configuration report.



Note: To view the TCP/IP address on the control panel, wait until the printer has been on for 2 minutes. If the TCP/IP address is 0.0.0.0, or begins with 169, it indicates that there is a network connectivity issue.

### Viewing the IP Printer Address on the Control Panel

To view the IP address of the printer on the control panel:

1. At the printer control panel, press the **Home** button.
2. Touch **Device > About**.

The IP address appears in the Network section of the About screen for Wired IPv4 Address or Wired IPv6 Address.

3. Record the IP address from the display.
4. To return to the Home screen, press the **Home** button.

### Obtaining the Printer IP Address from a Configuration Report

To obtain the printer IP address from a configuration report:

1. At the printer control panel, press the **Home** button.
2. Touch **Device > Information Pages**.
3. Touch **Basic Configuration Report** or **Detailed Configuration Report**, then touch **Print**.

The printer prints the chosen configuration report. The IP address appears in the Common User Data section of the configuration report.

4. To return to the Home screen, press the **Home** button.

## ACCESSING THE EMBEDDED WEB SERVER

At your computer, open a Web browser. In the address field, type the IP address of the printer, then press **Enter** or **Return**.

To use the Embedded Web Server, click the page required:

- **Home:** This page provides a description of the printer and current notifications, the status of the paper trays, and supplies and billing information. There is a Quick Links area at the bottom of the page that provides direct access to key functions and pages.
- **Jobs:** The Jobs page enables you to manage active jobs on the printer, view, print, and delete saved jobs, and create and manage saved job folders.
- **Print:** This page enables you to submit print-ready files to the printer for printing. You can select options for print jobs using this page. Only print-ready files can be submitted, for example PDF, PS, PCL, JPG, TXT, PRN, and TIFF file formats.
- **Properties:** You can use the Properties tab to access and configure settings for your device. System administrator login credentials are required to change most settings.
- **Support:** This page provides access to general support information and telephone numbers. You can use the Support page to access the Remote Control Panel and send diagnostic information to Xerox.

The Embedded Web Server has a Help option that provides information about all available device features and functions. To access Help, click the **Help** link displayed at the bottom of each page. Navigate to the topic required, or use the **Search** function to find specific information.

For detailed instructions on how to use the Embedded Web Server to configure printer settings, refer to the *System Administrator Guide* at [www.xerox.com/office/VLC620docs](http://www.xerox.com/office/VLC620docs).

## LOGGING IN USING THE EMBEDDED WEB SERVER

To access certain features, tools, and apps, log in to the Embedded Web Server for your device.



Note: Access to some restricted functions requires administrator rights. For more information, refer to the *System Administrator Guide* at [www.xerox.com/office/VLC620docs](http://www.xerox.com/office/VLC620docs).

To log in to the Embedded Web Server:

1. At your computer, open a Web browser. In the address field, type the IP address of the printer, then press **Enter** or **Return**.
2. In the top right area of the page, click **Login**.
3. Enter your User ID and password, then click **Login**.
4. If you are logging in for the first time, set up a password.
  - a. Type the old password.
  - b. Type a new password. To verify the password, retype it.



Note: The new password must adhere to all minimum password requirements. For details, contact your system administrator, or refer to the *System Administrator Guide* at [www.xerox.com/office/VLC620docs](http://www.xerox.com/office/VLC620docs).

- c. Click **Save**. The new password is stored.

## CERTIFICATES FOR THE EMBEDDED WEB SERVER

Your device includes an HTTPS certificate. The device generates the certificate automatically during device installation. The HTTPS certificate is used to encrypt communications between your computer and the Xerox device.

 Note:

- The Embedded Web Server page for your Xerox device can display an error message that the security certificate is not trusted. This configuration does not lessen the security of the communications between your computer and the Xerox device.
- To eliminate the connection warning in your Web browser, you can replace the certificate with a signed certificate from a Certificate Authority. For information on obtaining a certificate from a Certificate Authority, contact your Internet Service Provider.
- To eliminate the connection warning in your Web browser, you can download the Xerox Root CA certificate from the device Embedded Web Server, then install the certificate on your client.


For information on obtaining, installing, and enabling certificates, refer to the *System Administrator Guide* at [www.xerox.com/office/VLC620docs](http://www.xerox.com/office/VLC620docs).

## DOWNLOADING THE CONFIGURATION REPORT FROM THE EMBEDDED WEB SERVER

From the Embedded Web Server, you can download and save a copy of the Configuration Report to your computer hard drive. Use configuration reports from multiple devices to compare software versions, configurations, and compliance information.

To download a copy of the Configuration Report from the Embedded Web Server:

1. At your computer, open a Web browser. In the address field, type the IP address of the printer, then press **Enter** or **Return**.

 Note: For details about obtaining the IP address of your printer, refer to [Finding the IP Address of Your Printer](#).


2. To download the Configuration Report, scroll to the bottom of the page. In the Quick Links section, click **Download Configuration Page**.

 Note: If the **Download Configuration Page** option does not appear, log in as a system administrator.

The document is saved automatically as an XML file in the default download location on your computer hard drive. To open the Configuration Report, use an XML viewer.

## USING THE REMOTE CONTROL PANEL FEATURE

The Remote Control Panel feature in the Embedded Web Server allows you to access the printer control panel remotely from a Web browser.

 Note: To access the Remote Control Panel, first enable the feature. For details, contact your system administrator or refer to the *System Administrator Guide* at [www.xerox.com/office/VLC620docs](http://www.xerox.com/office/VLC620docs).

To access the Remote Control Panel feature:

1. At your computer, open a Web browser. In the address field, type the IP address of the printer, then press **Enter** or **Return**.



Note: For details about obtaining the IP address of your printer, refer to [Finding the IP Address of Your Printer](#).

2. In the Quick Links area, click **Remote Control Panel**.



Note: If the Remote Control Panel option is not displayed or fails to load, contact your system administrator.

3. To restrict other users from accessing the device control panel when you are connected remotely to the device, click **Block device control panel (local user can only observe)**.



Note: If a local user attempts to access the control panel while the device control panel is locked, the control panel does not respond. A message appears on the control panel, confirming that the control panel is locked and the device is being controlled remotely.

4. To enable remote access to the device control panel, click **Start Remote Session**. The remote control panel sends a request to the local control panel.
  - If the local control panel is inactive, the remote control panel session is activated automatically.
  - If a local user is active on the device, a `Remote Session Request` message appears on the local control panel. The local user chooses to accept or deny the request. If the request is accepted, the remote control panel session is activated. If the request is denied, a `Request Denied` message appears in the Embedded Web Server.



Note: If the system administrator requests a remote session, if the request is denied, an option to override the local session is displayed.

## DOWNLOADING THE PRINT DRIVERS FROM THE EMBEDDED WEB SERVER

You can download the Print Drivers for your device from the Embedded Web Server.

1. In your computer Web browser, open the Embedded Web Server by typing the IP address of the printer.
2. Click **Support > General**.
3. To download the Print Drivers, at Assistance Links, click **Install Print Drivers**.

The Smart Start installer file is downloaded to your computer.

## USING XEROX® WORKPLACE CLOUD TO MANAGE YOUR DEVICE

Xerox® Workplace Cloud is a cloud-based print solution that can remotely manage many aspects of your device. Xerox® Workplace Cloud provides authentication, print management, cost control, and mobility workflows.

Features such as Pull Printing allow you to submit your jobs to a secure single queue from any computer or mobile device. After you have authenticated with the networked device of your choice, you can view, modify, print, or delete your job as needed.

Flexible authentication options enable you to release your pull print jobs securely, and access your printer apps. Single Sign-on (SSO) authentication is provided allowing you to access all of your SSO-enabled apps without having to perform any additional login steps.

Xerox® Workplace Cloud is easy to set up and use, and because it is hosted in the cloud, Xerox manage all updates



and patches.

For more information about enabling Xerox® Workplace Cloud for your device, contact your system administrator or refer to the *System Administrator Guide* at [www.xerox.com/office/VLC620docs](http://www.xerox.com/office/VLC620docs).

## ORDERING SUPPLIES FROM THE EMBEDDED WEB SERVER

To order supplies from the Embedded Web Server:

1. In your computer Web browser, open the Embedded Web Server by typing the IP address of the printer.
2. Go to **Home > Supplies**.
3. Click **Details** in the Supplies tab, then click **Order Supplies**.
4. Click **Order** on the respective supplier under Buy From.

It shows the complete information of the supplier, such as Supplier Name, Phone Number, and Website URL.

5. To order supplies, click **Buy**.

It takes you to the web page of your supply provider. You can order your required supplies.

Xerox Retail Store is your default option to order supplies directly from Xerox. Also, in the Order Supplies page, you can view the following information of your printer:

- Supplies Plan
- Supplies Log

6. In the Supplies Log, set the Last Ordered Date and add your Notes.
7. Click **Save**, then click **Close**.

For more information about setting up a supplier, refer to the *System Administrator Guide* at [www.xerox.com/office/VLC620docs](http://www.xerox.com/office/VLC620docs).

## Installation and Setup

For reference:

- *Installation Guide* packaged with your printer
- Online Support Assistant at [www.xerox.com/office/VLC620docs](http://www.xerox.com/office/VLC620docs)

### INSTALLATION AND SETUP OVERVIEW

Before you print, ensure that your computer and the printer are plugged in, powered on, and connected. Configure the initial settings of the printer, then install the print driver software and utilities on your computer.

You can connect to your printer directly from your computer using USB, or connect to a network using an Ethernet cable or wireless connection. Hardware and cabling requirements vary for the different connection methods. Routers, network hubs and switches, modems, Ethernet cables, and USB cables are not included with your printer and must be purchased separately. Xerox recommends an Ethernet connection because it is typically faster than a USB connection, and it provides access to the Embedded Web Server.

For more information, refer to the *System Administrator Guide* at [www.xerox.com/office/VLC620docs](http://www.xerox.com/office/VLC620docs).

### SELECTING A LOCATION FOR THE PRINTER



**Caution:** To avoid personal injury and damage to the printer, professional installation of the printer is required.

1. Select a dust-free area with temperatures from 10°–32° C (50°–90° F), and relative humidity of 15–85 percent.



Note: Sudden temperature fluctuations can affect print quality. Rapid heating of a cold room can cause condensation inside the printer, which directly interferes with image transfer.

2. Place the printer on a level, solid, non-vibrating surface with adequate strength to hold the weight of the printer. Ensure that the printer is horizontal and that all four feet are in solid contact with the surface. To find the weight for your printer configuration, refer to [Physical Specifications](#).
3. Select a location with adequate clearance to access supplies and to provide proper ventilation. To find the clearance requirements for your printer, refer to [Clearance Requirements](#).
4. After you position the printer, you are ready to connect it to the power source and computer or network.

### UPDATING THE PRINTER SYSTEM SOFTWARE

Before installing print driver, verify that the printer has the latest version of system software loaded. When Xerox releases a new version of printer system software or firmware, you can update your device. To ensure a successful software update, follow the steps provided with the software files. Printer system software is downloaded from [www.xerox.com/office/VLC620support](http://www.xerox.com/office/VLC620support).

Before you download and install new software, determine the current software version installed on your device. Print a configuration report to compare the system software version with the version available for download. For

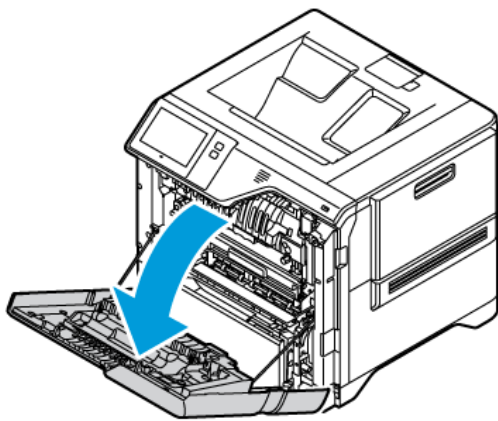
instructions about printing a configuration report, refer to [Printing a Configuration Report](#).

Follow the instructions provided with the software to download the files and upgrade your device. You can configure the device to connect routinely to an FTP directory on your network to update device software automatically. You can also update the device software manually. For more information about updating system operating software, refer to the *System Administrator Guide* at [www.xerox.com/office/VLC620docs](http://www.xerox.com/office/VLC620docs).

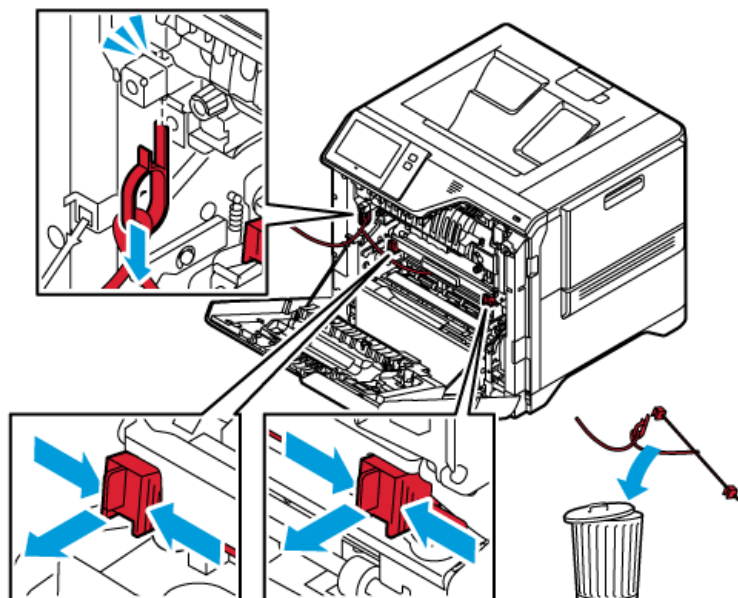
## REMOVING THE INTERNAL PACKING MATERIALS

The printer comes with internal packing materials. Remove the packing materials and install the imaging unit and the toner cartridge correctly.

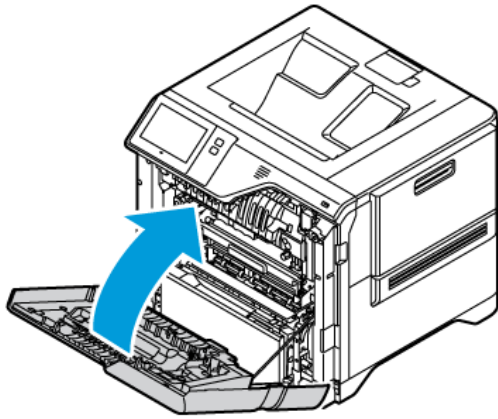
1. At the front of the printer, open Door A.



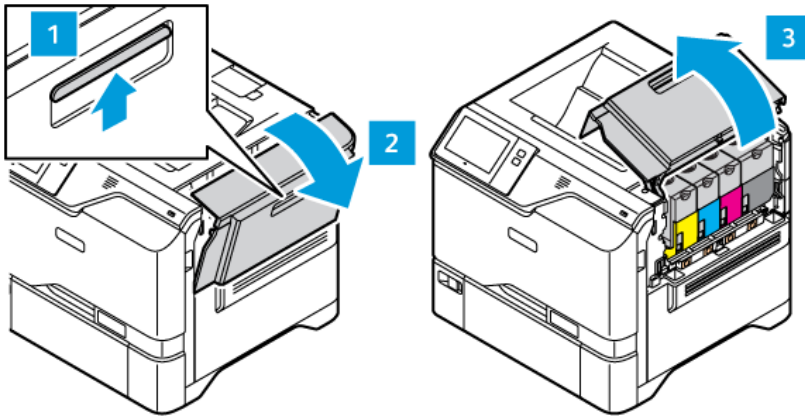
2. Remove the red plastic loops and clips.



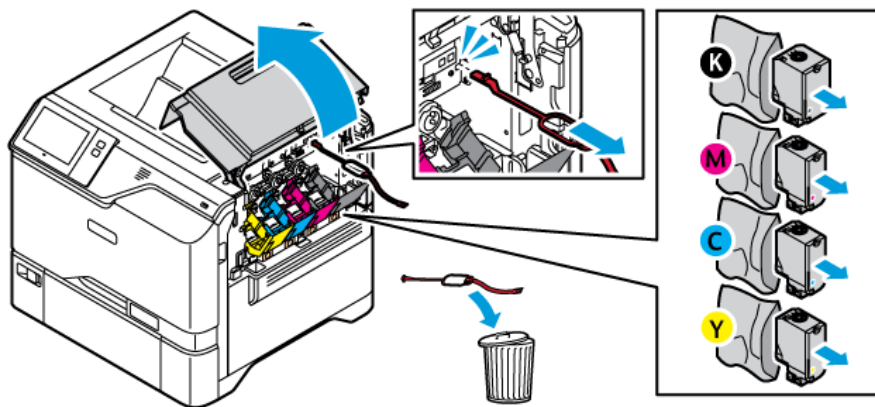
3. Close Door A.



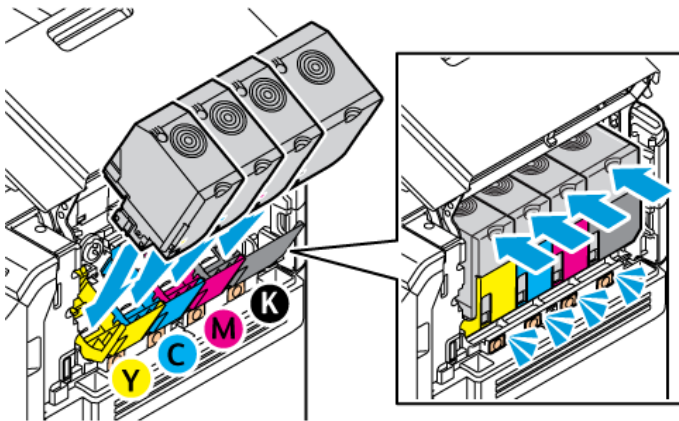
4. At the right side of the printer, open and pull up Door B.



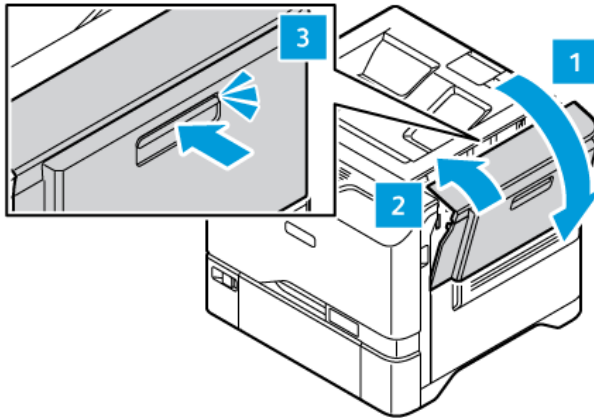
5. Remove the red plastic loop.
6. To release and remove the toner cartridges from the printer, press the buttons below each toner cartridge.
7. Remove the toner cartridges from their packaging.



8. After you remove the packaging, install the toner cartridges back to their original position.



9. Close Door B.



For more information, refer to the *Installation Guide* of the printer.

## Connecting the Printer

### SELECTING A CONNECTION METHOD

You can connect the printer to your computer using a USB cable, Ethernet cable, or wireless connection. The method that you select depends on how your computer is connected to the network. A USB connection is a direct connection and is the easiest to set up. An Ethernet connection is used to connect to a network. If you are using a network connection, it is important to understand how your computer is connected to the network.



Note: Hardware and cabling requirements vary for the different connection methods. Routers, network hubs, network switches, modems, Ethernet cables, and USB cables are not included with your printer and require a separate purchase.

### USB

If you connect the printer to one computer and do not have a network, use a USB connection. A USB connection offers fast data speeds, but typically is not as fast as a network connection.

### Network

If your computer is connected to an office network or home network, use an Ethernet cable to connect the printer to the network. You cannot connect the printer directly to the computer. A connection through a router or network switch is required. An Ethernet network can be used for one or more computers and supports many printers and systems simultaneously. An Ethernet connection is typically faster than USB and allows you direct access to the settings of the printer using the Embedded Web Server.



Note: To access the Embedded Web Server, a network connection is required.

### Wireless Network

If your environment includes a wireless router or wireless access point, you can connect the printer to the network with a wireless connection. A wireless network connection provides the same access and services as a wired connection. A wireless network connection is typically faster than USB and allows direct access to the settings of the printer using the Embedded Web Server.



Note: For your printer, to connect to a Wireless Network, a Wireless Network Adapter is required.

### CONNECTING TO A COMPUTER USING A USB CABLE

To connect the printer to a computer using a USB cable, you need one of these operating systems:

- Windows 10, Windows 11, Windows Server 2012, Windows Server 2016, Windows Server 2019, and Windows Server 2022.
- Macintosh OS version 11 and later.
- UNIX and Linux: Your printer supports connection to various UNIX platforms through the network interface.

To connect the printer to a computer using a USB cable:

1. Connect the B end of a standard A/B USB 2.0 or USB 3.0 cable to the USB Port on the back of the printer.
2. Connect the A end of the USB cable to the USB port on the computer.
3. If the Windows Found New Hardware Wizard appears, click **Cancel**.

4. Install the print driver.

For more information, refer to [Installing the Print Driver Software](#).

## CONNECTING TO A WIRED NETWORK

Use a Category 5 or better Ethernet cable to connect the printer to the network. An Ethernet network is used for one or more computers and supports many printers and systems simultaneously. An Ethernet connection provides direct access to printer settings using the Embedded Web Server.

To connect the printer:

1. Connect the power cord to the printer, then plug the cord into an electrical outlet.
2. Connect one end of a Category 5 or better Ethernet cable to the Ethernet port on the back of the printer. Connect the other end of the cable to a correctly-configured network port.
3. Power on the printer.

For details on configuring connection settings, refer to the *System Administrator Guide* at [www.xerox.com/office/VLC620docs](http://www.xerox.com/office/VLC620docs).

## WIRELESS NETWORK ADAPTER WITH BLUETOOTH

The Xerox® Wireless Network Adapter enables you to use the Wireless Wizard to connect to a wireless network. The compatibility of the Wireless Network Adapter is dependent on the device model and software version.

The Xerox® Wireless Network Adapter supports the following:

- Wi-Fi Bands: Dual Band 2.4 GHz and 5 GHz
- Network Standards:
  - 802.11ac
  - 802.11n
  - 802.11b/a/g
- Wi-Fi Direct
- Bluetooth 5.0 to support iBeacon using Bluetooth Low Energy

For more information on the Wireless Network Adapter, refer to the *System Administrator Guide* at [www.xerox.com/office/VLC620docs](http://www.xerox.com/office/VLC620docs).

## Connecting to a Wireless Network

If you have purchased the Xerox® Wireless Network Adapter, you can use the Wireless Wizard to connect the device to a wireless network. If the device is connected to a wired network, you can configure wireless settings using the Embedded Web Server or at the control panel touch screen using the Wireless Install Wizard.



Note:

- Not all Xerox® Wireless Network Adapters are compatible with all Xerox® printers. Ensure that you purchase the correct Xerox® Wireless Network Adapter kit for your device. For more information, contact your Xerox representative.
- For more information about installing the wireless network adapter, refer to the Xerox® Wireless Network Adapter Kit *Hardware Install and Setup* instructions that are included with the kit.
- The device uses either the wireless or the wired network connection. Activating one network connection deactivates the other network connection.
- When you switch from a wired connection to a wireless connection, the IP address of the printer changes. For more information on IP address or host name, refer to *System Administrator Guide*.

For details on configuring wireless network settings, refer to the *System Administrator Guide* at [www.xerox.com/office/VLC620docs](http://www.xerox.com/office/VLC620docs).

## CONNECTING WITH WI-FI DIRECT

You can connect to your printer from any Wi-Fi-enabled mobile device, such as a tablet, computer, or smart phone, using Wi-Fi Direct or Soft AP features. The Wi-Fi Direct feature is disabled by default on the Xerox device.



Note: The Wi-Fi Direct feature is available only on printers with the optional Wireless Network Adapter installed. After you install the Wireless Network Adapter, the Wi-Fi Direct feature is enabled by default.

### Wi-Fi Direct Overview

The Wi-Fi Direct feature allows you to print from a mobile device to your printer, using one of the following methods.

- WPS push button, for Wi-Fi Direct-enabled Android devices with the Mopria print plug-in installed.
- Soft Access Point (AP), for Apple iPhones and other mobile devices that do not support the Wi-Fi Direct function.

For information about using the Wi-Fi Direct feature on your mobile device, or connecting to the printer using the Soft AP feature, refer the mobile device documentation from the manufacturer.

For information about configuring the Wi-Fi Direct feature on your printer, refer to the *System Administrator Guide* at [www.xerox.com/office/VLC620docs](http://www.xerox.com/office/VLC620docs).

### Using Wi-Fi Direct on Your Mobile Device

The Wi-Fi Direct WPS Push Button feature requires the Mopria Print Service App installed on your mobile device. The printer does not require a wireless connection.

#### Installing Mopria Print Service

1. On your mobile device, go to the Google Play Store, then search for **Mopria Print Service**.
2. Install the **Mopria Print Service** App.
3. Go to **Settings**, then touch **Printing**.
4. Go to the notification area, then touch **Mopria Print Service**.



5. To enable Mopria Print Service, touch **On**.
6. Exit **Settings**.

Your mobile device searches for Wi-Fi Direct-enabled printers that are in range of the mobile device.

### Using Wi-Fi Direct on your Printer

Wi-Fi Direct is a direct wireless connection from your mobile device to the printer. The Wi-Fi Direct feature is enabled by default when the Wi-Fi hardware is installed.

Using the Wi-Fi Direct feature does not require a wireless network connection to a printer. Contact your System Administrator to connect your printer to a wired or wireless network.

### Printing Using Wi-Fi Direct

To print a document from a Wi-Fi-enabled mobile device:

1. On the mobile device, open the document that you want to print.
2. In the device application, select the **Print** button.
3. If there is more than one printer in the area with Wi-Fi Direct enabled, select the required printer from the list.
4. Select the print settings required for the job.
5. Submit the job for printing.

A message appears on the mobile device.

6. Select **Connect**.

When the connection is made, a message appears on the printer.

7. At the printer control panel, touch **OK**.

The job prints.

## CONNECTING WITH NEAR FIELD COMMUNICATION (NFC)

### NFC Overview



Near field communication (NFC) is a technology that enables devices to communicate when they are in close range. NFC allows you to add a printer to your Android mobile device easily. After you add the printer, there is no need to use NFC on that printer. The NFC feature requires installation of the Xerox Print Service app on the mobile device.

Printers can communicate using NFC when they are within your mobile device range.



Note: The range can vary depending on the device manufacturer. For information about the required settings for individual mobile devices, refer the documentation supplied by the manufacturer of your mobile device.

For details about configuring NFC on your printer, refer to the *System Administrator Guide* at [www.xerox.com/office/VLC620docs](http://www.xerox.com/office/VLC620docs).

## Using NFC on your Mobile Device

The NFC feature requires installation of the Xerox Print Service app on the mobile device.

Your mobile device must use the same Wi-Fi network environment as the printer. The printer does not need to have a wireless connection.

 Note: NFC supports Android 4.4 or greater devices.

### Installing the Xerox Print Service Plugin

1. On your mobile device, go to the Google Play Store, then search for **Xerox Print Service Plugin**.
2. Install the **Xerox Print Service Plugin** app.
3. Go to **Settings**, then touch **Printing**.
4. Go to the notification pull-down bar, then touch **Xerox Print Service**.
5. To enable **Xerox Print Service**, touch **On**.
6. Exit **Settings**.

### Enabling NFC on the Mobile Device

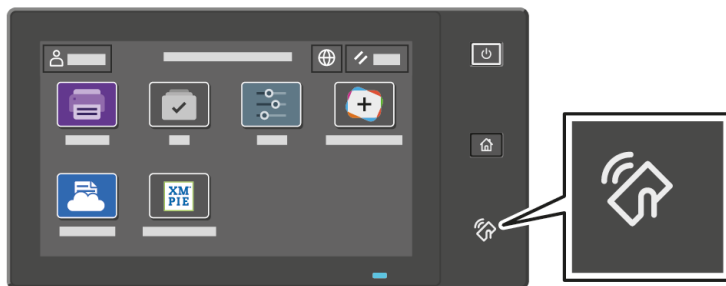
Most mobile devices have NFC disabled by default.

To enable NFC:

1. Go to **Settings**.
2. Go to the NFC setting, then touch **On**.
3. Exit **Settings**.

## Using NFC on your Printer

The NFC chip is on the bottom right of the control panel. When NFC is enabled, you can use the NFC function.



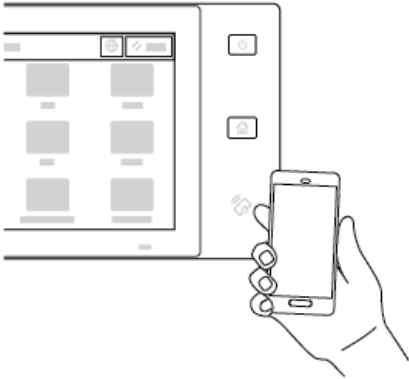
Refer to your mobile device user documentation for the mobile device NFC chip location.

 Note: The NFC function must be enabled before use. For NFC enable instructions, refer to the *System Administrator Guide* at [www.xerox.com/office/VLC620docs](http://www.xerox.com/office/VLC620docs).

### Mapping the Printer to your Mobile Device

1. Open the **Xerox Print Service Plugin**.

2. At the top right side of the screen, touch the selection button, then select **Add Printer**.
3. Touch the **NFC** option.
4. Hold the mobile device over the NFC icon on the control panel.



The mobile device and the printer communicate with each other. The mobile device searches the network for the printer. When the printer is located, it is added to the list as a mapped printer.

You can submit print jobs from your mobile device to the printer.

#### Printing using Xerox® Print Services

1. Open the document that you want to print. For example, a PDF or Word document.
2. At the top of the screen, select the **Print** button.
3. If there is more than one printer mapped for use with NFC, select the printer required.
4. Select the print settings required for the job.
5. Submit the job for printing.

#### CONFIGURING AIRPRINT

AirPrint is a software feature that allows you to print documents from Apple iOS-based mobile devices and MacOS-based devices without a print driver. AirPrint-enabled printers that use a wired or wireless connection allow you to print or fax directly from a Mac, an iPhone, iPad, or iPod Touch. Additionally, you can use AirPrint to scan from a wired or wireless printer to supported Apple devices.

For information about AirPrint configuration settings, refer to the *System Administrator Guide* at [www.xerox.com/office/VLC620docs](http://www.xerox.com/office/VLC620docs). Alternatively, use a desktop computer to access the Embedded Web Server for your device, then click the Help link that appears at the bottom of each page. For details, refer to [Accessing the Embedded Web Server](#).

#### CONFIGURING A DEVICE FOR UNIVERSAL PRINT

Universal Print is a cloud-based print protocol that provides a simple and secure print solution for Microsoft® 365 users. Universal Print allows administrators to manage printers without the need for on-premises print servers. Universal Print enables users to access cloud printers without the need for print drivers.

## Getting Started

- When Universal Print is enabled, the configuration settings appear. The Universal Print area displays the registration status of your device.
- When Universal Print is disabled, the configuration settings are hidden. The Universal Print area shows the status `OFF`. This status is the default.

For information about configuring a device for Universal Print, refer to the *System Administrator Guide* at [www.xerox.com/office/VLC620docs](http://www.xerox.com/office/VLC620docs).

## Initial Printer Setup

Before installing the printer software, verify that the printer is set up correctly. Setup includes enabling the optional features and assigning an IP address for the Ethernet network connection. Printer settings can be configured at the printer control panel or by using the Embedded Web Server. To configure settings at the printer control panel, the installation wizard starts the first time that you power on the printer. The wizard prompts you with a series of questions to help configure basic printer settings.

The System Administrator can configure the following settings:

- Language
- Backup & Restore Settings
- Network Connection
- Date and Time
- Measurements
- Security Settings

For more information on configuring the printer settings at the control panel or using the Embedded Web Server, refer to the *System Administrator Guide* at [www.xerox.com/office/VLC620docs](http://www.xerox.com/office/VLC620docs).

### SECURITY TEMPLATE

Security Template is a feature that allows you to quickly configure the security settings through **Install Wizard, Tools** in the control panel or from the **Security Dashboard** tab in the Embedded Web Server. You can choose one of the three preset templates, which are **Default, Elevated, and High**, according to your requirement.

For detailed instructions on how to configure Security Template, refer to the *System Administrator Guide* at [www.xerox.com/office/VLC620docs](http://www.xerox.com/office/VLC620docs).

### CONFIGURATION WATCHDOG

Configuration Watchdog is a security feature that monitors feature settings to ensure that the device stays in the appropriate configuration throughout day-to-day operations. The feature ensures that values remain compliant without external device monitoring. When a watched setting changes, Configuration Watchdog detects the change on the next manual or scheduled check. After a change is detected, Configuration Watchdog remediates the feature to the required settings.

After remediation occurs, administrators can view the list of remediated items on the Configuration Watchdog page.

For more information about Configuration Watchdog, contact your system administrator, or refer to the *System Administrator Guide* at [www.xerox.com/office/VLC620docs](http://www.xerox.com/office/VLC620docs).

### FLEET ORCHESTRATOR

The Fleet Orchestrator feature automatically allows you to configure many devices in similar ways. After you configure one device, you can distribute any of the configuration settings to other devices, as needed. You can set up schedules to share configuration settings regularly and automatically.

The Fleet Orchestrator feature enables you to share the following types of configuration files:

- Clone files
- Software upgrade files

For more information about Fleet Orchestrator, contact your system administrator, or refer to the *System Administrator Guide* at [www.xerox.com/office/VLC620docs](http://www.xerox.com/office/VLC620docs).

## XEROX® EASY ASSIST APPLICATION

Xerox Easy Assist application can assist you with the initial setup procedure for a new printer. You can access and configure the printer from your smartphone through the Xerox Easy Assist (XEA) app. To access the printer from your smartphone, download and install the Xerox Easy Assist app on your mobile device. By installing the Xerox Easy Assist app on your smartphone, you can setup your new printer easily, manage its configuration, view alerts indicating supply requirements and order them, and get live troubleshooting support for your printer.

The Xerox Easy Assist App has instructions and video links that help you to unpack the printer from its shipping box. To install the Xerox Easy Assist app on your smartphone, you need to scan a QR Code. You can find this QR Code on the packaging box or the *Installation Guide* that comes with the printer. To install the Xerox Easy Assist app for the first time, scan the QR Code with your smartphone camera.

For more information, refer to [Xerox® Easy Assist \(XEA\) App](#).

## Installing the Print Driver Software

Before you install the print driver software, verify that the printer is plugged in, powered on, connected correctly, and has a valid IP address. The IP address usually appears on the default Home screen of the control panel. If you cannot find the IP address of your printer, refer to [Finding the IP Address of Your Printer](#).



Note: If the *Software and Documentation* disc is not available, download the latest drivers from [www.xerox.com/office/VLC620drivers](http://www.xerox.com/office/VLC620drivers).

After you install the print driver software, you can configure printing preferences and default settings for the print driver. For more information, refer to [Printing](#).

Printing settings for the device, such as Page Description Language options, are configured using the Embedded Web Server. To configure printing settings, contact your System Administrator or refer to the *System Administrator Guide* at [www.xerox.com/office/VLC620docs](http://www.xerox.com/office/VLC620docs).

### OPERATING SYSTEM REQUIREMENTS

- Windows 10, Windows 11, Windows Server 2012, Windows Server 2016, Windows Server 2019, and Windows Server 2022.
- Macintosh OS version 11 and later.
- UNIX and Linux: Your printer supports connection to various UNIX platforms through the network interface.

### INSTALLING THE PRINT DRIVERS FOR A WINDOWS NETWORK PRINTER

1. Insert the *Software and Documentation disc* into the appropriate drive on your computer. If the installer does not start automatically, navigate to the drive, then double-click the **Setup.exe** installer file.



Note: If you do not have the *Software and Documentation disc*, download the Smart Start installer file from [www.xerox.com](http://www.xerox.com) or the Embedded Web Server of your printer. For more information, refer to [Downloading the Print Drivers from the Embedded Web Server](#).

2. Click **Xerox Smart Start — Driver Installer (Recommended)**.
3. At the License Agreement, click **Agree**.
4. From the list of discovered printers, select your printer.




Note: When you install print drivers for a network printer, if your printer does not appear in the list, click **Don't See Your Printer?** then enter the IP address for your printer. To install the recommended print driver, click **Continue**, then select **Install**.

5. Click **Quick Install**.  
A message appears that confirms that the installation is successful.
6. To complete the installation and close the Installer window, click **Done**.

## INSTALLING THE WINDOWS PRINT DRIVER .ZIP FILE

You can download print drivers from Xerox.com in a .zip file, then use the Windows Add Printer Wizard to install the print drivers on your computer.

To install the print driver from the .zip file:

1. Download, then extract the required .zip file to a local directory on your computer.
2. At your computer, open the **Control Panel**, then select **Devices and Printers > Add a Printer**.
3. Click **The printer that I want isn't listed**, then click **Add a local printer or network printer with manual settings**.
4. To use a previously established port, select **Use an existing port**, then from the list, select a Standard TCP/IP Port.
5. To create a Standard TCP/IP port:
  - a. Select **Create a New Port**.
  - b. For Type of port, select **Standard TCP/IP Port**, then click **Next**.
  - c. In the Hostname or IP address field, type the printer IP address or host name.
  - d. To disable the feature, clear the check box for **Query the printer and automatically select the driver to use**, then click **Next**.
6. Click **Have Disk**.
7. Click **Browse**. Browse to the extracted files in the local directory, then select the driver.inf file for your printer. Click **Open**.
8. Select your printer model, then click **Next**.
9. If a prompt appears because the print driver was installed previously, click **Use the driver that is currently installed (recommended)**.
10. In the Printer name field, type a name for your printer.
11. To install the print driver, click **Next**.
12. If needed, set the printer as the default printer.  
 Note: Before you select **Share Printer**, contact your system administrator.
13. To send a test page to the printer, click **Print a test page**.
14. Click **Finish**.

## INSTALLING THE PRINT DRIVERS FOR A WINDOWS USB PRINTER

1. Connect the B end of a standard A/B USB 2.0 or USB 3.0 cable to the USB Port on the back of the printer.
2. Connect the A end of the USB cable to the USB port on the computer.
3. If the Windows Found New Hardware Wizard appears, click **Cancel**.



4. Insert the *Software and Documentation disc* into the appropriate drive on your computer. If the installer does not start automatically, navigate to the drive, then double-click the **Setup.exe** installer file.



Note: If you do not have the *Software and Documentation disc*, download the Smart Start installer file from [www.xerox.com](http://www.xerox.com) or the Embedded Web Server of your printer. For more information, refer to [Downloading the Print Drivers from the Embedded Web Server](#).

5. Click **Xerox Smart Start — Driver Installer (Recommended)**.
6. At the License Agreement, click **Agree**.
7. For Windows PC, the print driver package is not always required to be installed to create the print queue. Refer to the following options:
  - Windows checks if the print driver package is installed in the PC already. If a compatible print driver is available in the PC, it is used to create the USB print queue.
  - Windows checks the Windows Update for a compatible print driver. If a compatible driver is present, then it downloads the print driver and creates the USB print queue with it.
  - If the print driver update is blocked from Windows Update and no compatible driver is available on the PC, then Windows creates the USB print queue with the inbox Microsoft IPP Class Driver.

## INSTALLING THE PRINTER AS A WEB SERVICE ON DEVICES

Web Services on Devices (WSD) allows a client to discover and access a remote device and its associated services across a network. WSD supports device discovery, control, and use.

### Installing a WSD Printer Using the Add Device Wizard

1. At your computer, click **Start**, then select **Printers and Scanners**.
2. To add the required printer, click **Add a Printer or Scanner**.
3. In the list of available devices, select the device that you want to use, then click **Next**.



Note: If the printer that you want to use does not appear in the list, click **Cancel**. To add the printer manually, use the IP address of the printer. For details, refer to [Installing the Windows Print Driver .zip File](#).

4. Click **Close**.

## INSTALLING THE DRIVERS AND UTILITIES FOR MACINTOSH OS (MACOS)

1. Download the latest print driver from [www.xerox.com/office/MLC620support](http://www.xerox.com/office/MLC620support).
2. Open the Xerox® Print Drivers 5.xx.x.dmg or .pkg as needed for your printer.
3. To run Xerox® Print Drivers 5.xx.x.dmg or .pkg, double-click the appropriate file name.
4. When prompted, click **Continue**.
5. To accept the license agreement, click **I Agree**.
6. To accept the current installation location, click **Install**, or select another location for the installation files, then click **Install**.
7. If prompted, enter your password, then click **OK**.

8. From the list of discovered printers, select your printer, then click **Next**.
9. If your printer does not appear in the list of discovered printers:
  - a. Click the **Network Printer Icon**.
  - b. Type the IP address of your printer, then click **Continue**.
  - c. Select your printer in the list of discovered printers, then click **Continue**.
10. If your printer was not detected, verify that the printer is powered on and that the Ethernet or USB cable is connected properly.
11. To accept the print queue message, click **OK**.
12. Select or clear the **Set Printer as Default** and **Print a Test Page** check boxes.
13. Click **Continue**, then click **Close**.

### Adding the Printer for MacOS

For networking, set up your printer using Bonjour® (mDNS), or for an LPD, LPR connection, connect using the IP address of your printer. For a non-network printer, create a desktop USB connection.

For more information, go to the Online Support Assistant at: [www.xerox.com/office/VLC620support](http://www.xerox.com/office/VLC620support).

### Adding the Printer Using Bonjour

To add the printer using Bonjour®:

1. From the computer Applications folder or from the dock, open **System Preferences**.
2. Click **Printers & Scanners**.

The list of printers appears on the left of the window.
3. For the list of printers, click the Plus icon (+).
4. At the top of the window, click the **Default** icon.
5. Select your printer from the list, then click **Add**.



Note: If your printer is not detected, verify that the printer is powered on and that the Ethernet cable is connected properly.

### Adding the Printer by Specifying the IP Address

To add the printer by specifying the IP address:

1. From the computer Applications folder or from the dock, open **System Preferences**.
2. Click **Printers & Scanners**.

The list of printers appears on the left of the window.
3. In the list of printers, click the Plus (+) icon.
4. Click **IP**.
5. From the Protocol list, select the protocol.
6. In the Address field, enter the IP address of the printer.

7. In the Name field, enter a name for the printer.
8. From the Use list, choose **Select a driver to use**.
9. From the printer software list, select the print driver for your printer model.
10. Click **Add**.

#### INSTALLING PRINT DRIVERS AND UTILITIES FOR UNIX AND LINUX PRINTING

To provide printer spooling and network print server functionality, UNIX-based printing uses LPD/LPR port 515 or lp to port 9100. For information about UNIX-based printing, refer to [UNIX, Linux, and AS/400 Printing](#).

For more information on installing print drivers and utilities for UNIX and Linux, refer to [www.xerox.com/office/VLC620drivers](http://www.xerox.com/office/VLC620drivers).

## More Information

You can obtain more information about your printer from these sources:

RESOURCE	LOCATION
Installation Guide	Packaged with the printer.
Getting Started guide	Print from the control panel. For details, refer to <a href="#">Information Pages</a> .
Other documentation for your printer	<a href="http://www.xerox.com/office/VLC620docs">www.xerox.com/office/VLC620docs</a>
Recommended Media List	United States: <a href="http://www.xerox.com/rmlna">www.xerox.com/rmlna</a> European Union: <a href="http://www.xerox.com/rmleu">www.xerox.com/rmleu</a>
Technical support information for your printer, including online technical support, Online Support Assistant, and print driver downloads.	<a href="http://www.xerox.com/office/VLC620support">www.xerox.com/office/VLC620support</a>
Information Pages	Print from the control panel. For details, refer to <a href="#">Information Pages</a> .
Embedded Web Server information	In the Embedded Web Server, click <b>Help</b> .
Order supplies for your printer	<a href="http://www.xerox.com/office/supplies">www.xerox.com/office/supplies</a>
A resource for tools and information, including interactive tutorials, printing templates, helpful tips, and customized features to meet your individual needs.	<a href="http://www.xerox.com/office/businessresourcecenter">www.xerox.com/office/businessresourcecenter</a>
Local sales and Technical Customer Support	<a href="http://www.xerox.com/office/worldcontacts">www.xerox.com/office/worldcontacts</a>
Printer registration	<a href="http://www.xerox.com/register">www.xerox.com/register</a>
Xerox® Direct online store	<a href="http://www.direct.xerox.com/">www.direct.xerox.com/</a>

### LOCATING THE SERIAL NUMBER

When you order supplies or contact Xerox for assistance, you need the serial number of your device. You can obtain the serial number in several ways. To locate the serial number, print a configuration report, or view the serial number on the control panel or on the Embedded Web Server home page. The serial number is printed on a label that is affixed to the printer. To view the label, open Door A.

For details on how to print a configuration report, refer to [Information Pages](#).

To view the serial number on the control panel:

1. At the printer control panel, press the **Home** button.
2. Touch **Device > About**.  
The model, serial number, and software version is displayed.
3. To return to the Home screen, press the **Home** button.

# Accessibility

This chapter contains:

Invert Display Color .....	70
Zoom.....	71
Using the Keyboard.....	72
Speech Output (Test Drive) .....	73

## Invert Display Color

Invert Display Color allows you to invert the colors of the control panel display.

1. At the device control panel, press the **Home** button.
2. Touch **Device > Accessibility**.  
A new window appears for Accessibility.
3. To invert the display color of the control panel screen, touch the **Invert Display Color** toggle button.
4. Touch **OK**.

The inversion of the display color only applies to individual users during their session. Inversion of the display color gets cleared when:

- The user changes it back.
- The current session ends.
- User does a **Reset All**.

To change the default settings, refer to *System Administrator Guide* at [www.xerox.com/office/VLC620docs](http://www.xerox.com/office/VLC620docs).

## Zoom

Zoom allows you to zoom the control panel display up to 500% magnification. You can zoom the screen using the following ways:

1. In the control panel screen, you can use gestures with your fingers to zoom in and out. Use the spread gesture to zoom in (spreading two fingers) or the pinch gesture to zoom out the display.
2. Using keyboard, press **Ctrl** and **+** (plus) at the same time for zoom in and **Ctrl** and **-** (minus) at the same time for zoom out.

You can pan to access the content by swiping in the required direction.



Note: When the session ends, the screen will automatically reset back to its original display size.

## Using the Keyboard

To enable keyboard navigation on the device, connect a supported USB keyboard into the USB port and press the **Tab** key to initiate keyboard navigation.

Once you start navigating the user interface with the keyboard, a focus indicator will be displayed showing which component is in focus.

Keyboard navigation ends and the focus indicator will be cleared when:

- The user changes it back.
- The current session ends.
- User does a **Reset All**.



Note:

- Only operable components will gain focus.
- Components that are not operable do not receive focus.
- Keyboard navigation is compatible with Speech Output.
- Keyboard operability is not supported for some screens and third-party apps.

### NAVIGATING THE SCREEN USING THE KEYBOARD

KEY	FUNCTION
<b>Tab</b>	Navigate to next operable component.
<b>Shift + Tab</b>	Navigate to previous operable component.
<b>Enter or Spacebar</b>	Activate focused button, feature rows, select an option or a collapse menu, or activate slider.
<b>Esc</b>	Collapse menu, close dialog, or dismiss notifications.
<b>Arrows</b>	Navigate feature rows, options in a menu, table rows, items within a row, increase decrease slider value once activated.
<b>Home</b>	<ul style="list-style-type: none"> <li>• Goes to Home screen.</li> <li>• If a slider is in focus, moves the slider to its lowest value.</li> </ul>
<b>End</b>	If a slider is in focus, moves the slider to its highest value.



## Speech Output (Test Drive)

Speech output is supported as a Test Drive feature for native applications on the Home screen. Speech output reads the contents of operable components aloud through the device's speaker while navigating with a USB keyboard connected to the device.



Note: Be aware of your surroundings when using speech output, as all information except masked passwords will be read aloud. For example, log in name, job names, the device's IP address if it is displayed on the Home screen, and so on.



Note: Speech output is not supported for some screens and third-party apps.

There are two ways to turn Speech Output On or Off:

1. Press **Ctrl** and **5** at the same time to turn Speech Output On or Off.
2. At the device control panel, press the **Home** button. Touch **Device > Accessibility**. Turn **Speech Output (Test Drive)** On or Off.

The user can adjust the volume of speech output, the pitch, and the speech rate in **Device > Accessibility**.

Speech output supports the following languages:

- English (US)
- English (International)
- French
- Italian
- Spanish
- German

Speech output only applies to individual users during their session. Speech output is turned off automatically when:

- The user changes it back.
- The current session ends.
- User does a **Reset All**.



# Personalize

This chapter contains:

Personalize Overview .....	76
Personalization by the User.....	77
Personalization from Adaptive Learning .....	80
Removing All Personalizations.....	81

## Personalize Overview

This chapter provides information on how to personalize your device user interface to meet the specific demands of your workflows.

Personalization enables individual logged-in users to work more productively, and ensures that the features and functions displayed meet individual user needs. Personalization allows you to hide, show, and rearrange apps on the Home screen to suit your job priorities.

The device uses the Adaptive Learning functionality to analyse the apps and features used when you are logged in to the device. The device provides personalized workflow suggestions based on your activity. As an individual user, you can choose the types of Adaptive Learning suggestions that you receive. You can enable or disable your suggestion options at the device control panel.

System administrators can use the Customization feature to configure settings for all users. Customization allows the system administrator to do the following:

- Hide, show, and rearrange apps on the Home screen
- Configure and save the default settings

For details, contact your system administrator, or refer to the *System Administrator Guide* at [www.xerox.com/office/VLC620docs](http://www.xerox.com/office/VLC620docs).



Note: Personalization settings configured by individual users override any equivalent Customization settings configured by the system administrator.

## Personalization by the User

### PERSONALIZING THE HOME SCREEN

Using the personalization options, you can show, hide, or change the display order of apps for the Home screen.

#### Displaying or Hiding an App on the Home screen

To display or hide an app on the Home screen for the logged-in user:

1. At the printer control panel, press the **Home** button.
2. Touch **Log In**. Type the User Name using the keypad, then touch **Next**. Type the Password using the keypad, then touch **Done**.
3. Scroll to the bottom, then touch **Personalize**.
4. Touch **Personalize Home**.
5. To display an installed, but hidden app:
  - a. Touch the **Plus (+)** icon.
  - b. Touch the app that you want to appear on the control panel.
6. To hide an installed app:
  - a. For the required app, touch **X**.
  - b. Touch **Hide**.
7. Touch **Done**.
8. Verify that only the required apps appear on the Home screen.

#### Rearranging Apps on the Home screen

To rearrange apps on the Home screen for the logged-in user:

1. At the printer control panel, press the **Home** button.
2. Touch **Log In**. Type the User Name using the keypad, then touch **Next**. Type the Password using the keypad, then touch **Done**.
3. Scroll to the bottom, then touch **Personalize**.
4. Touch **Personalize Home**.
5. Touch and hold the required app, then drag the app to the new location. Release the app.
6. Touch **Done**.
7. Verify that the apps appear in the correct location on the Home screen.

#### Deleting an App from the Home Screen

To delete an app from the Home screen for the logged-in user:

1. At the printer control panel, press the **Home** button.

2. Touch **Log In**. Type the User Name using the keypad, then touch **Next**. Type the Password using the keypad, then touch **Done**.
3. Scroll to the bottom, then touch **Personalize**.
4. Touch **Personalize Home**.
5. To delete an installed app:
  - a. For the required app, touch **X**.
  - b. At the prompt, touch **Delete**.
6. Touch **Done**.
7. Verify that only the required apps appear on the Home screen.

### Removing Personalization From the Home Screen

To remove personalization from the Home screen for the logged-in user:

1. At the printer control panel, press the **Home** button.
2. Touch **Log In**. Type the User Name using the keypad, then touch **Next**. Type the Password using the keypad, then touch **Done**.
3. Scroll to the bottom, then touch **Personalize**.
4. Select an option:
  - **Remove Home Personalization:** This option removes all personalization from the Home screen.

**Warning:** The Remove Home Personalization option removes personalization from the Home screen, and other personalized device settings.

- **Remove All Personalization:** This option removes all personalization for the logged-in user, including personalized 1-Touch apps.



Note: Any customizations configured by the system administrator, including 1-Touch, EIP, Single Touch, and Weblet apps, are not affected.

5. At the prompt, touch **Remove**.  
Apps appear in the default location on the Home screen.
6. Touch **Done**.

### PERSONALIZING ENTRY SCREEN DEFAULTS

Use the **Entry Screen Defaults** option to set the screen defaults or actions when a user logs in to the device for the first time. You can personalize the **Device Default App** option. The Device Default App is the initial app that appears to a logged-in user, or when the device is reset to default settings.

If a selected app is no longer available, a notification displays and the entry screen defaults return to the factory default settings.

### Setting the Device Default App

To set the device default app for the logged-in user:

1. At the printer control panel, press the **Home** button.
2. Touch **Log In**. Type the user name using the keypad, then touch **Next**. Type the password using the keypad, then touch **Done**.
3. Touch **Personalize**.
4. Touch **Entry Screen Defaults**.
5. Touch **Device Default App**.
6. Touch the required app.
7. Touch **OK**.

### REMOVING APP PERSONALIZATION USING THE CONTROL PANEL

To remove the current app personalization settings:

1. At the printer control panel, press the **Home** button.
2. Touch **Log In**. Type the user name using the keypad, then touch **Next**. Type the password using the keypad, then touch **Done**.
3. Touch the app required.
4. Scroll to the bottom of the feature list, then touch **Personalize**.
5. Touch **Remove App Personalization**.
6. At the prompt, touch **Remove**.

### PERSONALIZING THE LANGUAGE

A logged-in user can personalize the default language settings and the default keyboard layout.

Each time the user logs in to the device, the selected language and keyboard settings are activated.

To personalize the default language and keyboard layout:

1. At the printer control panel, press the **Home** button.
2. Touch **Log In**. Type the user name using the keypad, then touch **Next**. Type the password using the keypad, then touch **Done**.
3. Touch **Log In**, then touch **Personalize Language**.
4. To change the language, touch the language required.
5. To change the keyboard layout, touch **Keyboard Layout**, then touch the option required.
6. Touch **Done**.

## Personalization from Adaptive Learning

Adaptive Learning reacts to everyday usage of the device to streamline tasks for users and administrators. Adaptive Learning provides personalized workflow suggestions for a logged-in user based on their use of certain applications. An individual user can choose the types of suggestions that they receive. Individual users can enable and disable their personalized suggestion options at the device control panel.

Adaptive Learning personalization offers workflow-automation suggestions to help logged-in users streamline their workflow. Personalized app workflow suggestions include language preference settings.

Adaptive Learning personalization is enabled by default. When Adaptive Learning personalization is enabled, all personalization suggestion options for logged-in users are enabled by default. When Adaptive Learning personalization is enabled, logged-in users can manage their personalization suggestions at the control panel.

### PERSONALIZED LANGUAGE SUGGESTIONS

When Adaptive Learning and Personalization are enabled, if a logged-in user selects a different language, the device offers to change the language immediately after the user changes the current language.

To personalize the language from a suggestion screen:

1. At the printer control panel, press the **Home** button.
2. Touch **Log In**. Type the user name using the keypad, then touch **Next**. Type the password using the keypad, then touch **Done**.
3. If the logged-in user changed the language in the previous session, a suggestion screen appears. To accept the offer to change your default language, touch **Make Default**.

The default language for the logged-in user is changed.

### MANAGING YOUR PERSONALIZATION SUGGESTIONS

When Adaptive Learning and Personalization are enabled, the device provides suggestions for an improved user experience at the device.

To manage your personalization suggestions:

1. At the printer control panel, press the **Home** button.
2. Touch **Log In**. Type the user name using the keypad, then touch **Next**. Type the password using the keypad, then touch **Done**.
3. Touch **Log In**, then touch **Manage Suggestions**.  
Alternatively, you can access the **Manage Suggestions** option from each suggestion screen.
4. Touch **Language** to receive a suggestion to change the language when a different language is selected.
5. Touch **OK**.



## Removing All Personalizations

To remove all personalizations from the device:

1. At the printer control panel, press the **Home** button.
2. Touch **Log In**. Type the User Name using the keypad, then touch **Next**. Type the Password using the keypad, then touch **Done**.
3. Scroll to the bottom, then touch **Personalize**.
4. Touch **Remove All Personalizations**.

**Warning:** The Remove Home Personalization option removes personalization from the Home screen, and other personalized device settings.

5. At the prompt, touch **Remove All**.

Personalize

# Xerox® Apps

This chapter contains:

Xerox® App Gallery.....	84
Device .....	87
Jobs .....	98
Print From.....	105
@PrintByXerox.....	108
Xerox® Connect for XMPie .....	109

Xerox® Apps are a gateway to the features and functions of your device. There are standard Apps already installed and displayed on the Home screen. Some Apps are installed as standard, but are hidden when you use your device for the first time. You can show, hide, or reorder Apps on the Home screen using the settings available in the Embedded Web Server.

For details about displaying, configuring, and customizing the Apps, refer to the *System Administrator Guide* at [www.xerox.com/office/VLC620docs](http://www.xerox.com/office/VLC620docs).

A range of Apps is available for download and installation from the Xerox® App Gallery. These apps include Xerox Extensible Interface Platform® (EIP) Apps. EIP Apps enable you to install secure, signed apps on compatible printers.

For more information about using the Xerox® App Gallery and downloading Apps, refer to [Xerox® App Gallery](#).

## Xerox® App Gallery

### XEROX® APP GALLERY OVERVIEW



Use the Xerox® App Gallery to find apps that provide new features or capabilities for your device. The Xerox® App Gallery provides direct access to apps that can improve your productivity, simplify workflows, and enhance your user experience.

The Xerox® App Gallery enables you to browse and update apps easily. You can browse the App Gallery without logging in. The moving banner provides an active display of apps, or you can scroll the full list of apps. To get more details on an app, touch the app name in the list.

To use the Xerox® App Gallery App, ensure that your device uses either the wireless or the wired network connection.



Note: If your device is configured to access the Internet through a proxy, to allow the Xerox® App Gallery App to access the Internet, ensure that the proxy is configured correctly.

For more information and instructions on using the Xerox® App Gallery, refer to the *Xerox® App Gallery User Guide* available at [www.xerox.com/XeroxAppGallery](http://www.xerox.com/XeroxAppGallery).

If authentication or accounting is enabled on your device, to access features, enter your login details. For details about Personalization for logged-in users, refer to [Personalize](#).

### CREATING A XEROX® APP GALLERY ACCOUNT

With an App Gallery account, you have direct access to all the available Apps for your device. An App Gallery account allows you to view and acquire Apps, install Apps on your device, and manage your Apps and licenses.

You can set up an App Gallery account using the control panel or the Xerox® App Gallery Web portal. For more information about the Xerox® App Gallery Web portal, refer to [www.xerox.com/XeroxAppGallery](http://www.xerox.com/XeroxAppGallery).



Note: If you have an existing Xerox App Gallery Account, refer to [Logging in to your Xerox® App Gallery Account](#).

To create an App Gallery account using the Control Panel:

1. At the printer control panel, press the **Home** button.
2. Touch **Xerox App Gallery**.
3. Touch **Log In**.
4. Touch **Create Account**.

5. Enter the information required into the appropriate fields:
  - Email Address
  - Confirm Email Address
  - Password
  - Confirm Password
  - First and Last Name
  - Company Name
  - Country
  - Payment Currency
6. Review and accept the Terms of Service and the Data Administration Terms of Service, then click **OK**.
7. After the account is created, a message appears that confirms that completion instructions will be sent to the email address entered in step 5.
8. To complete the account creation process, verify your account:
  - a. Access the inbox for the email address provided in step 5, then open the *Welcome to Xerox® App Gallery* email.
  - b. Click **Verify Account**.  
A webpage opens.
  - c. To complete the verification process, enter the email address and password entered in step 5, then click **Log In**.  
A welcome message appears that confirms that the account verification process is complete.

## LOGGING IN TO YOUR XEROX® APP GALLERY ACCOUNT

When you are logged in to the App Gallery, you can browse available Apps, and install and update Apps.

To log in to your App Gallery Account:

1. At the printer control panel, press the **Home** button.
2. Touch **Xerox App Gallery**, then select **Log In**.
3. To enter your email address, use the touch screen keypad.
4. To enter your password, use the touch screen keypad.
5. To log in, touch **OK** or **Enter**.

## INSTALLING OR UPDATING AN APP FROM THE XEROX® APP GALLERY

Xerox® Apps add to, extend, or customize the functionality of your device. You can use the Xerox® App Gallery App to browse and install Apps at your device control panel.

To install an App from the App Gallery:

1. At the printer control panel, press the **Home** button.

2. Touch **Xerox App Gallery**, then select **Log In**.
3. To enter your email address, use the touch screen keypad.
4. To enter your password, use the touch screen keypad.
5. Touch **OK** or **Enter**.
6. Touch the App required, then touch **Install**. The License Agreement screen appears.



Note: If the App was installed previously and a new version is available, the **Install** option changes to an **Update** option.

7. Touch **Agree**. The installation process begins.

If the App does not successfully install, to attempt the installation process again, touch **Install**.

8. To exit the Xerox® App Gallery App, press the **Home** button.

### Updating an App from the App Gallery

1. At the printer control panel, press the **Home** button.
2. Touch **Xerox App Gallery**, then select **Log In**.
3. To enter your email address, use the touch screen keypad.
4. To enter your password, use the touch screen keypad.
5. Touch **OK** or **Enter**.
6. Touch the App required, then touch **Update**. The License Agreement screen appears.
7. Touch **Agree**.
8. When the update is complete, the Update option changes to an Installed status.
9. To exit the Xerox® App Gallery App, press the **Home** button.

## Device

### DEVICE OVERVIEW




















The Device App gives you access to information about your printer, including the serial number and model. You can view the status of the paper trays, billing and supplies information, and print information pages.

Many Device options can be configured to meet your individual needs. For details about configuring all of the Device settings, refer to the *System Administrator Guide* at [www.xerox.com/office/VLC620docs](http://www.xerox.com/office/VLC620docs).

### Device Options

The following device options are available:

OPTION		DESCRIPTION
	Admin Personalization Settings	For logged-in users, Personalization Settings provides access to the <b>Personalized Language</b> and <b>Manage Suggestions</b> options. For more information about Personalization settings, refer to <a href="#">Personalize</a> .
	Language	Pressing the Language button allows you to set the language that appears on the control panel touch screen.   Note: Sometimes this option is hidden from view. For details, refer to <i>System Administrator Guide</i> at <a href="http://www.xerox.com/office/VLC620docs">www.xerox.com/office/VLC620docs</a> .
	Accessibility	Pressing Accessibility allows you to access the <b>Invert Display Color</b> feature, that changes the appearance of the control panel touch screen. For more information, refer to <a href="#">Accessibility</a> .
	About	The About option provides an overview of your device, the device serial number, and information about current settings.
	Information Pages	Your printer has a set of information pages that you can print. These pages include configuration and font information, demonstration pages, and more.
	Notifications	Use the Notifications option to see details of any current alerts or errors on the device. A Fault History option displays fault codes and the date that they occurred on the device.
	Paper Trays	Use the Paper Trays option to see the paper size, type, and color set for each paper tray and the tray-capacity status.
	Supplies	Use the Supplies section to monitor the status of the components you can replace. The supply level and estimated number of impressions or days that remain for each unit are displayed.

OPTION		DESCRIPTION
	Billing/Usage	Use the Billing/Usage option to view the serial number and the total number of impressions your device has made.
	Tools	<p>Use the Tools option to customize settings, such as the power-save modes, the date and time, and the control panel brightness. You can configure settings using the device control panel or the Embedded Web Server.</p> <p> Note: For details on configuring the printer settings, refer to <i>System Administrator Guide</i> at <a href="http://www.xerox.com/office/VLC620docs">www.xerox.com/office/VLC620docs</a>.</p>
	Web-Based Configuration (Test Drive)	<p>Use the Web-Based Configuration (Test Drive) tool to access device capabilities and configuration options available on the Embedded Web Server, at the device control panel.</p> <p> Note: Some Embedded Web Server configuration options and features are restricted. Examples of restricted options and features are downloading and installing files, and accessing links that redirect to external websites.</p>
	Remote Services	<p>Use the Remote Services option to send error and usage information to the Xerox support team.</p> <p> Note: Your System Administrator is required to enable this feature using the Embedded Web Server.</p>
	Xerox Easy Assist App	<p>Use the Xerox Easy Assist app to access and configure the printer from your smartphone. By installing the Xerox Easy Assist app on your smartphone, you can setup your new printer easily, manage its configuration, view alerts indicating supply requirements and order them, and get live troubleshooting support for your printer.</p> <p>For more information, refer to <a href="#">Xerox® Easy Assist (XEA) App</a>.</p>

For details on configuring the printer settings, refer to the *System Administrator Guide* at [www.xerox.com/office/VLC620docs](http://www.xerox.com/office/VLC620docs).

## ABOUT

The About option provides an overview of your device and its current settings and status. You can view the serial number, model number, and software version.

## INFORMATION PAGES

Your printer has a set of information pages that you can print. These pages include configuration and font information, getting started pages, and more.

The following Information Pages are available:



NAME	DESCRIPTION
Basic Configuration Report	The Basic Configuration Report provides printer information, including the serial number, installed options, network settings, port setup, tray information, and more.
Detailed Configuration Report	The Detailed Configuration Report provides information about all of the printer settings, including extensible services setup, security and authentication server configuration, connectivity settings, and more.
Billing Summary	The Billing Summary Report provides information about the device and a detailed listing of the billing meters and sheet counts.
Getting Started	The <i>Getting Started</i> guide provides an overview of the key features of the printer.
Troubleshooting Print Quality Page	The Troubleshooting Print Quality Page provides a list of common print-quality problems and tips to help solve them.
Supplies Usage Page	The Supplies Usage Page provides coverage information and part numbers for reordering supplies.
Graphics Demo Page	Print this page to check the quality of graphics.
PCL Font List	The PCL Font List provides a printout of all PCL fonts that are available on the printer.
PostScript Font List	The PostScript Font List provides a printout of all PostScript fonts that are available on the printer.

### Printing Information Pages

1. At the printer control panel, press the **Home** button.
2. Touch **Device > Information Pages**.
3. To print an information page, touch the needed page, then touch **Print**.  
The printer prints the selected information page.
4. To return to the Home screen, press the **Home** button.

### SUPPLY STATUS

You can check the status and percentage of life remaining for your printer supplies at the control panel or from the Embedded Web Server. When printer supplies near their replacement time, warning alerts appear on the control panel. You can customize the alerts that appear on the control panel and configure email alert notifications.

To check the supplies status at the control panel:

1. To view status information for the printer supplies, touch **Device > Supplies**.

2. To view details about a specific toner cartridge, including the part number for reordering, touch **Cyan, Magenta, Yellow, or Black**.
3. To view more details, touch **Other Supplies**. Scroll through the list, then select an option.
4. To print the Supplies Usage Page, touch **Print Supplies Report**.
5. To return to the Supplies screen, touch **X**.
6. To return to the Device screen, touch **X**.
7. To return to the Home screen, press the **Home** button.

To check the supplies status and set up alerts, use the Embedded Web Server. For details about configuring all Device settings, refer to the *System Administrator Guide* at [www.xerox.com/office/VLC620docs](http://www.xerox.com/office/VLC620docs).

## BILLING AND USAGE COUNTERS

The Billing/Usage menu displays the total number of impressions that the printer generated or printed during its lifetime. You cannot reset the counters. A page is counted as one side of a sheet of paper. For example, a sheet of paper that is printed on two sides counts as two impressions.

To view the Billing and Usage Counters:

1. At the printer control panel, press the **Home** button.
2. Touch **Device > Billing/Usage**.

The impression counts are displayed:

- **Black Impressions:** Total number of pages printed with no color specified.
  - **Color Impressions:** Total number of pages printed that specify color.
  - **Total Impressions:** Total number of color impressions and black impressions.
3. To view more details, touch **Usage Counters**, then select an option.
    - **Impression Counters:** This option provides the number of impressions made by the printer. The number of impressions cannot equal the number of sheets counted, depending on the printer setup. If your printer is set up to count large sheets as large impressions or as multiple smaller impressions, the number of impressions can differ.
    - **Sheet Counters:** This option provides the number of impressions made by the printer. Impressions for 2-Sided sheets are identified as a separate line from 1-Sided sheets.
    - **All Usage Counters:** This option provides all printer usage information.
  4. After viewing the usage readings, to return to the Home screen, press the **Home** button.

## REMOTE SERVICES

You can use the Remote Services option to send error and usage information to the Xerox support team to help them resolve problems quickly.

For information about enabling Remote Services and uploading information to Xerox, refer to the *System Administrator Guide* at [www.xerox.com/office/VLC620docs](http://www.xerox.com/office/VLC620docs).

## XEROX® EASY ASSIST (XEA) APP

Xerox Easy Assist app allows you to access and configure the printer from your smartphone. To access the printer from your smartphone, download and install the Xerox Easy Assist app on your mobile device. By installing the Xerox Easy Assist app on your smartphone, you can set up your new printer easily, manage its configuration, view alerts indicating supply requirements and order them, and get live troubleshooting support for your printer.

To install the Xerox Easy Assist app on your smartphone, you need to scan a QR Code or search the app in the Apple App Store or Google Play Store. There are two types of XEA QR Codes:

- **QR Code to acquire the XEA app:** This QR Code is for the initial installation of the app. To install the Xerox Easy Assist app for the first time, you are required to scan this QR Code using your smartphone camera. You can find this QR Code on the packaging box or the *Installation Guide* that comes with the printer.
- **QR Code to connect the mobile device to the printer:** This QR Code is to set up a wireless network connection between the smartphone and the printer. For example, connection to Wi-Fi Direct. For the printers with touchscreen User Interface, you can find this QR Code at the control panel of the printer within the device Install Wizard. The QR Code provides all key information to connect your smartphone and the printer without manually entering any technical information. To connect to the printer, scan this QR Code within the Xerox Easy Assist app. For more information, refer to [After Initial Installation: Connecting to the Xerox® Easy Assist App from the Control Panel](#).

If the printer has Internet connection, then you can connect to the XEA app in your smartphone by typing the IP address of the printer.

Primary features of Xerox Easy Assist app are:

### Set Up a New Printer

If you have the QR Code or IP Address available, you can set up a new Xerox printer with the help of Xerox Easy Assist app. On My Printers screen in the app, touch the **+** icon, then touch **Unbox a New Printer**. Follow the instructions from the app.

For more information, refer to [Adding Multiple Printers to the Xerox Easy Assist App](#).

### Alerts

The Xerox Easy Assist app can notify you of any errors or problems in the printer. To view the error statement, touch the **Bell** icon.

### Printer Status

The status displays the printer information, such as readiness of the printer, toner level, and paper tray status for each tray. To view additional information regarding Printer Status, touch the **(i)** icon. When you have a registered supplier, to reorder a new toner, select the **Toner** icon, then touch **Reorder**.

### Order Supplies

You can order parts and supplies through the Xerox Easy Assist app. If the toner level appears to be low, to order a new toner, select **Order Supplies**. You can add your own supply provider and order supplies from them. When you touch **Order Supplies**, if a custom supplier is not added in the app, then a prompt appears for you to set up a supplier. From the prompt, touch **Add Supplier**, then follow the instructions. The instructions takes you to **Device Settings > Supplier Profile**. In the Supplier Profile page, fill up the details of your supplier, such as Name, Contact Information, Phone Number, and Website URL. After you complete setting up your custom supply provider, touch **Buy**. It takes you to the web page of your supply provider.

**Xerox Retail Store** is your default option to order supplies directly from Xerox. Also, in the Order Supplies page,

you can view the Supplies Plan and Supplies Log of your printer.

## Scan



Note: The Scan feature is applicable for Multifunction Printers only.

You can perform a scan job through the Xerox Easy Assist app. When you have your document placed on the document glass or in the automatic document feeder of the printer, use the Xerox Easy Assist app to scan the document and send it to your phone or email address, directly. In the app, select your printer, then touch **Scan**. You can confirm the following scan settings according to your printer.

- For Output:
  - **File Name:** You can change the default file name of your scanned document.
  - **Format:** You can select the output format to be PDF or JPG.
  - **Resolution:** You can choose a resolution setting as supported by your printer. The default is 300 dpi.
  - **Color:** You can choose your scanned output to be in Color, Grey Scale, or Black and White according to your printer.
- For Original Document:
  - **Scan Source:** The XEA app can automatically detect the scan source as Document Feeder or Scanner Glass, if not defined previously.
  - **2-Sided Original:** You can enable 2-Sided scanning for your document.
  - **Original Size:** You can select the original size of your document and set it up before scanning. The default size is A4 (210 x 297 mm).

After the scan settings are defined, touch **Start Scanning**. When scanning is complete, you can review your scanned document on the Preview page of the app. From the Preview page, you can share the scanned document according to the distribution options available in your phone.

## Print

You can perform a print job through the Xerox Easy Assist app. In the app, select your printer, then touch **Print**. Select the document that you need to print from your mobile device, confirm the print settings, then touch **Print**.

## Device Settings

You can view and edit your printer settings from the **Device Settings** tab. If you have not set up a password during the initial setup, to view or edit existing printer settings, you need to set up the password. The **Device Settings** tab includes the following:

- **About**
- **Language**
- **Wi-Fi Setup**
- **Measurements**
- **Date & Time**
- **Sound**
- **Power Saver**
- **Supplier Profile**

- **Fax** (if applicable)
- **Admin Password**

### Support Center

You can request support and find solutions for printer-related problems through the Xerox Easy Assist app.

**Support Center** includes the following services:

- **Self Serve:** To access this feature in the app, select your printer, then touch **Support Center > Self Serve**. Self Serve option takes you to a new page for CareAR Instruct. You can download, learn, and search about the printer through CareAR Instruct app.
- **Chat:** To access this feature in the app, select your printer, then touch **Support Center > Chat**. It connects you to a Live Chatbot for Xerox's Support Agent.
- **Printer's Website:** To access this feature in the app, select your printer, then touch **Support Center > Printer's Website**. You are taken to a new page of Additional Printer Settings. You can view the complete printer configuration and access the website of the printer. The Additional Printer Settings page also has an option to **Share Link**. To have the Printer IP Address and other details sent to your registered Email, touch **Share Link**.
- **Set Up My Computer:** To access this feature in the app, select your printer, then touch **Support Center > Set Up My Computer**. You can download Print and Scan Drivers for your printer through Xerox Easy Assist app. In the Email field, type your registered email address, then touch the **+** icon to add your email. To download and install the Print and Scan Drivers, the app sends a Quick Link to your email address.
- **Print Test Page:** To access this feature in the app, select your printer, then touch **Support Center > Print Test Page**. You can print a test page that has useful information about your printer, and confirm that all settings are correct.
- **Product Registration:** To register your printer with Xerox, select your printer, then touch **Support Center > Product Registration**. The Product Registration page opens. You can submit your registration and can also access Warranty, Support, and Updates from this page.
- **Sustainability:** To access this feature in the app, select your printer, then touch **Support Center > Sustainability**. You are taken to a new page for Xerox Sustainability Efforts. You can view the Waste management information, Health & Safety data and Other Initiatives. You can access Xerox Sustainability ([Environmental Health & Sustainability - Xerox](#)) web page in default browser on the mobile device.

### Remove a Printer

You can remove a printer from the Xerox Easy Assist app. On your app, select a printer, then touch **Remove From My Printers**.

### Prior to Installing the Printer: Initial Set Up with the Xerox® Easy Assist App

To complete the initial setup and install the Xerox Easy Assist app for the first time, do the following:

1. For initial setup when the printer is powered on for the first time, the initial setup screens appears. On the printer control panel, do the following:
  - a. Select your **Language**, then touch **Next**.

The Xerox Easy Assist Mobile App screen appears.

- b. To use your mobile device to set up and manage your printer, touch **Yes**.

Get the App screen appears to confirm the type of your mobile device. Choose any one option:

- **iOS:** To install the Xerox Easy Assist app for your iPhone, select this option.
- **Android:** To install the Xerox Easy Assist app for your Android mobile device, select this option.
- **I have the App:** If you have installed Xerox Easy Assist app on your mobile device already, select this option.

2. If you have selected iOS or Android option, a screen appears to help you download the app. On the control panel, touch **Show QR Code** option.

A screen appears with the QR Code. To install the app, scan the QR Code using your smartphone camera.

3. Download and install the Xerox Easy Assist app on your smartphone:
  - For Android phones: Go to Google Play Store, then search for Xerox Easy Assist app.
  - For iOS or iPhones: Go to Apple App Store, then search for Xerox Easy Assist app.
4. When you install the app for the first time on your smartphone, for End-User License Agreement (EULA), touch **I Agree**.



Note: The Xerox Easy Assist App has instructions that help you to unpack the printer from its packaging box. To watch a helpful video on how to unpack your printer, scan the QR Code on the packaging box or the *Installation Guide* that came with your printer, using your smartphone camera. Accept the End-User License Agreement (EULA), then follow the instructions that appear on the app.

5. To set up a new printer from your smartphone XEA app, on the Add Printer screen, select **Unbox a New Printer**. Follow the instructions that appear on the app.

Select Printer Model page appears.

6. Select your printer model from the list of valid printers.

A Welcome screen appears for Xerox Easy Assist.

7. Choose from the following options:
  - **Help Me Unpack My Printer:** Select this option to view instructions that help you to unpack the printer from its packaging box.
  - **I've Unpacked My Printer:** Select this option to connect the XEA app to the printer.

8. In the app, touch **I've Unpacked My Printer**.

9. To connect with the printer, the following options appear in the app:
- Manual Connection:
    - **Scan QR Code:** This option enables you to connect to the printer by scanning the QR Code. In the app, touch **Scan QR Code**, then follow the instructions that appear on the app. On the printer control panel, to connect to the app, touch **Show QR Code** option. The second or Connect-QR Code appears. Scan the QR Code through the Xerox Easy Assist app. Follow the instructions that appear on the app.

When the connection is configured, your smartphone and the printer share the same Wireless network, temporarily.

    - **Enter IP Address:** This option enables you to connect to the printer by typing the IP Address of the printer. Connect the printer to a network or Internet through an Ethernet cable. Follow the instructions that appear on the app to find the IP Address of the printer. When you have located the IP Address, touch **Enter IP Address**. Type the IP Address in the Add Printer field of the XEA app, then touch **OK**.
  - Quick Connection-Search for Devices: When the printer is connected to Internet through Quick Connection, XEA app searches for nearby printers.
10. With the support of Xerox Easy Assist app, complete the general settings and register the printer on the network.  
General settings include Admin Password, Connectivity, Measurements, Date and Time, Sound, Power Saver settings, and more.



Note: Ensure that your smartphone is connected to the same Wireless or wired network as the printer and they can communicate after the setup is complete.

11. To complete the initial setup in the app, type the necessary information for your printer, then touch **Complete Setup**.

The Welcome screen appears.

When the initial setup is complete, with the Xerox Easy Assist app, you can perform the following:

- Setting up a new printer
- Checking the printer status
- Ordering supplies
- Downloading Print and Scan Drivers
- Printing
- Getting troubleshooting support
- Accessing the website of the printer
- Accessing Environment, Health, and Safety information
- Removing a printer from the XEA app My Printers list

For Xerox Easy Assist app features, refer to [Xerox® Easy Assist \(XEA\) App](#).

### After Initial Installation: Connecting to the Xerox® Easy Assist App from the Control Panel

To install and use the Xerox Easy Assist (XEA) app for a printer that is already installed and connected to your network, you can find the QR Code on the control panel.

### Connecting through QR Code:

1. Download the Xerox Easy Assist (XEA) app from Apple App Store or Google Play Store.
2. At the Add Printer page, touch **Connect to Existing Printer**.
3. Select your printer model from the list of valid printers.
4. The app searches for printers on your network. You can skip this process. To connect through QR Code, touch **Skip**, then touch **Add a Printer**.
5. From Connect to Existing Printer screen, touch **Scan QR Code**. Choose from the following options:
  - **Help Me Find the QR Code**: Select this option and follow the instructions to find the QR Code in the printer control panel.
  - **I'm Ready to Scan**: Select this option when you have found the QR Code in the printer control panel and ready to scan it through the app.
6. On the printer control panel, touch the status bar on top of the Home screen to access the Notification Center.
7. From the Notification Center, touch the QR Code icon for **Connected to Network**. A new window opens for **Connect to Xerox Easy Assist Mobile App** that displays the Connect QR Code.
8. Scan the QR Code using the XEA app. This adds your printer to My Printers list in the XEA app.

### Connecting through IP Address:

1. Download the Xerox Easy Assist (XEA) app from Apple App Store or Google Play Store.
2. At the Add Printer page, touch **Connect to Existing Printer**.
3. Select your printer model from the list of valid printers.
4. The app searches for printers on your network. You can skip this process. To connect through IP Address, touch **Skip**, then touch **Add a Printer**.
5. From Connect to Existing Printer screen, touch **Enter IP Address**. Choose from the following options:
  - **Help Me Find the IP Address**: Select this option and follow the instructions to find the IP Address of the printer in the control panel.
  - **Enter IP Address**: Select this option when you have found the IP Address of the printer and ready to type it in the app.
6. On the printer control panel, refer to the IP Address in the status bar on top of the Home screen of the printer.
7. Type the IP Address in the Add Printer screen of the XEA app, then touch **OK**. This adds your printer to My Printers list in the XEA app.

### Adding Multiple Printers to the Xerox Easy Assist App

If your printer is already set up on your network and the initial setup is complete, through the XEA app, you can include additional printers directly to the list of My Printers. You can see the printer status, get print drivers, and get Chatbot support. To add printers that are on the network, open the XEA app Home page in your smartphone. On the My Printers screen, touch the **+** icon or **Add** from the top of the screen. Refer to the following options:



- **Setting Up a New Printer:** To set up a new printer from your smartphone XEA app, on the Add Printer screen, select **Unbox a New Printer**. Follow the instructions that appear on the printer control panel and on your mobile device.
- **Adding an Existing Printer:** To add an existing printer that is already connected to the network, on the Add Printer screen, select **Connect to Existing Printer**. Follow the instructions that appear on the printer control panel and on your mobile device.

You can add a printer by following any one these methods:

- **QR Code:** To scan the printer QR Code with the XEA app scanner, touch **QR Code**. To find the QR Code of the printer, refer to [After Initial Installation: Connecting to the Xerox® Easy Assist App from the Control Panel](#).
- **IP Address:** To connect to the printer by typing the IP Address manually, touch **IP Address**. Type the IP Address of the printer, then touch **OK**. For more information, refer to [After Initial Installation: Connecting to the Xerox® Easy Assist App from the Control Panel](#).
- **Finding the Nearby Network Printers:** When your smartphone is connected to the same wireless or wired network as the printer, for Quick Connection, the app searches for nearby printers on your network.
  - If the app finds the printer, you can select and add the printer directly.
  - If the app is unable to find the printer you are looking for, then you can add the printer by typing its IP address.



Note: If the printer and mobile device cannot communicate, ensure that they are on the same network.

## Jobs


### JOBS OVERVIEW



You can use Jobs to view current jobs, print saved and secure jobs, and view details about completed jobs. You can pause, delete, print, or view job progress or job details for a selected job.

### JOB OPTIONS

The following job options are available:

OPTION		DESCRIPTION
	Interrupt Button	When enabled by the System Administrator, pressing the <b>Interrupt</b> button allows you to pause the current job to run a more urgent job.   Note: Sometimes this option is hidden from view. To enable the Interrupt function, refer to the <i>System Administrator Guide</i> at <a href="http://www.xerox.com/office/VLC620docs">www.xerox.com/office/VLC620docs</a> .
	Pause Button	Pressing the <b>Pause</b> button allows you to temporarily pause an active print job. The job pauses with the option to resume printing or to delete the job.

### MANAGING JOBS

From the control panel Jobs menu, you can view lists of active jobs, secure jobs, or completed jobs. You can interrupt, pause, or delete jobs that are printing. You can also view job progress or job details for a selected job.

A print job can be held by the printer when it is unable to complete the job. For example, if the printer needs attention, paper, or supplies. When the condition is resolved, the printer automatically resumes printing. When you send a Secure Print job, the job is held until you release it by entering a passcode at the control panel. For more details, refer to [Managing Special Job Types](#).

From the Jobs window in the Embedded Web Server, you can view a list of active and saved print jobs. For more details, refer to [Managing Jobs using the Embedded Web Server](#).

### Interrupting Printing

System Administrators can allow users to interrupt active print jobs. For details about **Interrupt Printing Enablement**, refer to the *System Administrator Guide* at [www.xerox.com/office/VLC620docs](http://www.xerox.com/office/VLC620docs).

1. At the printer control panel, press the **Home** button.
2. Touch **Jobs**.

A list with active jobs, that are queued for the printer, appears.

3. At the control panel, touch the **Interrupt** button. The printer continues to print while it determines the best place to pause the spooled print job.
4. Printing stops to allow the printer to complete another job.
5. To resume printing, touch the **Interrupt** button again.

### Pausing or Deleting a Print Job

1. At the printer control panel, press the **Home** button.
2. Touch **Jobs**.  
A list with active jobs, that are queued for the printer, appears.
3. To pause a job that is printing, touch the **Pause** button on the control panel.
4. Select a task.
  - To resume the print job, touch **Resume**.
  - To delete the print job, touch **Delete**. At the prompt, touch **Delete**.
5. To return to the Home screen, press the **Home** button.

### Printing a Job Held for Resources

When a job is held for resources, a status message and a pop-up alert appear on the control panel, as default. From the Embedded Web Server, the system administrator can configure whether only a status message appears or both status message and a pop-up alert appear on the control panel.

1. If the pop-up alert is disabled by the system administrator, to view the held jobs, do the following:
  - a. At the printer control panel, press the **Home** button.
  - b. Touch **Jobs**.  
A list with active jobs, that are queued for the printer, appears.
2. When the pop-up alert is enabled, if a job is held for resources, a pop-up alert appears on the control panel. On the pop-up alert, touch **View Active Jobs**.  
A list with active jobs, that are queued for the printer, appears.
3. From the jobs list, touch the held job name. The following options appear:
  - **Print On Alternate Paper:** To choose an alternative paper source to enable the job to print, touch **Print On Alternate Paper**. Select a paper tray, then touch **OK**.
  - **Delete:** To delete the print job, touch **Delete**. At the prompt, touch **Delete**.
  - **Job Progress:** To view the progress, touch **Job Progress**.
  - **Job Details:** To view the details, touch **Job Details**. At the prompt, you can view the Job Settings and Required Resources.

4. To print the job, replenish the resources required. The job resumes automatically when the required or alternate resources are available.



Note: The **Print On Alternate Paper** option is enabled using the Embedded Web Server. For details about the Print On Alternate Paper option, refer to the *System Administrator Guide* at [www.xerox.com/office/VLC620docs](http://www.xerox.com/office/VLC620docs).

5. To return to the Home screen, press the **Home** button.

## MANAGING SPECIAL JOB TYPES

Special job types allow you to send a print job from your computer, then print it from the printer control panel. Select special job types in the print driver, Printing Options tab, under Job Type.

### Saved Job

Saved Jobs are documents that are sent to the printer and stored there for future use. All users can print or delete a Saved Job.

At the control panel, from the Print From menu, you can view and print saved jobs. In the Embedded Web Server, in the Jobs window, you can view, print, and delete saved jobs, and you can manage where jobs are stored.

### Printing using Saved Job

1. In your software application, access the print settings. For most software applications, press **CTRL+P** for Windows or **CMD+P** for Macintosh.
2. Select your printer, then open the print driver.
  - For Windows, click **Printer Properties**. Depending on your application, the title of the button can vary.
  - For Macintosh, in the Print window, in the print options list, click **Xerox Features**.
3. For Job Type, select **Saved Job**.
  - a. Type a job name or select a name from the list.
  - b. Type a folder name or select a name from the list.
  - c. To add a passcode, click **Private**, type the passcode, then confirm the passcode.
  - d. Click **OK**.
4. Select other required printing options.
  - For Windows, click **OK**, then click **Print**.
  - For Macintosh, click **Print**.

### Printing, Deleting, Moving, or Copying a Saved Job in the Embedded Web Server

1. At your computer, open a Web browser. In the address field, type the IP address of the printer, then press **Enter** or **Return**.
2. In the Embedded Web Server, click **Home**.
3. Click **Jobs**.
4. Click the **Saved Jobs** tab.

5. For the job that you want to process, select the check box.
6. From the menu, select an option.
  - **Print Job:** This option prints a job immediately.
  - **Delete Job** This option deletes the saved job.
  - **Move Job:** Use this option to move the job to another folder location.
  - **Copy Job:** Use this option to duplicate the job.
7. Click **Go**.

### Secure Print

Use Secure Print to print sensitive or confidential information. After you send the job, it is held at the printer until you enter your passcode at the printer control panel.

After a Secure Print job is printed, it is deleted automatically.

### Printing using Secure Print

1. In your software application, access the print settings. For most software applications, press **CTRL+P** for Windows or **CMD+P** for Macintosh.
2. Select your printer, then open the print driver.
  - For Windows, click **Printer Properties**. Depending on your application, the title of the button varies.
  - For Macintosh, in the Print window, click **Preview**, then select **Xerox Features**.
3. For Job Type, select **Secure Print**.
4. Type the passcode, confirm the passcode, then click **OK**.
5. Select any other required printing options.
  - For Windows, click **OK**, then click **Print**.
  - For Macintosh, click **Print**.

### Releasing a Secure Print Job

1. At the printer control panel, press the **Home** button.
2. Touch **Jobs**.
3. To view Secure Print jobs, touch **Secure Jobs**.
4. Do one of the following:
  - If you submitted a single Secure Print job, touch the folder, then touch the job. Enter the passcode number, then touch **OK**. The job prints automatically.
  - If you submitted multiple Secure Print jobs, touch the folder, enter the passcode number, then touch **OK**. Select an option:
    - To print a single Secure Print job, touch the job required.
    - To print all the jobs in the folder, touch **Print All**.
    - To delete a single Secure Print job, touch the **Trash** icon. At the prompt, touch **Delete**.

- To delete all the jobs in the folder, touch **Delete All**.



Note: After a Secure Print job prints, the printer deletes it automatically.

5. To return to the Home screen, press the **Home** button.



Note: You can send and release a secure print job through Universal Print. For more information, refer to the *System Administrator Guide* at [www.xerox.com/office/VLC620docs](http://www.xerox.com/office/VLC620docs).

## Sample Set

The Sample Set job type prints one copy of a multiple-copy print job before printing the remaining copies. After reviewing the sample set, you can either print the remaining copies or delete them at the printer control panel.

Sample Set is a type of saved job with these features:

- A Sample Set job appears in a folder named after the user ID associated with the print job.
- A Sample Set job does not use a passcode.
- Any user can print or delete a Sample Set job.
- A Sample Set prints one copy of a job to allow you to proofread the job before printing any remaining copies.

After a Sample Set job is printed, it is deleted automatically.

To print a Sample Set, refer to [Printing using Sample Set](#).

### Printing using Sample Set

1. In your software application, access the print settings. For most software applications, press **CTRL+P** for Windows or **CMD+P** for Macintosh.
2. Select your printer, then open the print driver.
  - For Windows, click **Printer Properties**. Depending on your application, the title of the button varies.
  - For Macintosh, in the Print window, click **Preview**, then select **Xerox Features**.
3. For Job Type, select **Sample Set**.
4. Select any other required printing options.
  - For Windows, click **OK**, then click **Print**.
  - For Macintosh, click **Print**.

### Releasing a Sample Set

1. At the printer control panel, press the **Home** button.
2. To view available jobs, touch **Jobs**.
3. Touch the Sample Set job.



Note: The Sample Set file description shows the job as Held for Future Printing, and shows the number of remaining copies of the job.

4. Select an option.
  - To print the remaining copies of the job, touch **Release**.
  - To delete the remaining copies of the job, touch **Delete**.
5. To return to the Home screen, press the **Home** button.

## MANAGING JOBS USING THE EMBEDDED WEB SERVER

In the Embedded Web Server Active Jobs list, you can view a list of active jobs and delete print jobs. You can use the Embedded Web Server to submit jobs for printing at the device. You can use the Job Submission feature to print .ps, .pdf, and .pcl files without installing a print driver. You can select jobs for printing from your local computer hard drive, mass storage devices, or a network drive.


Saved jobs are documents sent to the printer and stored there for future use. Any saved jobs appear on the Saved Jobs page. Use the Saved Jobs page to view, print, and delete saved jobs, and create and manage folders in which they are stored.

To manage jobs using the Embedded Web Server:

1. At your computer, open a Web browser. In the address field, type the IP address of the printer, then press **Enter** or **Return**.
2. In the Embedded Web Server, click **Jobs**.
3. Click the job name.
4. From the menu, select an option.
  - To pause the print job, click **Pause**, then click **Go**.
  - To delete the print job, click **Delete**, then click **Go**. At the prompt, click **OK**.
5. To return to the Home screen, click **Home**.

### Submitting Jobs for Printing using the Embedded Web Server

1. At your computer, open a Web browser. In the address field, type the IP address of the printer, then press **Enter** or **Return**.
2. In the Embedded Web Server, click **Home**.
3. Click **Print**.
4. For File Name, click **Browse** or **Choose File**, then do one of the following steps.
  - Navigate to the file, then select it.
  - Type the path to the file that you want to select.
5. In the Printing area, for Copies, select **Auto**, or enter the number of copies to print.

6. For Job Type, select an option:
    - **Normal Print:** This option prints a job immediately.
    - **Secure Print:** This option prints a job after you enter your passcode at the printer control panel.
    - **Sample Set or Proof Print:** These options print one copy of a multiple-copy print job. The device holds the remaining copies in memory until you release them for printing at the control panel.
    - **Save Job for Reprint:** This option saves a print job in a folder on the print server for future printing. You can specify a job name and folder.
    - **Delay Print:** This option prints a job at a specified time up to 24 hours from the original job submission.
  7. As needed, for Paper Selection, select paper size, color, type, and tray.
  8. As needed, select job options.
    - 2-Sided Printing
    - Collate
    - Orientation
    - Output Destination
-  Note: The available options vary by device.
9. If Accounting is enabled, enter your User ID and Account ID.
  10. Click **Submit Job**.

### Reprinting Saved Jobs using the Embedded Web Server

1. At your computer, open a Web browser. In the address field, type the IP address of the printer, then press **Enter** or **Return**.
2. In the Embedded Web Server, click **Home**.
3. Click **Jobs**.
4. Click the **Saved Jobs** tab.
5. For the job that you want to process, select the check box.
6. From the menu, select an option.
  - **Print Job:** This option prints a job immediately.
  - **Delete Job** This option deletes the saved job.
  - **Move Job:** Use this option to move the job to another folder location.
  - **Copy Job:** Use this option to duplicate the job.
7. Click **Go**.



## Print From

### PRINT FROM OVERVIEW



You can use the Print From App to print jobs from various sources. You can print jobs stored in a print-ready format from a USB stick. You can print saved jobs and jobs stored in a mailbox.

To create a print-ready file, when you print your documents from programs such as Microsoft Word, select the print to file option. Check with your specific publishing application for options to create print-ready files.

For details on configuring and customizing the Apps, refer to the *System Administrator Guide* at [www.xerox.com/office/VLC620docs](http://www.xerox.com/office/VLC620docs).

If authentication or accounting is enabled on your device, to access features, enter your login details.

### PRINTING FROM A USB FLASH DRIVE

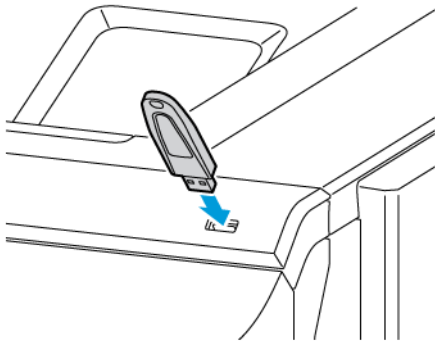
You can print single or multiple files stored on a USB Flash drive. The USB port is on the front of the printer.



Note: Only USB Flash drives formatted to FAT16, FAT32, and exFAT file systems are supported. exFAT support is a licensed feature that requires a purchased FIK.

To print from a USB Flash drive:


1. Insert the USB Flash drive into the USB port on the printer.



2. At the USB Drive Detected screen, touch **Print from USB**.

**Warning:** To avoid loss of data or printer malfunction, do not touch the flash drive or the printer in the area shown while actively printing, reading, or writing from the memory device.



 Note: If the Print from USB feature does not appear, enable the feature or contact your system administrator. For details, refer to the *System Administrator Guide* at [www.xerox.com/office/VLC620docs](http://www.xerox.com/office/VLC620docs).

3. To select a file for printing, browse the file, then touch the check box. If multiple files require printing, browse each file, then select the check box for each file.
4. Touch **OK**.  
A list of files selected for printing appears.
5. To remove files from the printing list:
  - To remove a single file, touch the file, then select **Remove**. To confirm removal, touch **Remove**.
  - To remove all the files, touch a file, then select **Remove All**. To confirm removal, touch **Remove All**.
6. Adjust the feature settings as needed.
7. Touch **Print**.
8. When you are finished, remove the USB Flash drive.
9. To return to the Home screen, press the **Home** button.

## PRINTING FROM SAVED JOBS

To print from saved jobs:

1. At the control panel, press the **Home** button, then touch **Print From**.
2. Touch **Saved Jobs**, then touch the name of the folder that contains the saved job.
3. Touch the name of the saved job that you want to print.
4. Select the options for paper supply, quantity, 2-Sided printing, and finishing.
5. Touch **Print**.

 Note: To print a private saved job, at the Passcode Required screen, enter the passcode, then touch **OK**.

6. To print another saved job, touch the current job name, then touch **Remove**. Touch **Add Document**, touch **Saved Jobs**, then navigate to the job required.
7. To return to the Home screen, press the **Home** button.

## @PrintByXerox

### @PRINTBYXEROX OVERVIEW



You can use the Xerox® @PrintByXerox App to print email attachments and documents sent to your printer from mobile devices.

When your Xerox device is connected to the Internet, the @PrintByXerox App works with Xerox® Workplace Cloud for simple email-based printing.



Note: The @PrintByXerox App is free to use. For more advanced workflows, use Xerox® Workplace Cloud. The Xerox® Workplace Cloud software requires a specific licence. For details, refer to the *Xerox® @PrintByXerox App Quick Start Guide* available at [www.xerox.com/XeroxAppGallery](http://www.xerox.com/XeroxAppGallery).

For details on configuring and customizing the Apps, refer to the *System Administrator Guide* at [www.xerox.com/office/VLC620docs](http://www.xerox.com/office/VLC620docs).

If authentication or accounting is enabled on your device, to access features, enter your login details.

### PRINTING WITH THE @PRINTBYXEROX APP

1. Send an email with an attachment that contains a supported file type to [Print@printbyxerox.com](mailto:Print@printbyxerox.com).  
First-time users receive a response email with a user ID and password.
2. At the Xerox device control panel, press the **Home** button.
3. Touch **@PrintByXerox**.
4. Enter your email address, then touch **OK**.
5. On the enter password screen, enter your password using the touch screen keypad, then touch **OK**.
6. Select the documents that you want to print.
7. To modify print settings, touch **Print Settings**, then touch **OK**.
8. To release your print jobs, touch **Print**.
  - A *Submitting Jobs to Print* message and the conversion state appear.
  - When the documents begin to print, a green check mark appears.

## Xerox® Connect for XMPie

### XEROX® CONNECT FOR XMPIE APP OVERVIEW



The Xerox® Connect for XMPie App, provides instant access to 50 or more templates. With one touch, you can create personalized content from your printer.

Use the Xerox® Connect for XMPie App for free access to templates, with the ability to personalize them for immediate printing.

To configure the Connect for XMPie App on your printer, contact your system administrator, or refer to the *System Administrator Guide* at [www.xerox.com/office/VLC620docs](http://www.xerox.com/office/VLC620docs).

To use the Connect for XMPie App from the Home screen, touch **Connect for XMPie**. The main screen displays Featured Products and Product Categories. You can browse the categories for the products that you want to create. Follow the instructions on screen to create a job with customized fields. You can preview and print as needed. For more information on XMPie, go to [www.support.xerox.com](http://www.support.xerox.com) and in the Search box, type XMPie.

If authentication or accounting is enabled on your device, to access features, enter your login details. For details about Personalization for logged-in users, refer to [Personalize](#).



# Printing

This chapter contains:

Printing Overview .....	112
Selecting Printing Options.....	113
Print Jobs.....	122
Printing Features.....	127
Using Custom Paper Sizes.....	138
Print From.....	141

## Printing Overview

Before you print, ensure that your computer and the printer are plugged in, powered on, and connected to an active network. Ensure that you have the correct print driver software installed on your computer. For details, refer to [Installing the Print Driver Software](#).


1. Select the appropriate paper.
2. Load paper in the appropriate tray. At the printer control panel, specify the paper size, color, and type.
3. Access the print settings in your software application. For most software applications, for Windows, press **CTRL +P**, or for Macintosh, press **CMD+P**.
4. Select your printer.
5. To access the print driver settings, for Windows, select **Printer Properties**, **Print Options**, or **Preferences**. For Macintosh, select **Xerox Features**. The name of the option can vary depending on your application.
6. Modify the print driver settings as necessary, then click **OK**.
7. To send the job to the printer, click **Print**.
8. If you selected a special job type, for example Secure Print or Sample Print, your job is held at the printer and requires further action to print. To manage jobs at the printer, use the Jobs app.

For further information on managing print jobs, refer to [Managing Jobs](#).



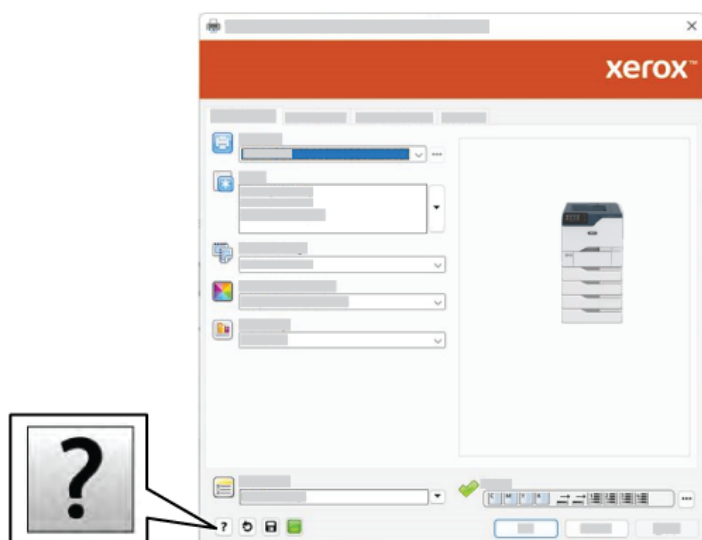
## Selecting Printing Options

Printing options, also called print driver software options, are specified as Printing preferences in Windows and Xerox® Features in Macintosh. Printing options include settings for 2-sided printing, page layout, and print quality. Printing options that you set from Printing preferences within the Devices and Printers window become the default setting. Printing options that you set within the software application are temporary. The application and the computer do not save the settings after the application is closed.

 Note: For Windows 10 and later, Printing options can be set from Printing preferences within the Printers & scanners setting.

### PRINT DRIVER HELP

Xerox® print driver software Help information is usually available from the Printing Preferences window. To see the help, click the **Help (?)** button in the bottom-left corner of the Printing Preferences window.



Information about Printing Preferences appears in the Help window. From this window, you can select by topic or use the search field. In the search field, enter the topic or function required.


### WINDOWS PRINTING OPTIONS


#### Setting Default Printing Options for Windows

When you print from any software application, the printer uses the print job settings that are specified in the Printing Preferences window. You can specify your most common printing options and save the options for reuse so that you do not have to change the settings each time that you print.

For example, if you want to print on both sides of the paper for most jobs, specify 2-sided printing in Printing Preferences.

1. On your computer, navigate to the list of printers:
  - For Windows Server 2012 and later, click **Start > Settings > Printers**.
  - For Windows 10, click **Start > Settings > Devices > Printers & scanners**.
  - For Windows 11 and later, click **Start > Settings > Bluetooth & devices > Printers & scanners**.

 Note: If you are using a custom Start menu application, the application can change the navigation path to your list of printers.
2. For your printer, select **Printing preferences**:
  - For Windows Server 2012 and later, right-click the icon for your printer, then click **Printing preferences**.
  - For Windows 10, click the icon for your printer, then click **Manage > Printing preferences**.
  - For Windows 11 and later, click the icon for your printer, then click **Printing preferences**.
3. In the Printing Preferences window, click a tab, then select the options. To save the settings, click **OK**.

 Note: For more information about Windows print driver options, click the **Help** button (?) in the Printing Preferences window.


### Selecting Printing Options for an Individual Job for Windows

To use special printing options for a particular job, you can change the Printing Preferences before sending the job to the printer.

1. With the document open in your software application, access the print settings. For most software applications, click **File > Print** or press **CTRL+P** for Windows.
2. To open the Printing Preferences window, select your printer, then click the **Printer Properties**, **Print Options**, or **Preferences** button. The title of the button can vary, depending on your application.
3. Click a tab in the Printing Preferences window, then make selections.
4. To save your selections and close the Printing Preferences window, click **OK**.
5. To send the job to the printer, click **Print**.

### Selecting Printing Defaults in Windows for a Shared Network Printer

1. On your computer, navigate to the list of printers:
  - For Windows Server 2012 and later, click **Start > Settings > Printers**.
  - For Windows 10, click **Start > Settings > Devices > Printers & scanners**.
  - For Windows 11 and later, click **Start > Settings > Bluetooth & devices > Printers & scanners**.

 Note: If the Control Panel icon does not appear on the desktop, right-click the desktop, then select **Personalize**. Select **Control Panel Home > Devices and Printers**.
2. For your printer, select **Printer properties**:
  - For Windows Server 2012 and later, right-click the icon for your printer, then click **Printing properties**.
  - For Windows 10, click the icon for your printer, then click **Manage > Printer properties**.
  - For Windows 11 and later, click the icon for your printer, then click **Printing preferences**.

3. In the printer Properties dialog box, click the **Advanced** tab.
4. On the Advanced tab, click **Printing Defaults**.
5. On the print driver tabs, make your selections as needed, then click **Apply**.
6. To save the settings, click **OK**.

### **Saving a Set of Commonly Used Printing Options for Windows**

You can define and save a set of options, so that you can apply them to future print jobs. After you save a set of print options, they are available for selection from the Saved Settings or Presets list, or the 1-Touch area, if available.

To save a set of printing options:

1. With the document open in your application, click **File > Print**.
2. To open the Printing Preferences window, select your printer, then click **Properties** or **Preferences**.
3. In the Printing Properties window, click the tabs, then select the required settings.
4. In the Printing Properties window, click **Saved Settings** or **Presets**, then click **Save As**.
5. Type a name for the saved setting or preset, then choose preset options, if available:
  - Choose an icon for the preset.
  - To enable the preset as 1-Touch, select **1-Touch Preset**.
  - To share the preset in all print drivers, select **Show this Preset in All Drivers**.
6. Click **OK**.
7. To print with these settings:
  - From the Saved Settings or Presets list, select the name of the preset.
  - For a 1-Touch preset, click **1-Touch**, then click the required **1-Touch** preset.

## **MACINTOSH PRINTING OPTIONS**

### **Selecting Printing Options for Macintosh**

To use specific printing options, change the settings before sending the job to the printer.

1. With the document open in your application, click **File > Print**.
2. Select your printer.
3. In the Print window, in the print options list, click **Xerox Features**.



Note: To see all printing options, click **Show Details**.


4. Select any other required printing options from the lists.
5. To send the job to the printer, click **Print**.

### **Saving a Set of Commonly Used Printing Options for Macintosh**

You can define and save a set of options, so that you can apply them to future print jobs.

To save a set of printing options:

1. With the document open in your application, click **File > Print**.
2. Select your printer from the Printers list.
3. Select the required printing options from the lists in the Print dialog box.

 Note: To see all printing options, click **Show Details**.

4. Click **Presets > Save Current Settings as Preset**.
5. Type a name for the printing options. To save the set of options in the Presets list, click **OK**.
6. To print using these options, select the name from the Presets list.

### **UNIX, LINUX, AND AS/400 PRINTING**

To provide printer spooling and network print server functionality, UNIX-based printing uses LPD/LPR port 515 or lp to port 9100. Xerox printers can communicate using either protocol.

#### **Xerox® Printer Manager**

Xerox® Printer Manager is an application that allows you to manage and print to multiple printers in UNIX and Linux environments.

Xerox® Printer Manager allows you to:

- Configure and check the status of network connected printers.
- Set up a printer on your network and monitor the operation of the printer once installed.
- Perform maintenance checks and view supplies status at any time.
- Provide a common look and feel across the many different suppliers of UNIX and Linux operating systems.

#### **Installing Xerox® Printer Manager**

Before you begin, ensure that you have root or superuser privileges to install Xerox® Printer Manager.

To install Xerox® Printer Manager:

- Download the appropriate package for your operating system. To locate print drivers for your printer, go to [www.xerox.com/office/VLC620drivers](http://www.xerox.com/office/VLC620drivers). The files available are:
  - XeroxOSDPkg-AIXpowerpc-x.xx.xxx.xxxx.rpm for the IBM PowerPC family.
  - XeroxOSDPkg-HPUXia64-x.xx.xxx.xxxx.depot.gz to support HP Itanium workstations.
  - XeroxOfficev5Pkg-Linuxi686-x.xx.xxx.xxxx.rpm to support RPM-based 32-bit Linux environments.
  - XeroxOfficev5Pkg-Linuxi686-x.xx.xxx.xxxx.deb to support Debian-based 32-bit Linux environments.
  - XeroxOfficev5Pkg-Linuxx86\_64-x.xx.xxx.xxxx.rpm to support RPM-based 64-bit Linux environments.
  - XeroxOfficev5Pkg-Linuxx86\_64-x.xx.xxx.xxxx.deb to support Debian-based 64-bit Linux environments.
  - XeroxOSDPkg-SunOSi386-x.xx.xxx.xxxx.pkg.gz for Sun Solaris x86 systems.
  - XeroxOSDPkg-SunOSsparc-x.xx.xxx.xxxx.pkg.gz for Sun Solaris SPARC systems.
- To install the custom print driver, log in as root, then type the appropriate command for your system:
  - AIX: `rpm -U XeroxOSDPkg-AIXpowerpc-x.xx.xxx.xxxx.rpm`
  - HPUX: `swinstall -s XeroxOSDPkg-HPUXia64-x.xx.xxx.xxxx.depot.gz \*`
  - Solaris, x86 based: `pkgadd -d XeroxOSDPkg-SunOSi386-x.xx.xxx.xxxx.pkg`
  - Solaris, SPARC based: `pkgadd -d XeroxOSDPkg-SunOSsparc-x.xx.xxx.xxxx.pkg`

The installation creates a Xerox directory in `/opt/Xerox/prtsys`.
- To install the Xerox® Office Standard Driver on Linux platform, log in as root, then type the appropriate command for your system:
  - Linux, RPM based: `rpm -U XeroxOfficev5Pkg-Linuxi686-x.xx.xxx.xxxx.rpm`
  - Linux, Debian based: `dpkg -i XeroxOfficev5Pkg-Linuxi686-x.xx.xxx.xxxx.deb`

The installation creates a XeroxOffice directory in `/opt/XeroxOffice/prtsys`.

### Launching Xerox® Printer Manager

To launch Xerox® Printer Manager:

- From your computer, access a command window. At the command prompt, log in as root, then type `xerxofficeprtmgr`.
- Press **Enter** or **Return**.

### Printing from a Linux Workstation

To print from a Linux workstation, install either a Xerox® print driver for Linux or a CUPS (Common UNIX Printing System) print driver. You do not need both drivers.

Xerox recommends that you install one of the full-featured custom print drivers for Linux. To locate drivers for your printer, go to [www.xerox.com/support/drivers](http://www.xerox.com/support/drivers).

If you use CUPS, ensure that CUPS is installed and running on your workstation. The instructions for installing and building CUPS are contained in the *CUPS Software Administrators Manual*, written and copyrighted by Easy Software Products. For complete information on CUPS printing capabilities, refer to the *CUPS Software Users Manual* available from [www.cups.org/documentation.php](http://www.cups.org/documentation.php).

### Installing the PPD File on the Workstation

1. On the Xerox Support website, from the Drivers and Downloads page, download the Xerox® PPD for CUPS (Common UNIX Printing System).
2. Copy the PPD file into the CUPS ppd/Xerox folder on your workstation. If you are unsure of the location of the folder, use the **Find** command to locate the PPD files.
3. Follow the instructions that are included with the PPD file.

### Adding the Printer

1. Verify that the CUPS (Common UNIX Printing System) daemon is running.
2. Open a Web browser, type `http://localhost:631/admin`, then press **Enter** or **Return**.
3. For User ID, type `root`. For password, type the root password.
4. Click **Add Printer**, then follow the onscreen prompts to add the printer to the CUPS printer list.

### Printing with CUPS (Common UNIX Printing System)

CUPS supports the use of both the System V (`lp`) and Berkeley (`lpr`) printing commands.

1. To print to a specific printer in System V, type `lp -dprinter filename`, then press **Enter**.
2. To print to a specific printer in Berkeley, type `lpr -Pprinter filename`, then press **Enter**.

### AS/400

Xerox provides Work Station Customization Object (WSCO) files to support IBM i V6R1 or later. A Work Station Customization Object is a lookup table that the host print transform (HPT) uses to translate AS/400 commands to the equivalent PCL code that is specific to a particular printer. A WSCO file can modify many print features, including: paper input tray, 2-sided printing, characters per inch, lines per inch, orientation, fonts, and margins.

The XTOOLS library provides a source WSCO file for each supported Xerox® printer or device. The library and installation instructions are available from [www.support.xerox.com](http://www.support.xerox.com).

To install the XTOOLS library, select the downloadable files for the IBM AS/400 operating system, unzip the downloaded `XTOOLSxxxx.zip` file, then follow the instructions to install the library. Download and install the library only once.



Note:

- The host print transform works only on AFPDS and SCS files. To use the WSCO for printing, convert IPDS-formatted printer files to AFPDS files.
- Administrator credentials with IOSYSCFG permissions are required to create a device description or a remote queue.
- For details on AS/400, refer to the *IBM AS/400 Printing V, (Red Book)*, available on the IBM website.

### Installing the WSCO Library and Setting Up Print Queues

For detailed instructions on installing the WSCO library and setting up print queues, refer to the installation instructions that are included with the library.

## MOBILE PRINTING OPTIONS

This printer can print from iOS and Android mobile devices.

### Printing Using Wi-Fi Direct

To print a document from a Wi-Fi-enabled mobile device:

1. On the mobile device, open the document that you want to print.
2. In the device application, select the **Print** button.
3. If there is more than one printer in the area with Wi-Fi Direct enabled, select the required printer from the list.
4. Select the print settings required for the job.
5. Submit the job for printing.

A message appears on the mobile device.

6. Select **Connect**.

When the connection is made, a message appears on the printer.

7. At the printer control panel, touch **OK**.

The job prints.

### Printing with AirPrint

You can print directly from your iPhone, iPad, iPod touch, or Mac using AirPrint®. To enable AirPrint® for your printer, refer to [Configuring AirPrint](#).

To print with AirPrint®:

1. Open the email, photograph, webpage, or document that you want to print.
2. Tap the **Action** icon.
3. Tap **Print**.
4. Select your printer, then set the printer options.
5. Tap **Print**.

For more information on configuring and using AirPrint®, refer to the *System Administrator Guide* at [www.xerox.com/office/VLC620docs](http://www.xerox.com/office/VLC620docs).


### Printing with Universal Print



Note: Microsoft Entra ID is the new name for Azure AD. The names Azure Active Directory, Azure AD, and AAD are replaced with Microsoft Entra ID.

To allow users to access the device, the Entra ID or Azure® administrator needs to share the printer in the Microsoft Entra ID portal. After the printer is shared, the **Add Printer** feature enables an authorized user to discover the device in Windows 10 or later. The device appears as the cloud printer in the discovered printers list. To enable Universal Print for your printer, refer to [Configuring a Device for Universal Print](#).


1. To add a printer in Windows® Operating System, do the following:
  - For Windows 10, click **Settings > Printers & scanners > Add a printer or scanner**.
  - For Windows 11 and later, click **Settings > Bluetooth & devices > Printers & scanners > Add a printer or scanner**.
2. Select the cloud printer in the list of discovered printers, then click **Add device**.

 Note: When a print job is submitted to Universal Print, it is queued in the cloud until the printer fetches the job. The printer checks for jobs after the polling interval elapses, or when you initiate the Check For Jobs Now function.

### Setting Up Universal Print on macOS

Universal Print is supported in macOS Ventura 13.3 or later versions. Before you can find and use Universal Print printers from macOS, ensure that you have an active Microsoft Entra ID account and at least one Universal Print eligible license.

 Note: Microsoft Entra ID is the new name for Azure AD. The names Azure Active Directory, Azure AD, and AAD are replaced with Microsoft Entra ID.

1. Install the Universal Print app from the Mac App Store.
  2. To open installed applications, click the **Apple** logo, then click **System Settings**.
  3. Navigate to **Universal Print** in the left navigation menu. Sign in using your Microsoft Entra ID account credentials.
  4. Click **Add Printer**. Select your printer from the list of available printers. You can also search for a specific printer by name or location.
  5. Select your printer, then click **Add**. The printer is now available to use from any application on the device.
-  Note: Installed printers are displayed in the system print dialog for all users on the device. If you do not have permission to use a printer, your print job fails.
6. From any application that supports printing, click **Print** or press **CMD+P** to open the system print dialog.
  7. Select your printer that is registered with Universal Print.
  8. Set the printing attributes, such as number of copies and pages, then click **Print**.

### Printing from a Mopria-Enabled Mobile Device

Mopria is a software feature that enables users to print from mobile devices without requiring a print driver. You can use Mopria to print from your mobile device to Mopria-enabled printers.





## Note:

- Mopria and all of its required protocols are enabled by default.
- Ensure that you have the latest version of the Mopria Print Service software installed on your mobile device. You can obtain a free download of the software from the Google Play Store.
- To connect the printer to Wi-Fi or Wi-Fi Direct, purchase and install the Xerox Wireless Network Adapter. For more information, refer to the Xerox® Dual Band Wireless Kit *Hardware Install and Setup* instructions that are included with the kit.
- To use Wi-Fi Direct, in the Embedded Web Server, enable the Wi-Fi Direct feature. For details on configuring Wi-Fi Direct, refer to the *System Administrator Guide* at [www.xerox.com/office/VLC620docs](http://www.xerox.com/office/VLC620docs).
- To configure the Wireless settings, ensure that devices are connected to the same wireless network as the printer.
- The name and location of your printer appears in a list of Mopria-enabled printers on connected devices.

To print using Mopria, follow the directions that are provided with your mobile device.

## Print Jobs

### MANAGING JOBS

From the control panel Jobs menu, you can view lists of active jobs, secure jobs, or completed jobs. You can pause, delete, print, or view job progress or job details for a selected job. When you send a secure print job, the job is held until you release it by typing a passcode at the control panel. For details, refer to [Printing Special Job Types](#).

From the Jobs window in the Embedded Web Server, you can view a list of active and saved print jobs.

#### Pausing, Promoting, or Deleting a Job Waiting to Print

1. At the printer control panel, press the **Home** button.
2. Touch **Jobs**, then touch the name of the required print job.
3. Select a task.



Note: If you do not make a selection, the job automatically resumes after the set timeout period.

- To pause the print job, touch **Hold**. To resume the print job, touch **Release**.
  - To delete the print job, touch **Delete**. At the prompt, touch **Delete**.
  - To move the job to the top of the list, touch **Promote**.
  - To view the status of the job, touch **Job Progress**.
  - To view information about the job, touch **Job Details**, then touch **Job Settings** or **Required Resources**.
4. To return to the Home screen, press the **Home** button.



Note:

- The system administrator can restrict users from deleting jobs. If a system administrator restricts job deletion, you can view the jobs, but you cannot delete them.
- Only the user that sent the job, or the system administrator, can delete a Secure Print job.

#### Printing a Job Held for Resources

When a job is held for resources, a status message and a pop-up alert appear on the control panel, as default. From the Embedded Web Server, the system administrator can configure whether only a status message appears or both status message and a pop-up alert appear on the control panel.

1. If the pop-up alert is disabled by the system administrator, to view the held jobs, do the following:
  - a. At the printer control panel, press the **Home** button.
  - b. Touch **Jobs**.

A list with active jobs, that are queued for the printer, appears.

2. When the pop-up alert is enabled, if a job is held for resources, a pop-up alert appears on the control panel. On the pop-up alert, touch **View Active Jobs**.

A list with active jobs, that are queued for the printer, appears.

3. From the jobs list, touch the held job name. The following options appear:
  - **Print On Alternate Paper:** To choose an alternative paper source to enable the job to print, touch **Print On Alternate Paper**. Select a paper tray, then touch **OK**.
  - **Delete:** To delete the print job, touch **Delete**. At the prompt, touch **Delete**.
  - **Job Progress:** To view the progress, touch **Job Progress**.
  - **Job Details:** To view the details, touch **Job Details**. At the prompt, you can view the Job Settings and Required Resources.
4. To print the job, replenish the resources required. The job resumes automatically when the required or alternate resources are available.



Note: The **Print On Alternate Paper** option is enabled using the Embedded Web Server. For details about the Print On Alternate Paper option, refer to the *System Administrator Guide* at [www.xerox.com/office/VLC620docs](http://www.xerox.com/office/VLC620docs).

5. To return to the Home screen, press the **Home** button.

## PRINTING SPECIAL JOB TYPES

Special job types allow you to send a print job from your computer, then print it from the printer control panel. Select special job types in the print driver, Printing Options tab, under Job Type.

### Saved Job

Saved Jobs are documents that are sent to the printer and stored there for future use. All users can print or delete a Saved Job.

At the control panel, from the Print From menu, you can view and print saved jobs. In the Embedded Web Server, in the Jobs window, you can view, print, and delete saved jobs, and you can manage where jobs are stored.

### Printing using Saved Job

1. In your software application, access the print settings. For most software applications, press **CTRL+P** for Windows or **CMD+P** for Macintosh.
2. Select your printer, then open the print driver.
  - For Windows, click **Printer Properties**. Depending on your application, the title of the button can vary.
  - For Macintosh, in the Print window, in the print options list, click **Xerox Features**.
3. For Job Type, select **Saved Job**.
  - a. Type a job name or select a name from the list.
  - b. Type a folder name or select a name from the list.
  - c. To add a passcode, click **Private**, type the passcode, then confirm the passcode.
  - d. Click **OK**.
4. Select other required printing options.
  - For Windows, click **OK**, then click **Print**.
  - For Macintosh, click **Print**.

### Print, Delete, Move, or Copy a Saved Job in the Embedded Web Server

1. At your computer, open a Web browser. In the address field, type the IP address of the printer, then press **Enter** or **Return**.
2. In the Embedded Web Server, click **Home**.
3. Click **Jobs**.
4. Click the **Saved Jobs** tab.
5. For the job that you want to process, select the check box.
6. From the menu, select an option.
  - **Print Job:** This option prints a job immediately.
  - **Delete Job:** This option deletes the saved job.
  - **Move Job:** Use this option to move the job to another folder location.
  - **Copy Job:** Use this option to duplicate the job.
7. Click **Go**.

### Secure Print

Use Secure Print to print sensitive or confidential information. After you send the job, it is held at the printer until you enter your passcode at the printer control panel.

After a Secure Print job is printed, it is deleted automatically.

### Printing using Secure Print

1. In your software application, access the print settings. For most software applications, press **CTRL+P** for Windows or **CMD+P** for Macintosh.
2. Select your printer, then open the print driver.
  - For Windows, click **Printer Properties**. Depending on your application, the title of the button varies.
  - For Macintosh, in the Print window, click **Preview**, then select **Xerox Features**.
3. For Job Type, select **Secure Print**.
4. Type the passcode, confirm the passcode, then click **OK**.
5. Select any other required printing options.
  - For Windows, click **OK**, then click **Print**.
  - For Macintosh, click **Print**.

### Releasing a Secure Print Job

1. At the printer control panel, press the **Home** button.
2. Touch **Jobs**.
3. To view Secure Print jobs, touch **Secure Jobs**.

4. Do one of the following:
  - If you submitted a single Secure Print job, touch the folder, then touch the job. Enter the passcode number, then touch **OK**. The job prints automatically.
  - If you submitted multiple Secure Print jobs, touch the folder, enter the passcode number, then touch **OK**. Select an option:
    - To print a single Secure Print job, touch the job required.
    - To print all the jobs in the folder, touch **Print All**.
    - To delete a single Secure Print job, touch the **Trash** icon. At the prompt, touch **Delete**.
    - To delete all the jobs in the folder, touch **Delete All**.



Note: After a Secure Print job prints, the printer deletes it automatically.

5. To return to the Home screen, press the **Home** button.



Note: You can send and release a secure print job through Universal Print. For more information, refer to the *System Administrator Guide* at [www.xerox.com/office/VLC620docs](http://www.xerox.com/office/VLC620docs).

### Sample Set

The Sample Set job type prints one copy of a multiple-copy print job before printing the remaining copies. After reviewing the sample set, you can either print the remaining copies or delete them at the printer control panel.

Sample Set is a type of saved job with these features:

- A Sample Set job appears in a folder named after the user ID associated with the print job.
- A Sample Set job does not use a passcode.
- Any user can print or delete a Sample Set job.
- A Sample Set prints one copy of a job to allow you to proofread the job before printing any remaining copies.

After a Sample Set job is printed, it is deleted automatically.

To print a Sample Set, refer to [Printing using Sample Set](#).

### Printing using Sample Set

1. In your software application, access the print settings. For most software applications, press **CTRL+P** for Windows or **CMD+P** for Macintosh.
2. Select your printer, then open the print driver.
  - For Windows, click **Printer Properties**. Depending on your application, the title of the button varies.
  - For Macintosh, in the Print window, click **Preview**, then select **Xerox Features**.
3. For Job Type, select **Sample Set**.
4. Select any other required printing options.
  - For Windows, click **OK**, then click **Print**.
  - For Macintosh, click **Print**.

### Releasing a Sample Set

1. At the printer control panel, press the **Home** button.
2. To view available jobs, touch **Jobs**.
3. Touch the Sample Set job.



Note: The Sample Set file description shows the job as Held for Future Printing, and shows the number of remaining copies of the job.

4. Select an option.
  - To print the remaining copies of the job, touch **Release**.
  - To delete the remaining copies of the job, touch **Delete**.
5. To return to the Home screen, press the **Home** button.

## Printing Features

### SELECTING PAPER OPTIONS FOR PRINTING

There are two ways to select the paper for your print job. You can let the printer select which paper to use based on the document size, paper type, and paper color you specify. You can also select a specific tray loaded with the desired paper.

- To locate paper options in Windows, in the print driver, click the **Printing Options** tab.
- To locate paper options on Macintosh, in the Print window, in the print options list, click **Xerox Features**. Within Xerox Features, in the options list, click **Paper/Output**.

### Select By Tray

Use Select By Tray to print from a specific tray without specifying paper attributes in the print driver or at the printer control panel. This option prints the job from the selected tray, even when more than one tray contains the correct paper for the job.

The following options are available:

- **Automatically Select:** This option prints from any tray that is loaded with the size and type of paper that is required for the print job.
- **Tray X:** This option prints from the selected tray.
- **Bypass Tray:** This option prints from the manual-feed tray. The printer prompts you to remove any other paper from the tray and load the paper that is required for your job.



Note: To prevent paper jams, load the trays with the correct size and type of paper for the print job.

### Scaling

Scaling reduces or enlarges the original document to match the selected output paper size.

- For Windows, the scale options are on the Printing Options tab, in the Paper field.
- For Macintosh, the scale options are in the Print window. To view more printing options, click **Show Details**.



Note: Not all options described are supported on all printers. Some options apply only to a specific printer model, configuration, operating system, or print driver type.

The following scaling options are available:

- **Fit to New Paper Size:** This option scales the document to fit the new paper size.
- **Change Document Size:** Use this setting to match the paper size selected in your application. This option does not change the size of the page image printed on the output paper.
- **Automatically Scale:** This option scales the document to fit the selected Output Paper Size. The scaling amount appears in the percentage box below the sample image.
- **No Scaling:** This option does not change the size of the page image printed on the output paper, and 100% appears in the percentage box. If the original document size is larger than the output size, the page image is

cropped. If the original document size is smaller than the output size, extra space appears around the page image.

- **Manually Scale:** This option scales the document by the amount entered in the percentage box below the preview image.

## PRINTING ON BOTH SIDES OF THE PAPER

### Printing a 2-Sided Document

If your printer supports Automatic 2-Sided Printing, the options are specified in the print driver. The print driver uses the settings for portrait or landscape orientation from the application for printing the document.

 Note: Ensure that the paper size and weight are supported. For more information, refer to [Supported Paper](#).

### 2-Sided Page Layout Options

You can specify the page layout for 2-Sided printing, which determines how the printed pages turn. These settings override the application page orientation settings.

- **1-Sided Print:** This option prints on one side of the media. Use this option when printing on envelopes, labels, or other media that cannot be printed on both sides.
- **2-Sided Print:** This option prints the job on both sides of the paper to allow binding on the long edge of the paper. The following illustrations show the result for documents with portrait and landscape orientations, respectively:



- **2-Sided Print, Flip on Short Edge:** This option prints on both sides of the paper. The images print to allow binding on the short edge of the paper. The following illustrations show the result for documents with portrait and landscape orientations, respectively:



 Note: 2-Sided Printing is part of the Earth Smart settings.

To change your default print driver settings, refer to [Selecting Printing Options](#).

## XEROX BLACK AND WHITE

You can select printing in color or black and white.

- **Off (use Document Color):** Use this option to print in color.
- **On:** Use this option to print in black and white.



## PRINT QUALITY

The Windows PostScript (PS) print driver, PCL, and the Macintosh print drivers provide the highest print-quality modes:

- **High Resolution:** 1200 x 1200 dpi, 1-bit depth. This mode provides the best overall image quality for detailed line drawings, such as CAD files. High Resolution is recommended for printing vibrant, saturated, color prints, or photos. Print jobs can take longer to process when printed using High-Resolution mode.
- **Enhanced:** 600 x 600 dpi, 8-bit depth. This mode is used for better print quality, and is the best mode to use for business presentations.

## IMAGE OPTIONS

Image options control the way the printer uses color to produce your document. The Windows PostScript (PS) print driver and the Macintosh print drivers provide the widest range of color controls and corrections on the Image Options tab.

- To locate color options in Windows, in the print driver, click the **Image Options** tab.
- To locate color options on Macintosh, in the Print window, in the print options list, click **Xerox Features**. Within Xerox Features, in the options list, click **Color Options**.

### Color Correction

Color Correction matches printer colors on PostScript jobs to colors on other devices, such as your computer screen or a printing press.

Color Correction options:

- **Xerox Black and White:** This option converts all color in the document to black and white, or shades of gray.
- **Xerox Automatic Color:** This option applies the best color correction to text, graphics, and images. Xerox recommends this setting.

There are more Color Correction options that include Vivid RGB.



Note: These options are not available in PCL print drivers.

### Color Adjustments

Use Color Adjustments to adjust particular characteristics of the printed color. Characteristics include lightness, contrast, saturation, and color cast.



Note: Not all options listed are supported on all printers. Some options apply only to a specific printer model, configuration, operating system, or driver type.

The following options are available:

- **Lightness:** The Lightness feature allows you to adjust the overall lightness or darkness of the text and images in your printed job.
- **Contrast:** You can use the Contrast feature to adjust the variation between light and dark areas of the print job.
- **Saturation:** The Saturation feature allows you to adjust the color strength and the amount of gray in the color.

- **Color Cast:** Use the Color Cast settings to adjust the amount of a selected color in the print job and preserve lightness. The following settings are available:
  - The Cyan to Red slider allows you to adjust the color balance between cyan and red. For example, when you increase the cyan levels, the red levels decrease.
  - The Magenta to Green slider allows you to adjust the color balance between magenta and green. For example, when you increase the magenta levels, the green levels decrease.
  - The Yellow to Blue slider allows you to adjust the color balance between yellow and blue. For example, when you increase the yellow levels, the blue levels decrease.



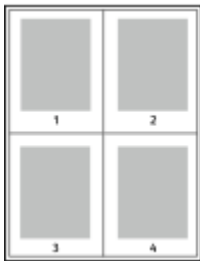
Note: These options are not available in PCL print drivers.

### PRINTING MULTIPLE PAGES TO A SINGLE SHEET

When printing a multiple-page document, you can print more than one page on a single sheet of paper.

To print 1, 2, 4, 6, 9, or 16 pages per side, on the Page Layout tab, select **Pages Per Sheet**.

- To locate Pages Per Sheet in Windows, on the Document Options tab, click **Page Layout**.
- To locate Pages Per Sheet on Macintosh, in the Print window, in the print options list, click **Layout**.



To print a border around each page, select **Page Borders**.

### PRINTING BOOKLET LAYOUT

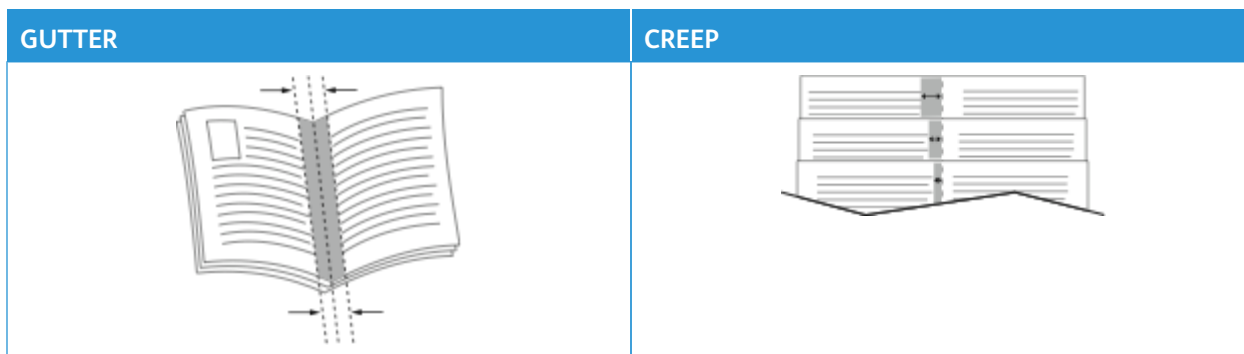
With 2-sided printing, you can print a document in the form of a small booklet. You can create booklets from any paper size that is supported for 2-sided printing.


The print driver automatically reduces each page image and prints four-page images per sheet of paper, two-page images on each side. The pages are printed in the correct order so that you can fold and staple the pages to create the booklet.

- To locate booklet creation in Windows, on the Document Options tab, click **Page Layout**.
- To locate booklet creation on Macintosh, in the Print window, in the print options list, click **Xerox Features**. Within Xerox Features, in the options list, click **Booklet Layout**.

When you print booklets using the Windows PostScript or Macintosh driver, you can specify the gutter and creep.

- **Gutter:** Specifies the horizontal distance in points between the page images. A point is 0.35 mm (1/72 in.).
- **Creep:** Specifies how much the page images shift outward in tenths of a point. Shifting compensates for the thickness of the folded paper, which can cause the page images to shift outward slightly when folded. You can select a value from 0 to 1 point.



 Note: To print a border around each page, select **Page Borders**.

## USING SPECIAL PAGES

The Special Pages options control how covers, inserts, and exception pages are added to your printed document.

- To locate Special Pages in Windows, on the Document Options tab, click **Special Pages**.
- To locate Special Pages on Macintosh, in the Print window, in the print options list, click **Xerox Features**. Within Xerox Features, in the options list, click **Special Pages**.

### Printing Cover Pages

A cover page is the first or last page of a document. You can select paper sources for the cover pages that are different from the source used for the body of a document. For example, you can use your company letterhead for the first page of a document. You can use heavyweight paper for the first and last pages of a report. You can use any applicable paper tray as the source for printing cover pages.

In the Covers window, the following options are available:

- **No Covers or Disabled:** This option does not print cover pages. No cover pages are added to the document.
- **Front Only:** This option allows you to add a blank or printed front cover to your job.
- **Back Only:** This option allows you to add a blank or printed back cover to your job.
- **Front and Back: Same:** This option adds a front and back cover to your job, and applies the same printing and paper settings for both covers.
- **Front and Back: Different:** This option adds a front and back cover to your job, and allows you to select different printing and paper settings for each cover.

After you make a selection for printing the cover pages, you can select the paper for the front and back covers by size, color, or type. You can use blank or pre-printed paper, and you can print side one, side two, or both sides of the cover pages.

### Printing Insert Pages

You can add blank or pre-printed insert pages before page one of each document or after designated pages within a document. The addition of an insert after designated pages within a document separates sections, or acts as a marker or placeholder. Ensure that you specify the paper to use for the insert pages.

In the Inserts window, you can set the location, characteristics, and paper settings for the insert pages:

- **Inserts:** This option allows you to select where to place the insert.
- **Quantity:** Use this option to specify the number of pages to insert at each location.
- **Pages:** Use this option to specify where to place the inserts within the job. Separate individual pages or page ranges with commas. Specify pages within a range with a hyphen. For example, to specify pages 1, 6, 9, 10, and 11, type 1, 6, 9–11.
- **Paper Settings:** This option allows you to select the paper size, color, and type to use for the insert pages. To use the same paper size, color, or type as the main body of the job, select **Use Job Setting**.

### Printing Exception Pages

Exception pages have different settings from the rest of the pages in the job. You can specify differences, such as page size, page type, and page color. You can change the side of the paper on which to print as your job requires. A print job can contain multiple exceptions.

For example, your print job contains 30 pages. You want five pages to print on only one side of a special paper, and the remainder of the pages printed 2-sided on regular paper. You can use exception pages to print the job.

In the Exceptions window, you can set the location, characteristics, and paper settings for the exception pages:

- **Pages:** Specifies the page or range of pages that use the exception page characteristics. Separate individual pages or page ranges with commas. Specify pages within a range with a hyphen. For example, to specify pages 1, 6, 9, 10, and 11, type 1, 6, 9–11.
- **Paper Settings:** Allows you to select the paper size, color, and type to use for the exception pages. To print exception pages on the same paper size, color, or type as the main body of the job, select **Use Job Setting**.
- **2-Sided Printing:** Allows you to select 2-sided printing options for the exception pages. Available options are:
  - **1-Sided Print:** Prints the exception pages on one side only.
  - **2-Sided Print:** Prints the exception pages on both sides of the paper and flips the pages on the long edge. You can bind the job on the long edge of the pages.
  - **2-Sided Print, Flip on Short Edge:** Prints the exception pages on both sides of the paper and flips the pages on the short edge. You can bind the job on the short edge of the pages.
  - **Use Job Setting:** Prints the job using the same 2-Sided Printing setting that is selected for the main body of the job.



Note: Some combinations of 2-sided printing with certain paper types and sizes can produce unexpected results.

## PRINTING ANNOTATIONS FOR WINDOWS

An annotation is special-purpose text or an image that you can print across one or more pages. You can preview annotations in the Annotations Preview pane.

The annotations setup for your print job



Note:

- This feature is available only on a Windows computer printing to a network printer.
- Not all options listed are supported on all printers. Some options apply only to a specific printer model, configuration, operating system, or print driver type.

appears in the Annotations summary list. From this list, you can select an annotation to edit or delete.

To print an annotation:

1. In the print driver, click the **Document Options** tab.
2. Click the **Annotations** tab.
3. To add a text annotation, click **Add Comment**. Enter the text in the field, select the required settings, then click **OK**.
4. For a date or time stamp, click **Add Time Stamp**. Specify the date and time option, select the required settings, then click **OK**.
5. To add a picture annotation, click **Add Picture**. To locate the picture, click the **Browse** icon. Select the required settings, then click **OK**.
6. For each annotation, the following options are available:
  - To specify the font, click the **Font** button.
  - For a picture annotation, select the scaling option that specifies the size of the picture in relation to the original image. Use the arrows to scale the image in increments of 1 %.
  - To define the angle of the annotation on the page, specify the position option. Or, to rotate the annotation left or right by increments of 1, use the arrows.
  - To define the location of the annotation on the page, specify the position option. Or, to move the annotation in each direction in increments of 1, use the arrows.
  - To adjust the transparency of the annotation, move the slider. To increase transparency, move the slider to the right, or to decrease transparency, move the slider to the left.
  - For Layering, select an option:
    - **Print in Background**: This option prints the annotation behind the text and graphics in the document.
    - **Print in Foreground**: This option prints the annotation over the text and graphics in the document.
  - For Pages, select the pages to print the annotation:
    - **Print on All Pages**: This option prints the annotation on all pages of your document.
    - **Print on Page 1 Only**: This option prints the annotation only on the first page of the document.
7. To save the annotation, click the **Save Annotation** icon.
8. To load a previously saved annotation, click the **Load Annotation** icon.

9. Click **OK**.

## PRINTING WATERMARKS FOR WINDOWS

A watermark is special purpose text that can be printed across one or more pages. For example, you can add a word like Copy, Draft, or Confidential as a watermark instead of stamping it on a document before distribution.



Note:

- This feature is available only on a Windows computer printing to a network printer.
- Not all options listed are supported on all printers. Some options apply only to a specific printer model, configuration, operating system, or print driver type.
- Watermarks are not supported for some print drivers when booklet is selected or when more than one page is printed on a sheet of paper.

To print a watermark:

1. In the print driver, click the **Document Options** tab.
2. Click the **Watermark** tab.
3. From the Watermark menu, select the watermark. You can choose from preset watermarks, or create a customized watermark. You can also manage watermarks from this menu.
4. Under Text, select an option:
  - **Text:** Enter the text in the field, then specify the font.
  - **Time Stamp:** Specify the date and time options, then specify the font.
  - **Picture:** To locate the picture, click the Browse icon.
5. Specify the scaling angle and position of the watermark.
  - Select the scaling option that specifies the size of the picture in relation to the original image. Use the arrows to scale the image in increments of 1 %.
  - To define the angle of the image on the page, specify the position option, or to rotate the image left or right by increments of 1, use the arrows.
  - To define the location of the image on the page, specify the position option, or to move the image in each direction in increments of 1, use the arrows.
6. Under **Layering**, select how to print the watermark.
  - **Print in Background** prints the watermark behind the text and graphics in the document.
  - **Blend:** This option combines the watermark with the text and graphics in the document. A blended watermark is translucent, so you can see both the watermark and the document content.
  - **Print in Foreground** prints the watermark over the text and graphics in the document.
7. Click **Pages**, then select the pages to print the watermark:
  - **Print on All Pages** prints the watermark on all pages of your document.
  - **Print on Page 1 Only** prints the watermark only on the first page of the document.
8. If you select a picture as a watermark, specify the lightness settings for the image.

9. Click **OK**.

## ORIENTATION

Orientation allows you to select the direction that the page prints.

- To locate orientation options in Windows, on the Document Options tab, click **Orientation**.



Note: The orientation setting in your application print dialog box can override the orientation options in the print driver.

- To locate orientation options on Macintosh, in the Print window, click **Show Details**.

The following options are available:

- **Portrait**: Orients the paper so that the text and images print across the short dimension of the paper.



- **Landscape**: Orients the paper so that the text and images print across the long dimension of the paper.



- **Rotated Landscape**: Orients the paper so that the content is rotated 180 degrees and with the long bottom side up.



Note: For Macintosh, to print portrait text and images in landscape orientation, clear the Auto Rotate check box.

## ADVANCED PRINTING OPTIONS

You can use the Advanced option or tab to set advanced printing options. Advanced printing selections apply to all jobs that you print with the print driver.



Note: Not all options listed are supported on all printers. Some options apply only to a specific printer model, configuration, operating system, or print driver type.

### Job Identification

You can use the Job ID feature to change the job identification setting for your print job. You can print the job identification on a separate banner page or on the pages of your document.

The following options are available:

- **Disable Job ID**: This option directs the printer not to print a banner page.
- **Print ID on a Banner Page**: This option prints the job identification on a banner page.
- **Print ID in Margins - First Page Only**: This option prints the job identification on the first page of the document in the top-left margin.

- **Print ID in Margins - All Pages:** This option prints the job identification in the top-left margin on every page of the document.

### Printing Mirror Images

If the PostScript driver is installed, you can print pages as a mirror image. Images mirror left to right when printed.

### Job Notification for Windows

You can select to be notified when your job finishes printing. A message appears on your computer screen with the name of the job and the name of the printer where it was printed.



Note: This feature is only available on a Windows computer that is printing to a network printer.

The following options are available:

- **Notify for Completed Jobs:** This option provides a notification when the job has completed.
- **Notify for Completed, but Altered Jobs:** This option provides a notification on all jobs that completed with restrictions.
- **Notify for Failed or Canceled Jobs:** This option provides notification of all jobs that failed to print or were canceled.
- **Play Alert Tone:** This option sounds an alert tone when a notification appears.

### Document Encryption for Windows Print Jobs


You can select encryption for your print job. The print file is encrypted before it is transmitted to the printer. The print file is decrypted before it is printed.

This feature is available only when Document Encryption is set to Manually Encrypt Documents in the printer properties of the printer. For details, refer to [Setting Encryption Defaults in Windows](#).



Note: This feature is available on a Windows computer that is printing to a network printer. It applies to the PostScript and PCL print drivers.

### Setting Encryption Defaults in Windows

1. Navigate to the list of printers on your computer:
    - For Windows Server 2012 and later, click **Start > Settings > Printers**.
    - For Windows 10, click the Windows **Start > Settings > Devices > Printers & Scanners**.
    - For Windows 11 and later, click **Start > Settings > Bluetooth & devices > Printers & scanners**.
-  Note: If the Control Panel icon does not appear on the desktop, right-click the desktop, then select **Personalize**. Select **Control Panel Home > Devices and Printers**.
2. For your printer, select **Printing properties**:
    - For Windows Server 2012 and later, right-click the icon for your printer, then click **Printer properties**.
    - For Windows 10, click the icon for your printer, then click **Manage > Printer properties**.
    - For Windows 11 and later, click the icon for your printer, then click **Printing preferences**.



3. In the Printer Properties dialog box, click the **Administration** tab.
4. For Configurations, click **Document Encryption**, then select an option:
  - **Disabled:** This option disables encryption for all documents that you send to the printer.
  - **Encrypt All Documents:** This option encrypts all documents that you send to the printer.
  - **Manually Encrypt Documents:** This option allows you to set encryption for specific jobs that you send to the printer.



Note: Manually Encrypt Documents is the default printer setting.

5. Click **Apply**.
6. To save the settings, click **OK**.

## Using Custom Paper Sizes

You can print on custom paper sizes that are within the minimum and maximum size range supported by the printer. For details, refer to [Supported Paper](#).

### DEFINING CUSTOM PAPER SIZES

To print on custom paper sizes, define the custom width and length of the paper in the print driver software and on the printer control panel. When setting the paper size, ensure that you specify the same size as the paper in the tray. Setting the wrong size can cause a printer error. Print driver settings override control panel settings when you print using the print driver software on your computer.

#### Creating and Saving Custom Paper Sizes in the Print Driver

Custom-size paper settings are saved in the print driver and are available for you to select in all your applications.

For details on supported paper sizes for each tray, refer to [Supported Paper](#).

For further details about creating and saving custom paper sizes in the print driver, click the **Help (?)** button in the bottom-left corner of the printer settings window.

#### Creating and Saving Custom Sizes for the Windows V3 Print Driver

1. In the print driver, click the **Printing Options** tab.
2. For Paper, click the arrow, then select **Other Size > Advanced Paper Size > Output Paper Size > New**.
3. In the New Custom Paper Size window, enter the height and width of the new size.
4. To specify the units of measurement, at the bottom of the window, click **Measurements**, then select **Inches** or **Millimeters**.
5. To save, in the Name field, type a title for the new size, then click **OK**.

#### Creating and Saving Custom Sizes for the Windows V4 Print Driver

1. From Windows Control Panel, select **Devices and Printers**.
2. Select the printer, then click **Print server properties**.
3. On the Forms tab, for Create a new form, click the check box.
4. For Form name, type a name for the new paper size.
5. In the Form description (measurements) area, enter the settings:
  - For Units, select **Metric** or **English**.
  - For Paper size, enter measurements for Width and Height.
  - For Printer area margins, enter measurements for Left, Right, Top, and Bottom.



Note: Ensure that the measurements that you specify are within the supported ranges for the device.

6. Click **OK**.

The new paper size is added to the paper size list.

### Creating and Saving Custom Sizes for Macintosh

1. In the application, click **File > Print**.
2. Click **Paper Size**, then select **Manage Custom Sizes**.
3. To add a new size, in the Manage Paper Sizes window, click the plus sign ( **+**).
4. Double-click **Untitled**, then type a name for the new custom size.
5. Enter the height and width of the new custom size.
6. Click the arrow for the Non-Printable Area field, then select the printer from the list. Or, for User Defined margins, set the top, bottom, right, and left margins.
7. To save the settings, click **OK**.

### Defining a Custom Paper Size at the Control Panel

You can print custom-size paper from Trays 1–5 and Bypass Tray. If Trays 1–5 are set to Fully Adjustable mode, you can print custom-size paper from Trays 1–5. The Bypass tray is always set to Adjustable mode. Custom-size paper settings are saved in the print driver and are available for you to select in all your applications.



Note: To configure the tray settings for Fully Adjustable or Dedicated mode, refer to [Configuring Paper Tray Settings](#).

1. Open the paper tray, then load the custom-size paper.
2. Close the tray.
3. At the control panel, to define the new paper size, touch **Size**, then touch **Custom**.
4. In the Custom Paper Size window, enter the height and width of the new paper size, then touch **OK**.
5. To confirm the settings, touch **Confirm**.

### PRINTING ON CUSTOM-SIZE PAPER



Note: Before you print on custom-size paper, define the custom width and length of the paper in the print driver software and on the printer control panel. For more information, refer to [Defining Custom Paper Sizes](#).

### Printing on Custom-Size Paper from the Windows V3 Print Driver



Note: Before you print on custom-size paper, define the custom size in the Printer Properties. For details, refer to [Creating and Saving Custom Sizes for the Windows V3 Print Driver](#).

1. Load the custom-size paper in the tray.
2. In the application, click **File > Print**, then select your printer.
3. In the Print dialog box, click **Printer Properties**.
4. On the Printing Options tab, from the Paper list, select the required custom paper size and type.
5. Select any other required options, then click **OK**.
6. In the Print dialog box, click **Print**.

### Printing on Custom-Size Paper from the Windows V4 Print Driver



Note: Before you print on custom-size paper, define and save the custom paper size as a Form. For details, refer to [Creating and Saving Custom Sizes for the Windows V4 Print Driver](#).

1. Load the custom-size paper in the tray.
2. In the application, click **File > Print**, then select your printer.
3. In the Print dialog box, click **Printer Properties**.
4. On the Printing Options tab, from the Paper list, select **Other Size**.
5. To select a custom paper size, select **Fit to New Paper Size**, then select the custom paper size.
6. Select any other required options, then click **OK**.
7. In the Print dialog box, click **Print**.


### Printing on Custom-Size Paper from Macintosh

1. Load the custom-size paper. For details, refer to [Loading Paper](#).
2. In the application, click **File > Print**.
3. From the Paper Size list, select the custom paper size.
4. Click **Print**.

## Print From

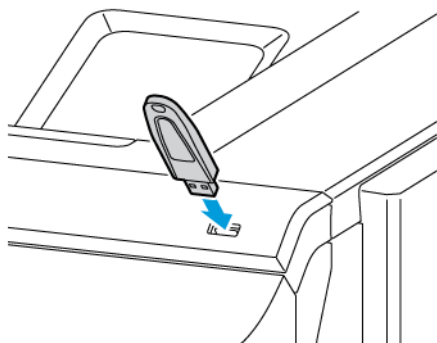
### PRINTING FROM A USB FLASH DRIVE

You can print single or multiple files stored on a USB Flash drive. The USB port is on the front of the printer.

 Note: Only USB Flash drives formatted to FAT16, FAT32, and exFAT file systems are supported. exFAT support is a licensed feature that requires a purchased FIK.

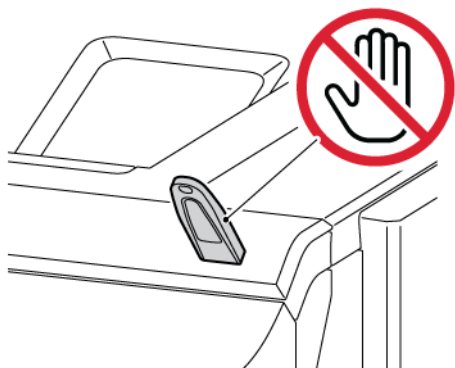
To print from a USB Flash drive:


1. Insert the USB Flash drive into the USB port on the printer.



2. At the USB Drive Detected screen, touch **Print from USB**.

**Warning:** To avoid loss of data or printer malfunction, do not touch the flash drive or the printer in the area shown while actively printing, reading, or writing from the memory device.



 Note: If the Print from USB feature does not appear, enable the feature or contact your system administrator. For details, refer to the *System Administrator Guide* at [www.xerox.com/office/VLC620docs](http://www.xerox.com/office/VLC620docs).

3. To select a file for printing, browse the file, then touch the check box. If multiple files require printing, browse each file, then select the check box for each file.
4. Touch **OK**.  
A list of files selected for printing appears.

- To remove files from the printing list:
  - To remove a single file, touch the file, then select **Remove**. To confirm removal, touch **Remove**.
  - To remove all the files, touch a file, then select **Remove All**. To confirm removal, touch **Remove All**.
- Adjust the feature settings as needed.
- Touch **Print**.
- When you are finished, remove the USB Flash drive.
- To return to the Home screen, press the **Home** button.

### PRINTING FROM SAVED JOBS

To print from saved jobs:

- At the control panel, press the **Home** button, then touch **Print From**.
- Touch **Saved Jobs**, then touch the name of the folder that contains the saved job.
- Touch the name of the saved job that you want to print.
- Select the options for paper supply, quantity, 2-Sided printing, and finishing.
- Touch **Print**.



Note: To print a private saved job, at the Passcode Required screen, enter the passcode, then touch **OK**.

- To print another saved job, touch the current job name, then touch **Remove**. Touch **Add Document**, touch **Saved Jobs**, then navigate to the job required.
- To return to the Home screen, press the **Home** button.

### PRINTING FROM THE EMBEDDED WEB SERVER

You can print various file types, such as .txt, .pdf, .ps, and .pcl files directly from the Embedded Web Server without the need of another application or the print driver. You can store files on a local computer hard drive, mass storage device, or network drive.

To print from the Embedded Web Server:

- At your computer, open a Web browser. In the address field, type the IP address of the printer, then press **Enter** or **Return**.



Note: For details about obtaining the IP address of your printer, refer to [Finding the IP Address of Your Printer](#).

- In the Embedded Web Server, click the **Print** tab.
- To select the file from a local network or remote location, for File Name, click **Browse**. Select the file, then click **Open**.

4. For Printing, select the required options for the job.
  - **Normal Print** prints a job immediately.
  - **Secure Print** prints a job after you enter your passcode at the printer control panel.
  - **Sample Set**, or proof print, prints one copy of a multiple-copy print job and holds the remaining copies at the printer.
  - **Save Job for Reprint** saves a print job in a folder on the print server for future printing. You can specify a job name and folder.
  - **Delay Print** prints a job at a specified time up to 24 hours from the original job submission.
5. If accounting is enabled, enter your User ID and account information.
6. Click **Submit Job**.



Note: To ensure that the job was sent to the queue, wait for the job submission confirmation message to appear before you close this page.





# Paper and Media

This chapter contains:

Paper and Media Overview .....	146
Supported Paper .....	147
Configuring Paper Tray Settings.....	153
Loading Paper .....	155
Printing on Special Paper .....	162

## Paper and Media Overview

The highest configuration of Xerox® VersaLink® C620 Color Single Function Printer can have up to six paper trays:

- Tray 1: Standard 550-sheet Tray with an integrated 100-sheet Bypass Tray. Tray 1 can be configured as dedicated or adjustable paper tray for loading a range of paper sizes.
- Bypass Tray: The 100-sheet Bypass Tray is a part of Tray 1, located in the front. Bypass Tray cannot be set to Dedicated mode. By default, it is an adjustable paper tray. You can load all types of media in Bypass Tray, but in small amounts.
- Trays 2, 3, 4, and 5: Optional 550-sheet Trays. For Multiple 550-sheet Tray configuration, Trays 2, 3, 4, and 5 can be configured as dedicated or adjustable paper trays that are similar to Tray 1.

The printer can use various media types, such as plain, recycled, or colored paper, letterhead, pre-printed paper, cardstock, labels, and envelopes. Ensure that you use the correct media for the tray that you are loading. Bypass Tray is only for loading small amounts of standard and custom paper. For details on supported paper types and weights, refer to [Supported Paper Types and Weights](#).



**Caution:** 2-Sided Printing is not allowed for paper types such as Glossy Cardstock, Envelopes, and Labels. It can cause misfeeds and other print problems.

Labels inside each tray show the correct orientation for loading certain types of media. The MAX label shows the maximum fill line for the tray.

## Supported Paper

Your printer is designed to use various paper and other media types. To ensure the best print quality and to avoid jams, follow the guidelines in this section.

For best results, use Xerox paper and media recommended for your printer.

### RECOMMENDED MEDIA

A list of paper and media recommended for your printer is available at:

- [www.xerox.com/rmlna](http://www.xerox.com/rmlna) Recommended Media List (United States)
- [www.xerox.com/rmleu](http://www.xerox.com/rmleu) Recommended Media List (Europe)

### ORDERING PAPER

To order paper and other media, contact your local reseller or go to [www.xerox.com/office/supplies](http://www.xerox.com/office/supplies).

### GENERAL PAPER LOADING GUIDELINES

- Do not overfill the paper trays. Do not load paper above the maximum fill line in the tray.
- Adjust the paper guides to fit the paper size.
- Fan paper before loading it in the paper tray.
- If excessive jams occur, use paper or other approved media from a new package.
- Do not print on label media once a label has been removed from a sheet.
- Use only paper envelopes. Print envelopes 1-sided only.

### PAPER THAT CAN DAMAGE YOUR PRINTER

Some paper and other media types can cause poor output quality, increased paper jams, or damage your printer. Do not use the following:

- Rough or porous paper
- Inkjet paper
- Non-laser glossy or coated paper
- Paper that has been photocopied
- Paper that has been folded or wrinkled
- Paper with cutouts or perforations
- Stapled paper
- Envelopes with windows, metal clasps, side seams, or adhesives with release strips
- Padded envelopes
- Plastic media

**Warning:** The Xerox Warranty or Service Agreement does not cover damage caused by using unsupported paper or specialty media. For more information, contact your local Xerox representative.

## PAPER STORAGE GUIDELINES

Storing your paper and other media properly contributes to optimum print quality.

- Store paper in dark, cool, relatively dry locations. Most paper is susceptible to damage from ultraviolet and visible light. Ultraviolet light, from the sun and fluorescent bulbs, is particularly damaging to paper.
- Reduce the exposure of paper to strong lights for long periods of time.
- Maintain constant temperatures and relative humidity.
- Avoid storing paper in attics, kitchens, garages, or basements. These spaces are more likely to collect moisture.
- Store paper flat, either on pallets, cartons, shelves, or in cabinets.
- Avoid food or drinks in the area where paper is stored or handled.
- Do not open sealed packages of paper until you are ready to load them into the printer. Leave stored paper in the original packaging. The paper wrapper protects the paper from moisture loss or gain.
- Some special media is packaged inside resealable plastic bags. Store the media inside the bag until you are ready to use it. Keep unused media in the bag and reseal it for protection.

## PAPER CHARACTERISTICS

The following paper characteristics affect print quality and reliability. Consider these factors before printing on them.

### Weight

Trays can feed paper of varying weights. Paper lighter than 60 g/m<sup>2</sup> (16 lb.) may not be stiff enough to feed properly, and may cause jams.

### Curl

Curl is the tendency for paper to curl at its edges. Excessive curl can cause paper feeding problems. Curl can occur after the paper passes through the printer, where it is exposed to high temperatures. Storing paper unwrapped in hot, humid, cold, or dry conditions can contribute to paper curling before printing and can cause feeding problems.

### Smoothness

Paper smoothness directly affects print quality. If paper is too rough, toner cannot fuse to it properly. If paper is too smooth, it can cause paper feeding or print quality issues. We recommend the use of paper with 50 Sheffield points.

### Moisture Content

The amount of moisture in paper affects both print quality and the printer ability to feed the paper correctly. Leave paper in its original wrapper until you use it. Exposure of paper to moisture changes can degrade its performance.

Before printing, store paper in its original wrapper in the same environment as the printer for 24–48 hours. The environment in which the paper is stored must be the same as the printer. Extend the time by several days if the storage or transportation environment is significantly different from printer environment. Thick paper may also require a longer conditioning period.

### Grain Direction

Grain refers to the alignment of the paper fibers in a sheet of paper. Grain is either grain long, running the length of the paper, or grain short, running the width of the paper.


### Fiber Content


Most high-quality xerographic paper is made from 100% chemically treated pulped wood. This content provides the paper with a high degree of stability, resulting in fewer paper feeding problems and better print quality. Paper containing fibers such as cotton can negatively affect paper handling.

## SUPPORTED PAPER TYPES AND WEIGHTS

MEDIA TYPE AND WEIGHT	STANDARD 550+100 SHEET TRAY		OPTIONAL 550-SHEET TRAY (TRAY 2, 3, 4 AND 5)	2-SIDED PRINTING
	550-SHEET TRAY (TRAY 1)	BYPASS TRAY		
<b>Plain</b> (75–90 g/m <sup>2</sup> )	✓	✓	✓	✓
<b>Hole Punched</b> (75–90 g/m <sup>2</sup> )	✓	✓	✓	✓
<b>Letterhead</b> (75–105 g/m <sup>2</sup> )	✓	✓	✓	✓
<b>Lightweight Cardstock</b> (120–162 g/m <sup>2</sup> )	✓	✓	✓	✓
<b>Cardstock</b> (163–200 g/m <sup>2</sup> )	✓	✓	✓	x
<b>Recycled</b> (75–90 g/m <sup>2</sup> )	✓	✓	✓	✓
<b>Bond</b> (75–105 g/m <sup>2</sup> )	✓	✓	✓	✓
<b>Labels</b> (75–131 g/m <sup>2</sup> )	✓	✓	✓	x

MEDIA TYPE AND WEIGHT	STANDARD 550+100 SHEET TRAY		OPTIONAL 550-SHEET TRAY (TRAY 2, 3, 4 AND 5)	2-SIDED PRINTING
	550-SHEET TRAY (TRAY 1)	BYPASS TRAY		
<b>Pre-Printed</b> (75–90 g/m <sup>2</sup> )	✓	✓	✓	✓
<b>Envelope</b> (60–105 g/m <sup>2</sup> )	✓	✓	✓	x
<b>Light Glossy Cardstock</b> (105–162 g/m <sup>2</sup> )	✓	✓	✓	✓
<b>Glossy Cardstock</b> (163–200 g/m <sup>2</sup> )	✓	✓	✓	x
<b>Lightweight</b> (60–74 g/m <sup>2</sup> )	✓	✓	✓	✓
<b>Custom 1–7</b> (75–90 g/m <sup>2</sup> )	✓	✓	✓	✓
<b>Weight Range</b>	60–200 g/m <sup>2</sup>	60–200 g/m <sup>2</sup>	60–200 g/m <sup>2</sup>	60–162 g/m <sup>2</sup>

 Note: Do not use envelopes or labels for 2-Sided printing.

 Note: Pre-cut tabs are not supported.

#### SUPPORTED STANDARD AND CUSTOM PAPER SIZES

MEDIA SIZE AND MEASUREMENTS	STANDARD 550+100 SHEET TRAY		OPTIONAL 550-SHEET TRAY (TRAY 2, 3, 4, AND 5)	2-SIDED PRINTING
	550-SHEET TRAY (TRAY 1)	BYPASS TRAY		
<b>3 x 5 in.</b> (76 x 127 mm)	x	✓	x	x
<b>Postcard (4.25 x 5.5 in.)</b> (108 x 138 mm)	x	✓	x	x
<b>Postcard (4 x 6 in.)</b> (102 x 152 mm)	x	✓	x	x
<b>5 x 7 in.</b> (127 x 178 mm)	✓	✓	✓	✓

MEDIA SIZE AND MEASUREMENTS	STANDARD 550+100 SHEET TRAY		OPTIONAL 550-SHEET TRAY (TRAY 2, 3, 4, AND 5)	2-SIDED PRINTING
	550-SHEET TRAY (TRAY 1)	BYPASS TRAY		
<b>A6 (105 x 148 mm)</b> (4.1 x 5.8 in.)	✓	✓	✓	✓
<b>A5 (148 x 210 mm)</b> (5.8 x 8.3 in.)	✓	✓	✓	✓
<b>A5 (210 x 148 mm)</b> (8.3 x 5.8 in.)*	✓	✓	✓	✓
<b>Statement (5.5 x 8.5 in.)</b> (140 x 216 mm)	✓	✓	✓	✓
<b>B5 (176 x 250 mm)</b> (6.9 x 9.8 in.)	✓	✓	✓	✓
<b>JIS B5 (182 x 257 mm)</b> (7.2 x 10.1 in.)	✓	✓	✓	✓
<b>Executive (7.25 x 10.5 in.)</b> (184 x 267 mm)	✓	✓	✓	✓
<b>8 x 10 in.</b> (203 x 254 mm)	✓	✓	✓	✓
<b>Letter (8.5 x 11 in.)</b> (216 x 279 mm)	✓	✓	✓	✓
<b>A4 (210 x 297 mm)</b> (8.3 x 11.7 in.)	✓	✓	✓	✓
<b>215 x 315 mm</b> (8.5 x 12.4 in.)	✓	✓	✓	✓
<b>8.5 x 13 in.</b> (216 x 330 mm)	✓	✓	✓	✓
<b>8.5 x 13.4 in.</b> (216 x 340 mm)	✓	✓	✓	✓
<b>Legal (8.5 x 14 in.)</b> (216 x 356 mm)	✓	✓	✓	✓

MEDIA SIZE AND MEASUREMENTS	STANDARD 550+100 SHEET TRAY		OPTIONAL 550-SHEET TRAY (TRAY 2, 3, 4, AND 5)	2-SIDED PRINTING
	550-SHEET TRAY (TRAY 1)	BYPASS TRAY		
<b>C5 Envelope (162 x 229 mm)</b> (6.4 x 9 in.)	✓	✓	✓	✗
<b>C6 Envelope (114 x 162 mm)</b> (4.5 x 6.4 in.)	✓	✓	✓	✗
<b>DL Envelope (110 x 220 mm)</b> (4.3 x 8.6 in.)	✓	✓	✓	✗
<b>Envelope (6 x 9 in.)</b> (152 x 228 mm)	✓	✓	✓	✗
<b>Monarch Envelope (3.9 x 7.5 in.)</b> (98 x 190 mm)	✗	✓	✗	✗
<b>No. 9 Envelope (3.9 x 8.9 in.)</b> (98 x 225 mm)	✗	✓	✗	✗
<b>No. 10 Envelope (4.1 x 9.5 in.)</b> (105 x 241 mm)	✓	✓	✓	✗
<b>Custom</b>	105–216 x 148–356 mm (4.1–8.5 x 5.8–14 in.)	76–216 x 127–356 mm (3.0–8.5 x 5.0–14 in.)	105–216 x 148–356 mm (4.1–8.5 x 5.8–14 in.)	105–216 x 148–356 mm (4.1–8.5 x 5.8–14 in.)
 Note: An asterisk (*) next to a value indicates the Long Edge Feed. For A5, the recommended orientation for loading the paper is Long Edge Feed (LEF).				



## Configuring Paper Tray Settings

### CONFIGURING DEDICATED PAPER TRAYS

The system administrator can set trays to Fully Adjustable mode or Dedicated mode. When a paper tray is set to Fully Adjustable mode, you can change paper settings each time that you load the tray. When a paper tray is set to Dedicated mode, the control panel prompts you to load a specific paper size, type, and color.

Your printer can have up to four optional standard paper trays that can be configured as Fully Adjustable or Dedicated trays. The only tray that cannot be set as Dedicated is the Bypass Tray.



Note: To configure tray settings, refer to the *System Administrator Guide* at [www.xerox.com/office/VLC620docs](http://www.xerox.com/office/VLC620docs).

### PAPER SIZE CONFIRMATION

The system administrator can configure the device response that appears on the control panel touch screen when paper of the same size is loaded in a tray. For standard adjustable paper trays, select an option:

- **Always Show:** This option shows the paper confirmation prompt on the control panel touch screen until the user dismisses it.
- **Delayed Confirmation:** This option shows the paper confirmation prompt for a specified time. At the end of the specified time, the prompt closes, which confirms the paper that is loaded. While the prompt appears on the control panel touch screen, you can confirm any change to the paper type, color, and size.
- **Auto Confirmation:** This option confirms the paper type, color, and size automatically without showing a confirmation prompt on the control panel touch screen.



Note: Xerox® does not recommend using the **Auto Confirmation** option unless you always load the tray with paper of the exact same type, color, and size. To configure the Automatic Tray Confirmation Prompt, refer to **Required Paper Policies** in the *System Administrator Guide* at [www.xerox.com/office/VLC620docs](http://www.xerox.com/office/VLC620docs).

### CHANGING PAPER SIZE, TYPE, AND COLOR

When a paper tray is set to Fully Adjustable mode, you can change paper settings each time that you load the tray. When you close the tray, the control panel prompts you to set the paper size, type, and color of paper loaded.

When a paper tray is set to Dedicated mode, the control panel prompts you to load a specific paper size, type, and color. If you move the guides to load a different paper size, the control panel displays an error message.

To configure the tray settings for Fully Adjustable or Dedicated mode, refer to [Configuring Paper Tray Settings](#).

To set the paper size, type, or color when a tray is set to Fully Adjustable:

1. Open the paper tray, then load the required paper.
2. Close the tray.

3. At the control panel, select the correct paper size, type, and color:

- To select a new paper size, touch **Size**.
- To select a new paper type, touch **Type**.
- To select a new paper color, touch **Color**.

4. To confirm the settings, touch **Confirm**.

To set the paper size, type, or color when a tray is set to Dedicated, refer to [Configuring Dedicated Paper Trays](#).

## Loading Paper

### LOADING PAPER IN TRAYS 1–5

The system administrator can set Trays 1–5 to Fully Adjustable mode or Dedicated mode. Each time when a tray is opened and closed, the paper settings appear on the control panel.

When a paper tray is set to Fully Adjustable mode, you can change paper settings each time that you load the tray. When a paper tray is set to Dedicated mode, the control panel prompts you to load a specific paper size, type, and color.

- When trays are configured as Fully Adjustable, you can confirm or change the media settings. The paper guides automatically detect the size of paper that is loaded.
- When trays are configured as Dedicated, the control panel displays the media settings for the tray. A warning message appears on the control panel when the wrong media size is loaded in the tray or when the paper guides are set incorrectly.

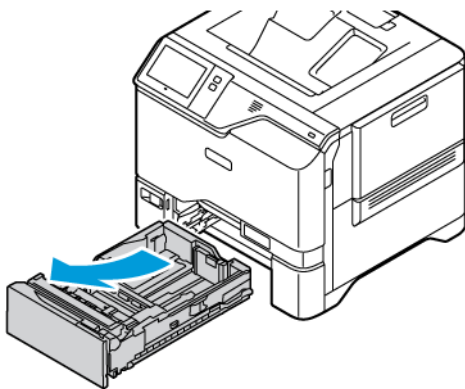


Note: Only the system administrator can change the media settings for a dedicated tray. For details on how to configure tray settings, refer to [Configuring Paper Tray Settings](#).

When the paper in the tray is in short supply or when a tray is empty, a warning message appears on the control panel.

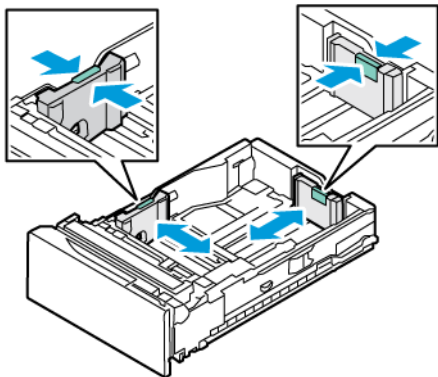
Do the following to load paper in Trays 1–5, where:

- Tray 1: Standard 550-sheet Tray with an integrated 100-sheet Bypass Tray. For more information to load paper in the Bypass Tray, refer to [Loading Paper in the Bypass Tray](#).
  - Trays 2–5: Optional 550-sheet Trays
1. Pull out the tray until it stops.

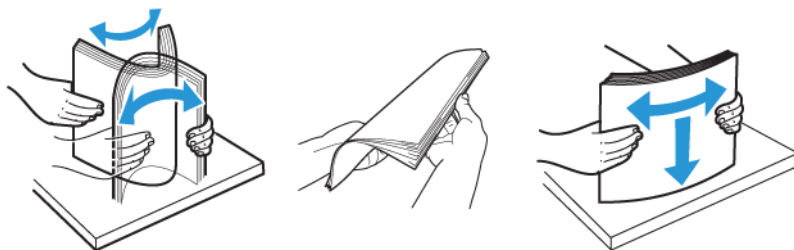


2. Remove any paper that is a different size or type.

3. To move out the length or width paper guides, pinch the guide locks, then slide out the length or width paper guides.

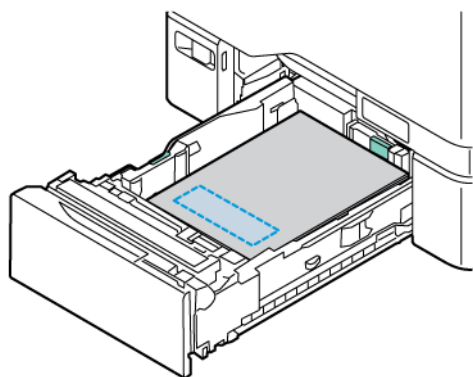


4. Flex the sheets back and forth and fan them, then align the edges of the stack on a level surface. The procedure separates any sheets that are stuck together and reduces the possibility of jams.



**Warning:** To avoid jams and misfeeds, do not remove paper from its packaging until you are ready to use it.

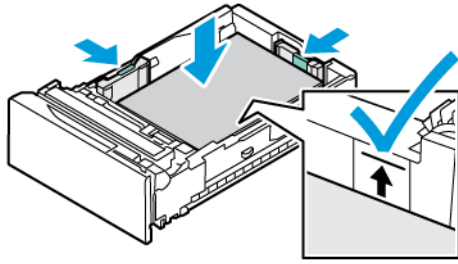
5. Load the paper in the tray. For short-edge feed, insert letterhead and pre-printed paper face down with the top edge toward the front.



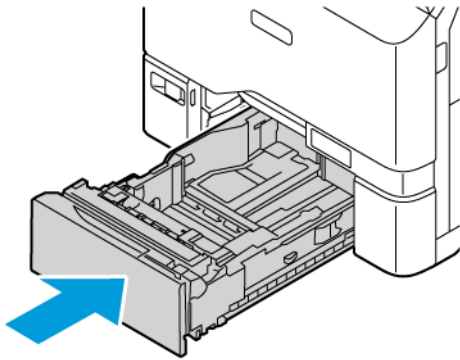
Long-edge feed is the recommended orientation for A5 (148 x 210 mm, 5.8 x 8.3 in.) paper.

**Warning:** Do not load the paper above the maximum fill line. Overfilling the tray can cause paper jams.

- To fit the paper, adjust the length and width paper guides. Pinch the guide locks, then slide the paper guides in until they touch the paper.



- Slide the tray back into the printer.



- At the control panel, select the correct paper size, type, and color.
  - If letterhead paper is loaded in the printer, for type, select **Letterhead**.
  - If pre-printed paper is loaded in the printer, for type, select **Pre-printed**.
- To confirm the settings, touch **Confirm**.



Note: To change the paper settings when the tray is set to Dedicated mode, refer to [Configuring Dedicated Paper Trays](#).

### ADJUSTING THE PAPER GUIDES IN THE 550-SHEET ADJUSTABLE TRAYS

You can adjust the paper guides in Trays 1–5 to accommodate standard or custom paper sizes. In the standard position, the guides move into the supported standard paper settings. You can use the Paper Size Preference feature to set the preferred paper size to imperial or metric. Paper size options that use the selected units setting appear at the top of the Paper Selection list on the Print tab and User Interface. You can select from the following options of different measurement units:

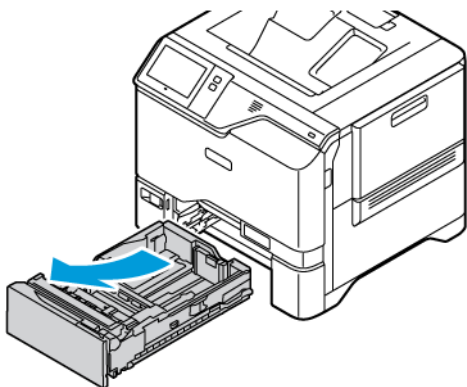
- **Inches:** This option sets the paper-size preference to inches and displays Imperial sizes first.
- **Metric:** This option sets the paper-size preference to millimeters and displays Metric sizes first.

To set a custom size in the control panel, you can set the dimensions in the following increments:

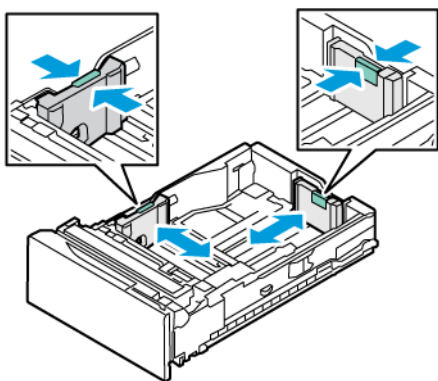
- 0.1 in., if the measurement unit is set to Inches or
- 1 mm, if the measurement unit is set to Metric

To move the paper guides from the standard to the custom paper-size position:

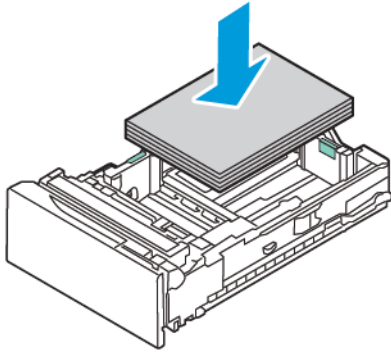
1. Pull out the tray until it stops.



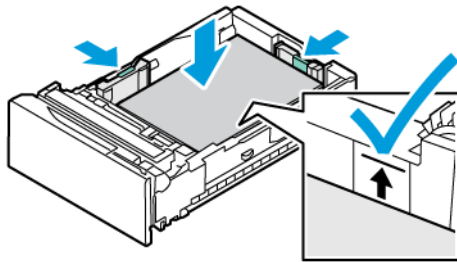
2. Remove any paper from the tray. Pinch the guide levers, then move the length or width guides outward until they stop.



3. Load the custom-size paper in the tray.



4. To engage the fine-adjustment block, pinch the levers and slide the guides inward.



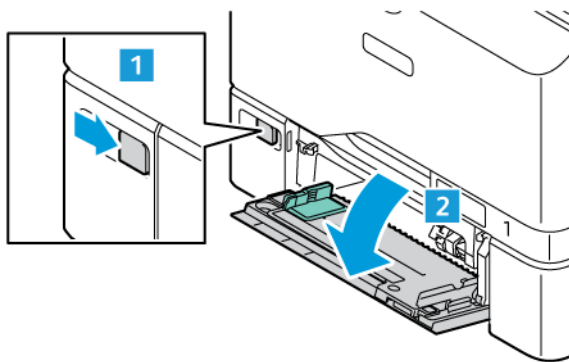
#### LOADING PAPER IN THE BYPASS TRAY

The Bypass Tray supports the widest variety of media types. The tray is intended primarily for small-quantity jobs that use special media. The Bypass Tray can load up to 100 sheets of paper.

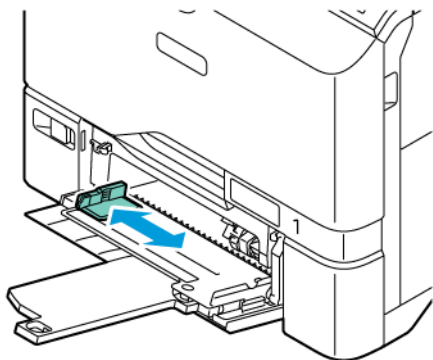
To load paper in the Bypass Tray, do the following:

1. To open the Bypass Tray, push the release latch (1) at the front-left side of Tray 1. If the tray is loaded with paper, remove any paper that is a different size or type.

 Note: For larger paper sizes, pull out the extension tray.



2. Move the width guides to the edges of the tray.

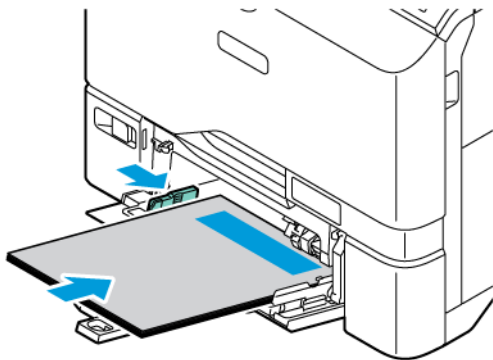


3. Flex the sheets back and forth and fan them, then align the edges of the stack on a level surface. The procedure separates any sheets that are stuck together and reduces the possibility of jams.



**Warning:** To avoid jams and misfeeds, do not remove paper from its packaging until you are ready to use it.

4. Load the paper in the tray. For short-edge feed printing, load letterhead and pre-printed paper face up with the top edge toward the feed direction of the paper.

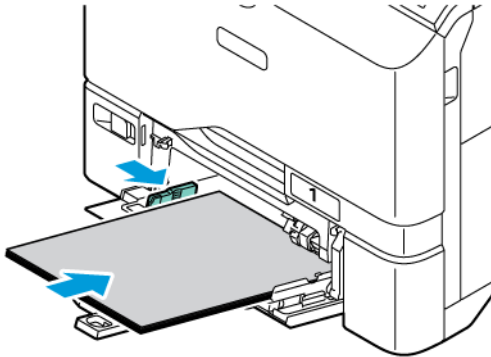


Long-edge feed is the recommended orientation for A5 (148 x 210 mm, 5.8 x 8.3 in.) paper.

**Warning:** Do not load paper above the maximum fill line. Overfilling can cause paper jams.



5. Adjust the width guides until they touch the edges of the paper.



6. At the control panel, select the correct paper size, type, and color.
  - If letterhead paper is loaded in the printer, for type, select **Letterhead**.
  - If pre-printed paper is loaded in the printer, for type, select **Pre-printed**.
7. To confirm the settings, touch **Confirm**.

## Printing on Special Paper

To order paper or other media, contact your local reseller or go to [www.xerox.com/office/supplies](http://www.xerox.com/office/supplies).

For reference:

[www.xerox.com/rmlna](http://www.xerox.com/rmlna): Recommended Media List (United States)

[www.xerox.com/rmleu](http://www.xerox.com/rmleu): Recommended Media List (Europe)

## ENVELOPES

You can print envelopes from Tray 1–5 and Bypass Tray.

### Guidelines for Printing Envelopes

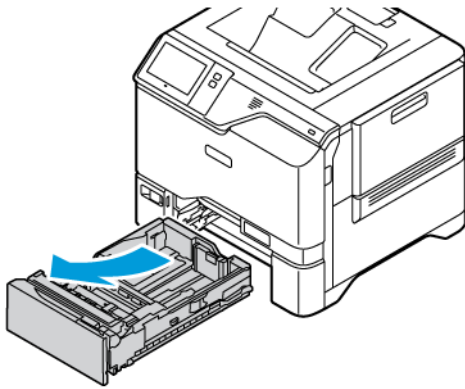
- Use only paper envelopes.
- Do not use envelopes with windows or metal clasps.
- Print quality depends on the quality and construction of the envelopes. If you do not get the desired results, try another envelope brand.
- Maintain constant temperatures and relative humidity.
- Store unused envelopes in their packaging to avoid excess moisture and dryness which can affect print quality and cause wrinkling. Excessive moisture can cause the envelopes to seal before or during printing.
- Remove air bubbles from the envelopes before loading them into the tray by setting a heavy book on top of the envelopes.
- In the print driver software, select Envelope as the paper type.
- Do not use padded envelopes. Use envelopes that lie flat on a surface.
- Do not use envelopes with heat-activated glue.
- Do not use envelopes with press-and-seal flaps.

### Loading Envelopes in Trays 1–5

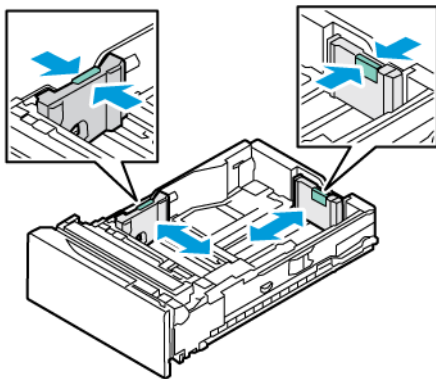
For supported envelope sizes, refer to [Supported Paper](#).

To load envelopes in Trays 1–5, do the following:

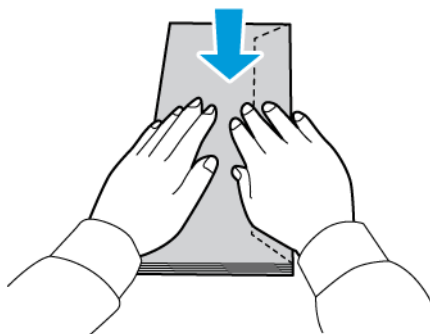
1. Pull out the tray until it stops.



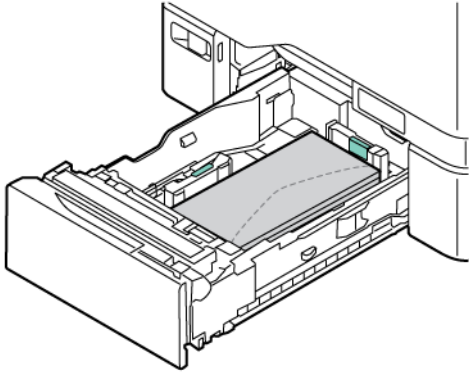
2. Remove any paper that is a different size or type.
3. To move out the length or width paper guides, pinch the guide locks, then slide out the length or width paper guides.




4. To avoid jams, flatten the envelopes.



5. Load envelopes in the tray. For envelopes with the flap on a long edge, load envelopes with the flaps face down and closed. Keep the flaps toward the right.



6. Move the width paper guides from the edges of the tray to fit the envelopes.
7. Slide the tray back into the printer.
8. At the control panel, select the correct paper size, type, and color. Ensure that the paper type is set to Envelope.

 Note: To change the paper settings when the tray is set to Dedicated mode, refer to [Configuring Dedicated Paper Trays](#).

9. To confirm the settings, touch **Confirm**.
10. To return to the Home screen, press the **Home** button.

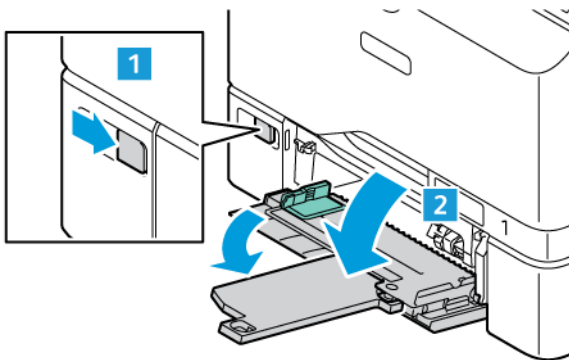
### Loading Envelopes in the Bypass Tray

For supported envelope sizes, refer to [Supported Paper](#).

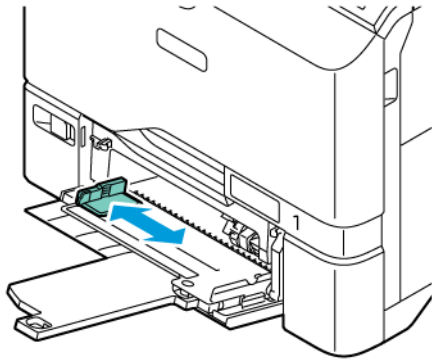
To load envelopes in the Bypass Tray, do the following:

1. To open the Bypass Tray, push the release latch (1) at the front-left side of Tray 1. If the tray is loaded with paper, remove any paper that is a different size or type.

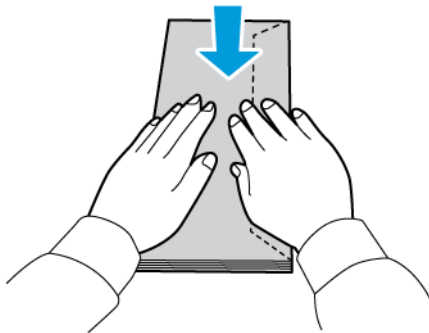
 Note: For larger paper sizes, pull out the extension tray.



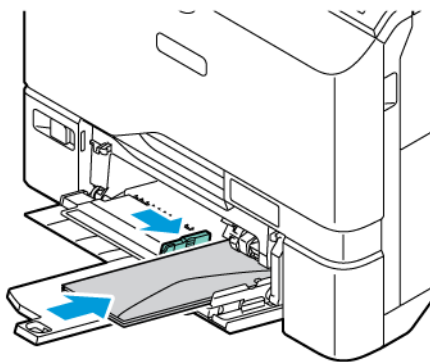
2. Move the width guides to the edges of the tray.



Note: If you do not load envelopes in the Bypass Tray right after they are removed from the packaging, they can bulge. To avoid jams, flatten the envelopes.



3. Load envelopes in the tray. For envelopes with the flap on a long edge, load envelopes with the flaps on the top and closed. Keep the flaps toward the right.



Note: An envelope such as 6 x 9 in. (152 x 228 mm), with the flap on the short edge, insert the envelope with the flap toward the feed direction.

4. Move the width paper guides from the edges of the tray to fit the envelopes.
5. At the control panel, select the correct paper size, type, and color. Ensure that the paper type is set to Envelope.
6. To confirm the settings, touch **Confirm**.

7. To return to the Home screen, press the **Home** button.

## LABELS

You can print labels from the following trays:

- Trays 1–5
- Bypass Tray

### Guidelines for Printing Labels

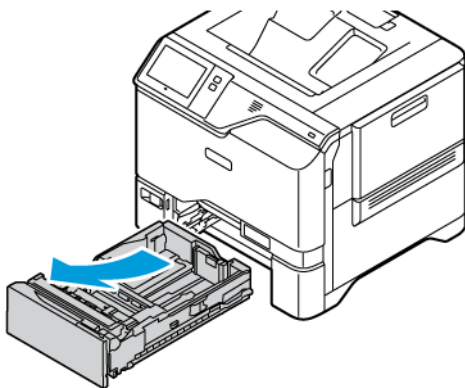
- Use labels designed for laser printing.
- Do not use vinyl labels.
- Do not feed a sheet of labels through the printer more than once.
- Do not use dry gum labels.
- Print only on one side of the sheet of labels. Use full sheet labels only.
- Store unused labels flat in their original packaging. Leave the sheets of labels inside the original packaging until ready to use. Return any unused sheets of labels to the original packaging and reseal it.
- Do not store labels in extremely dry or humid conditions or extremely hot or cold conditions. Storing them in extreme conditions can cause print-quality problems or cause them to jam in the printer.
- Rotate stock frequently. Long periods of storage in extreme conditions can cause labels to curl and jam in the printer.
- In the print driver software, select Label as the paper type.
- Before loading labels, remove all other paper from the tray.

**Warning:** Do not use any sheet where labels are missing, curled, or pulled away from the backing sheet. It could damage the printer.

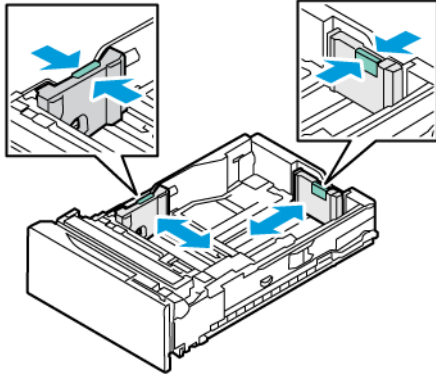
### Loading Labels

To load labels in Trays 1–5 and Bypass Tray:

1. Pull out the tray until it stops.

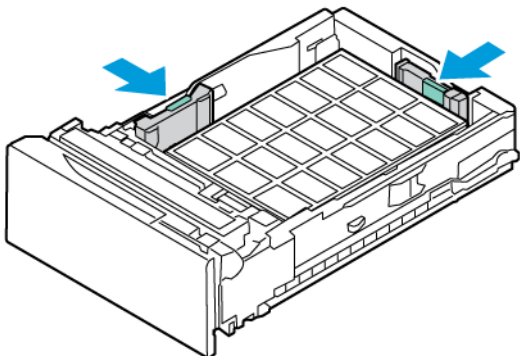


2. Ensure that the paper guides are set in the correct position for the size of labels you are loading.
3. Remove any paper that is a different size or type.
4. To move out the length or width paper guide, release the guide lock, then slide out the length or width paper guide.

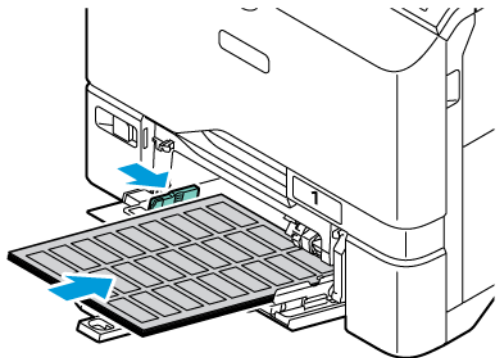


5. Load the labels in any of the trays:

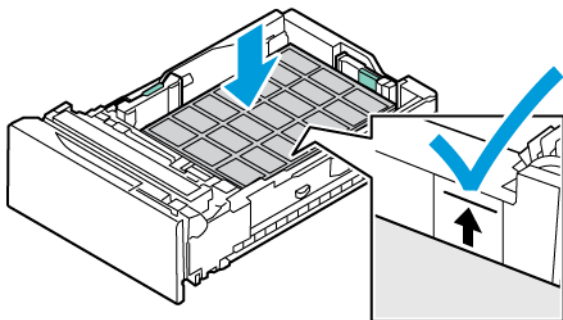
- Load the labels face up in the Trays 1–5, then adjust the length and width paper guides to fit the labels. For long-edge feed, insert labels face up with the top edge toward the front.



- Load the labels face down in the Bypass Tray, then adjust the length and width paper guides to fit the labels.

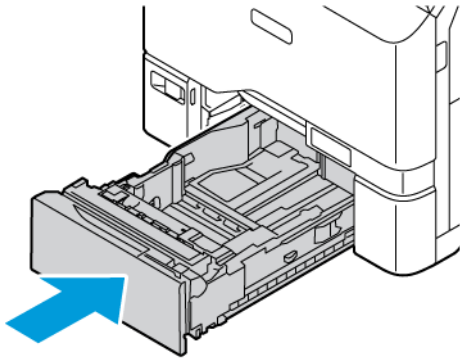


**Warning:** Do not load paper above the maximum fill line. Overfilling can cause paper jams.





- Slide the tray back into the printer.



- At the control panel, select the correct paper size, type, and color. Ensure that the paper type is set to Labels.



Note: To change the paper settings when the tray is set to Dedicated mode, refer to [Configuring Dedicated Paper Trays](#).

- To confirm the settings, touch **Confirm**.
- To return to the Home screen, press the **Home** button.

## GLOSSY MEDIA

You can print glossy paper, up to 200 g/m<sup>2</sup>, from any tray.

- For Bypass Tray, load the paper with the glossy side or print side down.
- For 550-sheet standard trays, Trays 1–5, load the paper with the glossy side or print side up.



Note: For best results, load Glossy Cardstock paper into the Bypass Tray.

### Guidelines for Printing on Glossy Paper

- Do not open sealed packages of glossy paper until you are ready to load them into the printer.
- Leave glossy paper in the original wrapper, and leave the packages in the shipping carton until ready to use.
- Remove all other paper from the tray before loading glossy paper.
- Load only the amount of glossy paper that you are planning to use. Do not leave glossy paper in the tray when you are finished printing. Reinsert unused paper in the original wrapper and seal.
- Rotate paper frequently. Long periods of storage in extreme conditions can cause glossy paper to curl and jam in the printer.
- In the print driver software, select the desired glossy paper type or select the tray loaded with the desired paper.

### Loading Glossy Paper in Bypass Tray

- Before you load glossy paper, remove all other paper from the tray.
- Load only the amount of paper you plan to use.
- Load the paper with the glossy side or print side down.

4. At the control panel, select the correct paper size, type, and color:
  - Ensure that the paper type is set to **Glossy**. To select a new paper type, touch **Type**.
  - To select a new paper size, touch **Size**.
  - To select a new paper color, touch **Color**.
5. To confirm the settings, touch **Confirm**.

# Maintenance

This chapter contains:

- General Precautions..... 172
- Cleaning the Printer..... 173
- Supplies ..... 174
- Managing the Printer..... 193
- Moving the Printer ..... 194

## General Precautions



### Caution:

- Internal parts of the printer can be hot. Use caution when doors and covers are open.
- Keep all cleaning materials out of the reach of children.
- Do not use pressurized spray cleaning aids on or in the printer. Some pressurized sprays contain explosive mixtures and are not suitable for use in electrical applications. Use of pressurized spray cleaners increases the risk of fire and explosion.
- Do not remove the covers or guards that are fastened with screws. You cannot maintain or service any parts that are behind these covers and guards. Do not attempt any maintenance procedure that is not described in the documentation supplied with your printer.

### Warning:

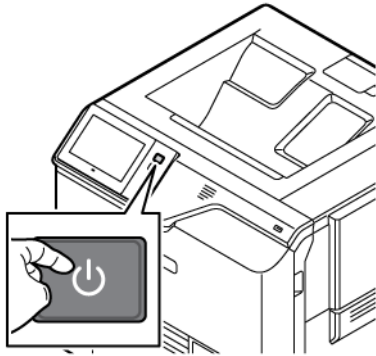
- When cleaning your printer, do not use organic or strong chemical solvents or aerosol cleaners. Do not pour fluids directly into any area. Use supplies and cleaning materials only as directed in this documentation.
- Do not place anything on top of the printer.
- Do not leave the covers and doors open for any length of time, especially in well-lighted places.
- Do not open covers and doors during printing.
- Do not tilt the printer while it is in use.
- Do not touch the electrical contacts or gears. Doing so could damage the printer and cause the print quality to deteriorate.
- Ensure that any parts removed during cleaning are replaced before you plug in the printer.

## Cleaning the Printer

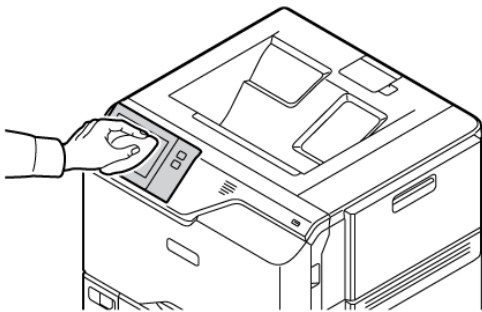
### CLEANING THE PRINTER EXTERIOR

Regular cleaning keeps the touch screen, control panel, and exterior areas of the printer free from dust and dirt. To clean the printer exterior:

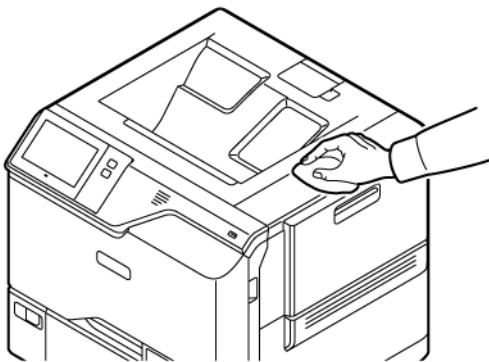
1. To avoid activating buttons and menus when cleaning the printer, press the **Power/Wake** button, then touch **Sleep**.



2. To remove fingerprints and smudges, clean the touch screen and control panel with a soft, lint-free cloth.



3. To return the printer to Ready mode, press the **Power/Wake** button.
4. Use a soft, lint-free cloth to clean the outside of the output tray, paper trays, and other exterior areas of your printer.



## Supplies

### CONSUMABLES

Consumable supplies are printer supplies that become depleted during the operation of the printer. Consumable supply for this printer includes Genuine Xerox® Toner Cartridges in Cyan, Magenta, Yellow, and Black.



Note:

- Each consumable includes installation instructions. To replace consumables, refer to the instructions included with the consumable supply.
- Only install new toner cartridges in your printer. If a used toner cartridge is installed, then the toner remaining amount displayed can be inaccurate.
- To ensure print quality, the toner cartridge is designed to cease functioning at a predetermined point.
- You can use Xerox Easy Assist (XEA) app to check the status of supplies and order them. For more information, refer to [Xerox® Easy Assist \(XEA\) App](#).

**Warning:** Use of toner other than genuine Xerox® Toner can affect print quality and printer reliability. Xerox® Toner is the only toner designed and manufactured under strict quality controls by Xerox for specific use with this printer.

### ROUTINE MAINTENANCE ITEMS

Routine maintenance items are printer parts that have a limited life and require periodic replacement. Replacements can be parts or kits. Routine maintenance items are typically customer-replaceable parts.



Note: Each routine maintenance item includes installation instructions.

Routine maintenance items for this printer include the following:

- Waste Toner Container
- Imaging Kit
- Standard Paper Tray Feed Roller Assembly
- Bypass Tray Feed Roller Assembly
- Fuser Maintenance Kit

### ORDERING SUPPLIES

#### When to Order Supplies

A warning appears on the control panel when supplies near the replacement time. Verify that you have replacements on hand. To avoid interruptions to your printing, order these items when the messages first appear on the control panel. An error message appears on the control panel when supplies require replacement.

Order supplies from your local reseller or go to [www.xerox.com/office/supplies](http://www.xerox.com/office/supplies).

**Warning:** Use of non-Xerox supplies is not recommended. The Xerox Warranty or Service Agreement do not cover damage, malfunction, or degradation of performance caused by use of non-Xerox supplies, or the use of Xerox supplies not specified for this printer.

## Supply Status

You can check the status and percentage of life remaining for your printer supplies at the control panel or from the Embedded Web Server. When printer supplies near their replacement time, warning alerts appear on the control panel.

You can customize the alerts that appear on the control panel and configure email alert notifications using the Embedded Web Server.

To check the supplies status and set up alerts using the Embedded Web Server, refer to the *System Administrator Guide* at [www.xerox.com/office/VLC620docs](http://www.xerox.com/office/VLC620docs).


To check the supplies status at the control panel:


1. At the printer control panel, press the **Home** button.
2. To view status information for the printer supplies, touch **Device > Supplies**.
3. To view details about a specific toner cartridge, including the part number for reordering, touch **Cyan, Magenta, Yellow, or Black**.
4. To return to the Supplies screen, touch **X**.
5. To view more details, touch **Other Supplies**. Scroll through the list, then select an option.
6. To return to the Supplies screen, touch **X**.
7. To print the Supplies Report, touch **Print Supplies Report**.
8. To return to the Device screen, touch **X**.

## TONER CARTRIDGES

### **Caution:**


- When replacing a toner cartridge, be careful not to spill the toner. If any toner spills, avoid contact with clothes, skin, eyes, and mouth. Do not inhale the toner dust.
- Keep toner cartridges out of the reach of children. If a child accidentally swallows toner, have the child spit out the toner, and rinse out their mouth with water. Consult a physician immediately.

 **Caution:** Use a damp cloth to wipe off spilled toner. Never use a vacuum cleaner to remove spills. Electric sparks inside the vacuum cleaner can cause a fire or explosion. If you spill a large volume of toner, contact your local Xerox representative.

 **Caution:** Never throw a toner cartridge into an open flame. Remaining toner in the cartridge can catch fire and cause burn injuries or an explosion.

## Replacing the Toner Cartridges

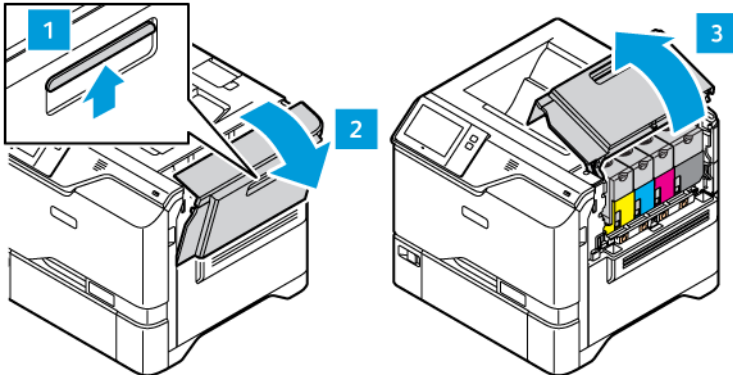
When it is time to replace a toner cartridge, the printer displays a message on the control panel.

 Note: Each toner cartridge includes installation instructions.

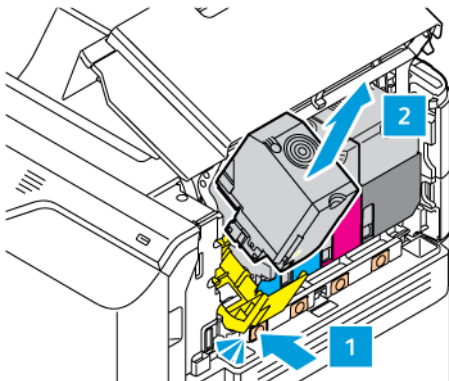
To replace a toner cartridge:

**Warning:** Do not perform this procedure when the printer is copying or printing.

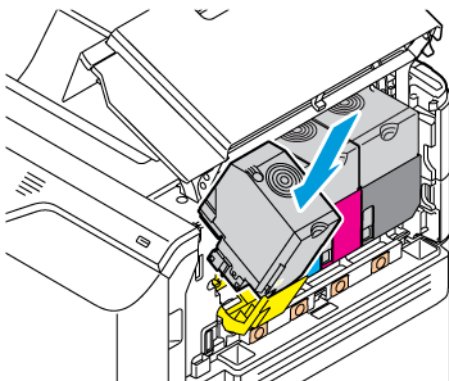
1. At the right-side of the printer, open and pull up Door B.



2. To remove the toner cartridge from the printer, press the button below the toner cartridge.

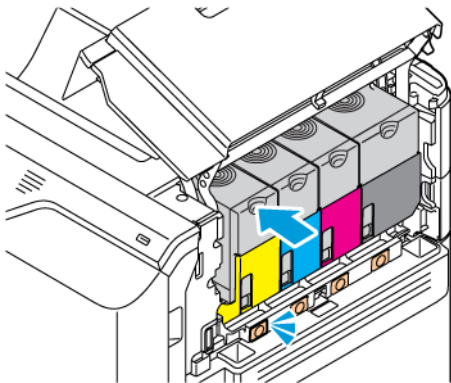


3. Unpack and insert the new toner cartridge.

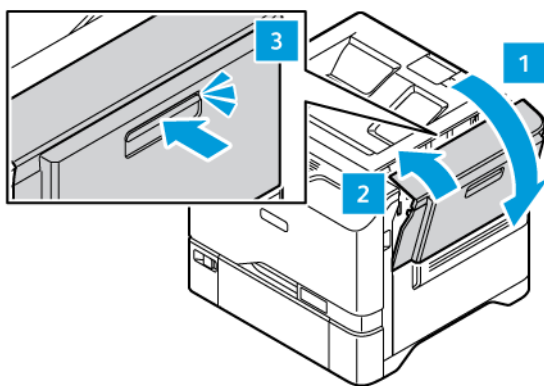




4. Push the new toner cartridge straight into the printer.



5. Close Door B.



## WASTE TONER CONTAINER

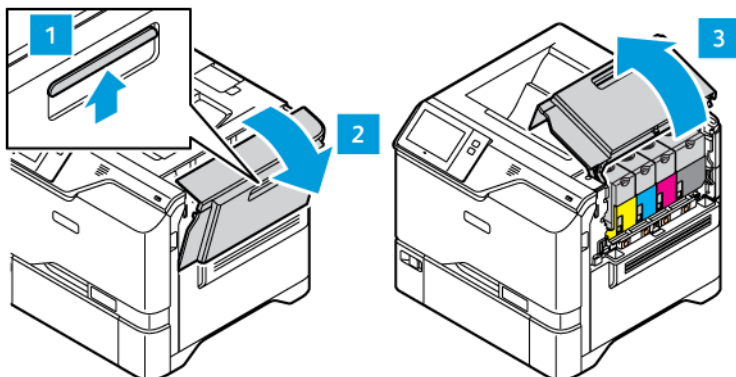
### Replacing the Waste Toner Container

When it is time to replace the waste toner container, the printer message appears on the control panel.

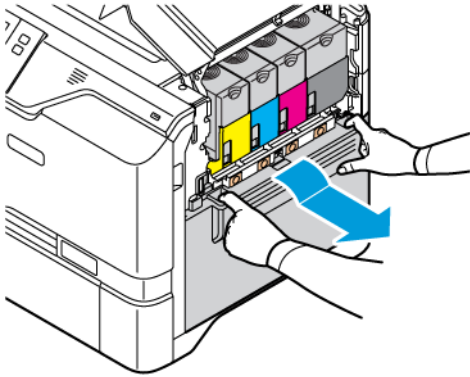
To replace the waste toner container:

**Warning:** Do not perform this procedure when the printer is copying or printing.

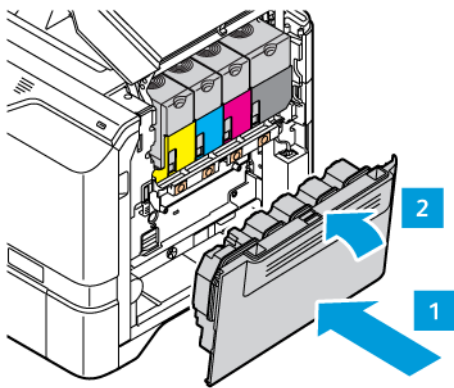
1. At the right-side of the printer, open and pull up Door B.



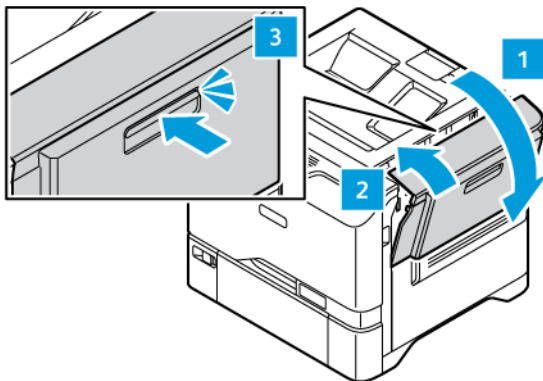
2. To remove the waste toner container, hold its sides as shown and take out from the printer.



3. Unpack and insert the new waste container.



4. Close Door B.



## IMAGING KIT

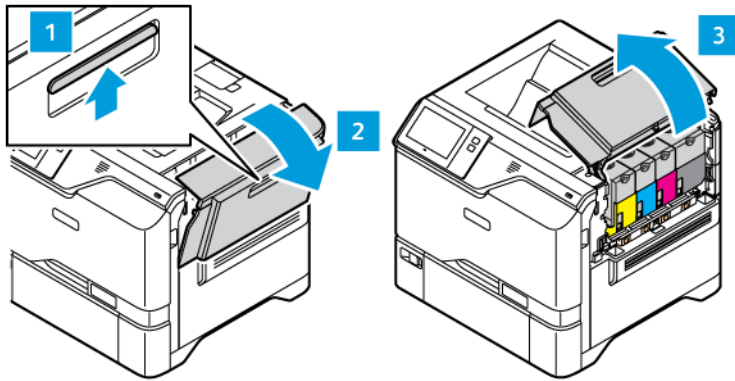
### Replacing the Imaging Kit

When it is time to replace the imaging kit, the printer displays a message appears on the control panel.

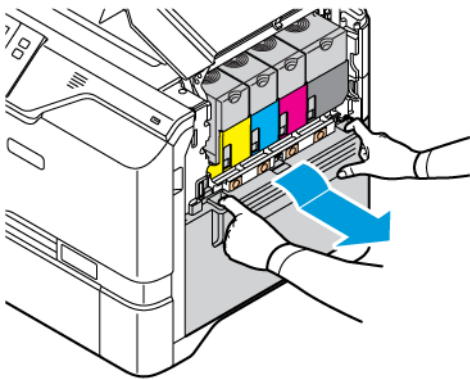
To replace the imaging kit:

**Warning:** Do not perform this procedure when the printer is copying or printing.

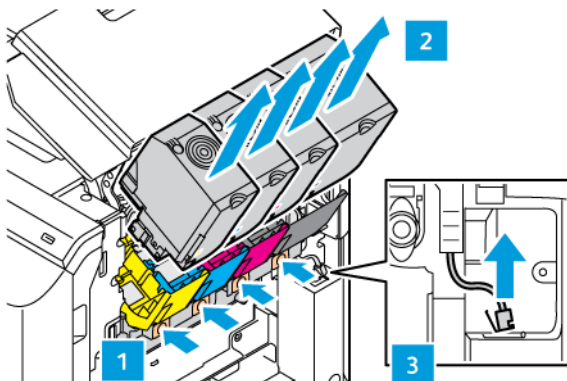
1. At the right-side of the printer, open and pull up Door B.



2. Remove the waste container from the printer.

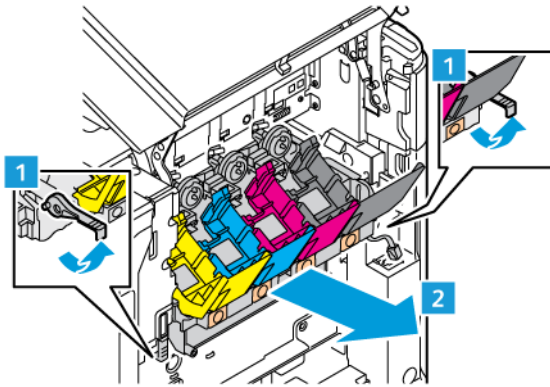


3. Remove the toner cartridges from the printer. For example, Cyan, Magenta, Yellow, or Black. Unlock the cable.

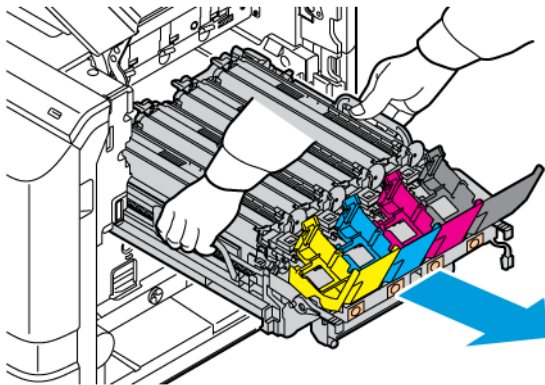


4. To remove the imaging kit:

- a. To unlock the imaging kit, pull up the lever.



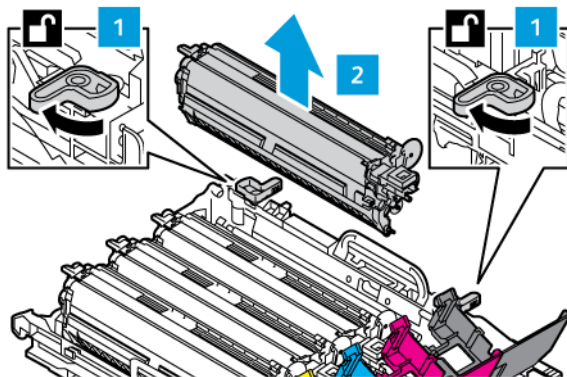
- b. Pull the imaging kit out slowly from the printer and take out the imaging kit by holding the handles on both sides.




5. Remove the black imaging unit.

**Caution:** Do not expose the photoconductor unit to direct light for more than 10 minutes. Extended exposure to light may cause print quality problems.

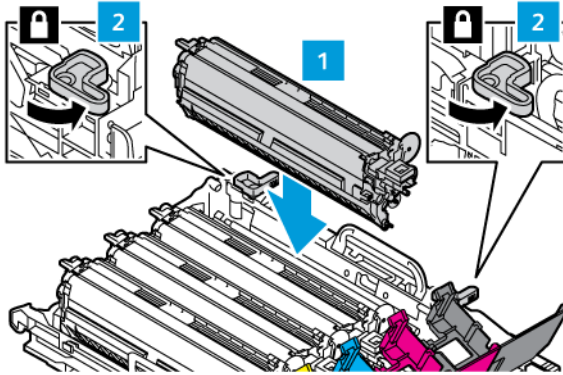
**Warning:** Do not touch the shiny photoconductor drum under the imaging unit. Doing so may affect the quality of future print jobs.



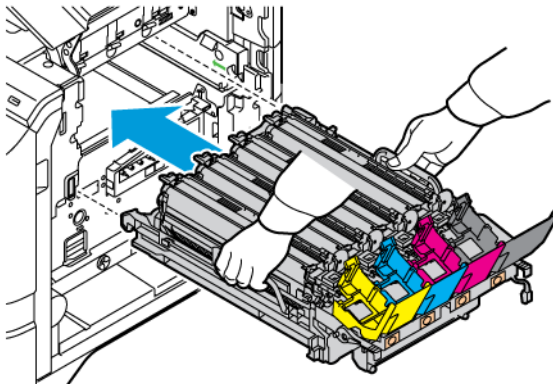
6. Unpack the new imaging kit, then remove the packing material.

 Note: The imaging kit includes the imaging unit, cyan, magenta, and yellow developer units.

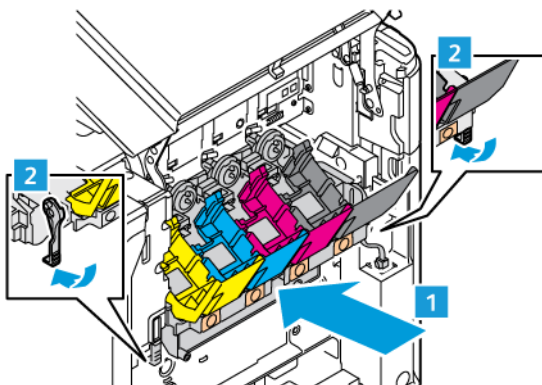
7. Insert the black imaging unit into a new imaging kit.



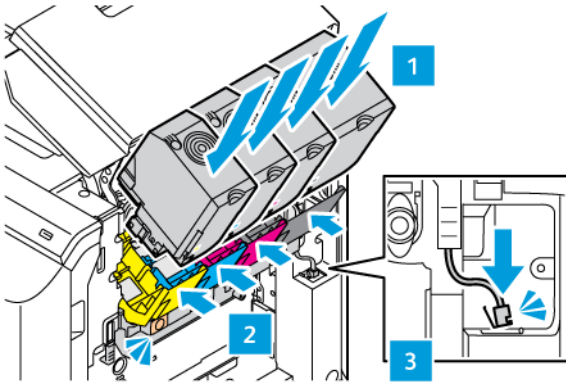
8. Insert the new imaging kit straight into the printer.



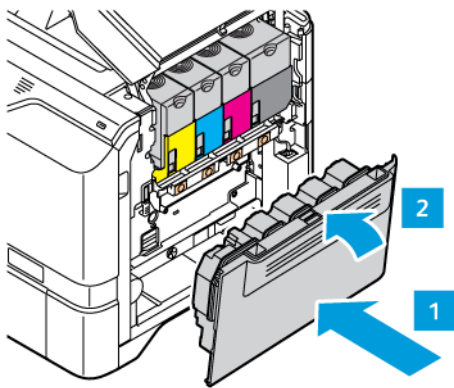
9. To lock the imaging kit, pull down the lever.



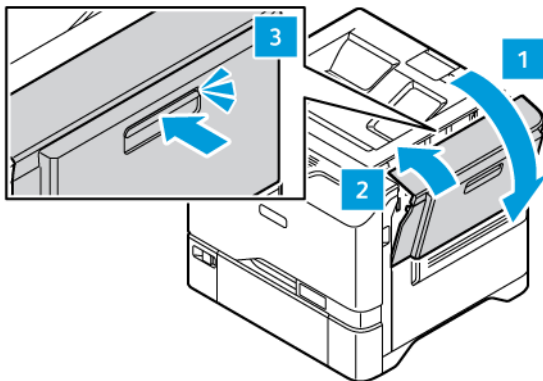
10. Insert the toner cartridges back into the printer and lock the cable.



11. Insert the waste container back into the printer.



12. Close Door B.



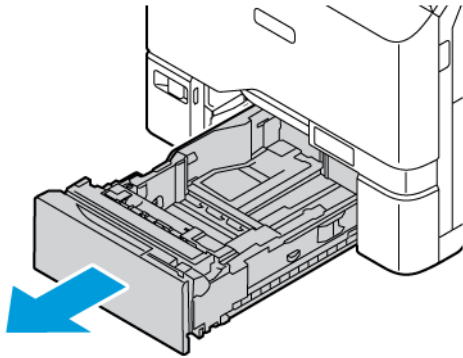
## PAPER TRAY FEED ROLLER ASSEMBLY

### Replacing the Tray 1 Feed Roller

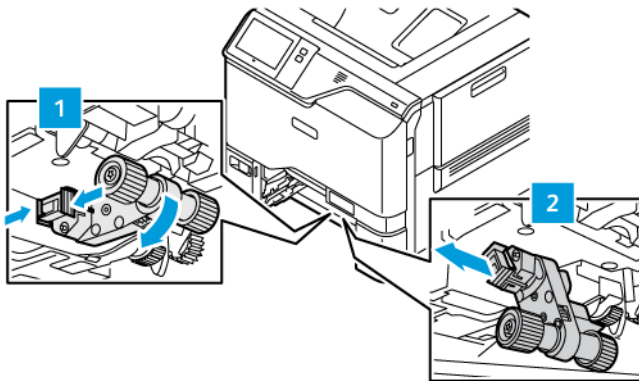
To replace the feed roller in the standard paper trays:

1. Turn off the printer, then unplug the power cord from the electrical outlet.

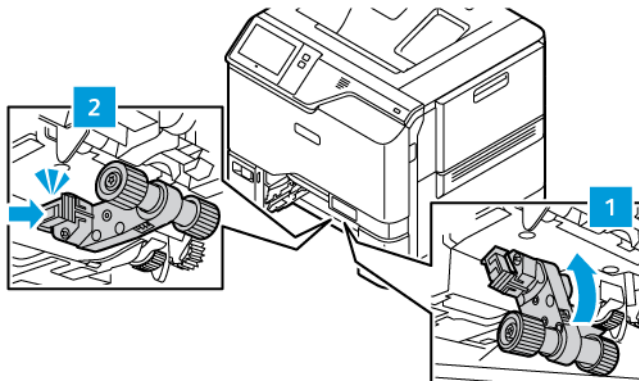
2. Remove Tray 1 from the printer.



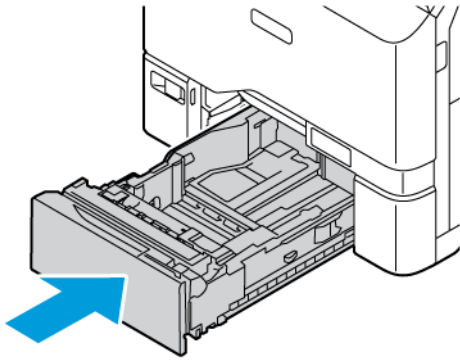
3. To release the Tray 1 feed roller, press both ends of the tab as shown, then remove it from the tray.



4. Unpack and insert the new feed roller for Tray 1.



5. Insert Tray 1 back into the printer.



6. Connect the power cord to the electrical outlet, then turn on the printer.



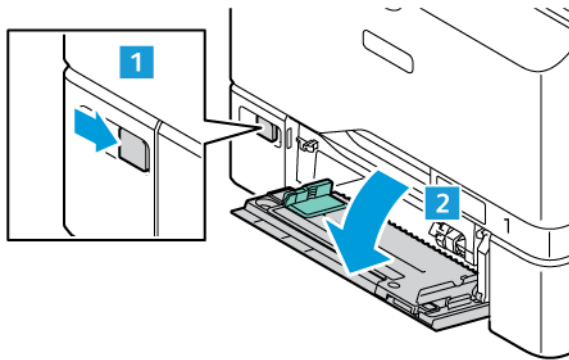
**Caution:** To avoid the risk of fire or electrical shock, connect the power cord to an appropriately rated and properly grounded electrical outlet that is near the product and easily accessible.

### Bypass Tray Feed Roller Assembly

#### Replacing the Feed Roller in the Bypass Tray

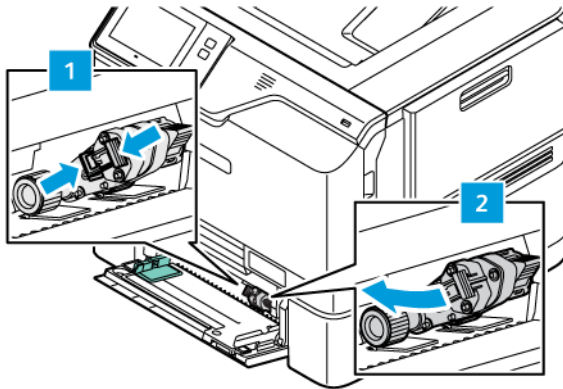
To replace the feed roller in the bypass tray:

1. Turn off the printer, then unplug the power cord from the power supply.
2. To open the bypass tray, push the release latch (1) at the front-left side of Tray 1.

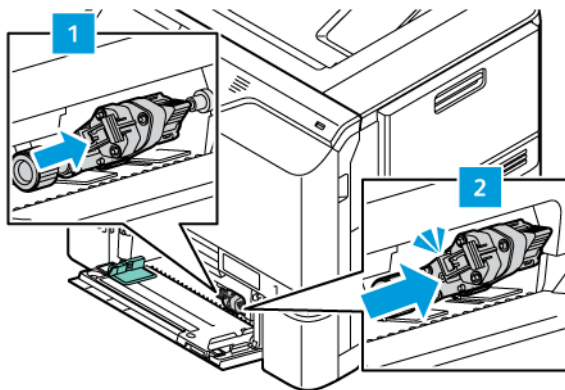




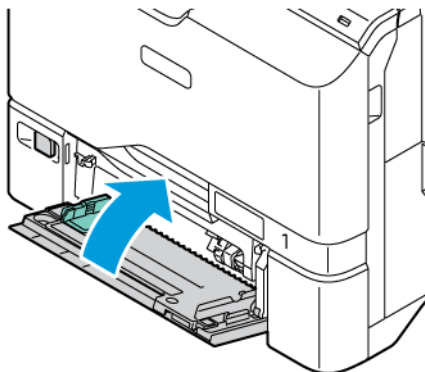
3. To release the feed roller, press both ends of the tab as shown, then remove it from the bypass tray.



4. Unpack and insert the new feed roller in the bypass tray.



5. Close the bypass tray.



6. Connect the power cord to the power supply, then turn on the printer.



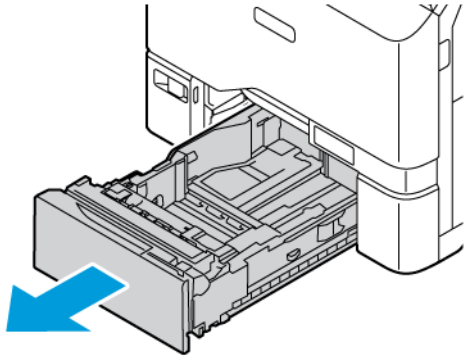
**Caution:** To avoid the risk of fire or electrical shock, connect the power cord to an appropriately rated and properly grounded electrical outlet that is near the product and easily accessible.

## Separator Pad

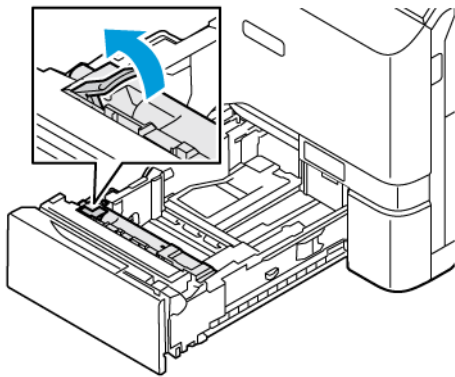
### Replacing the Separator Pad

To replace the separator pad:

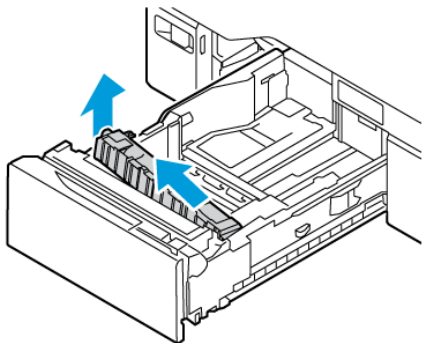
1. Pull out any standard paper tray from the printer.



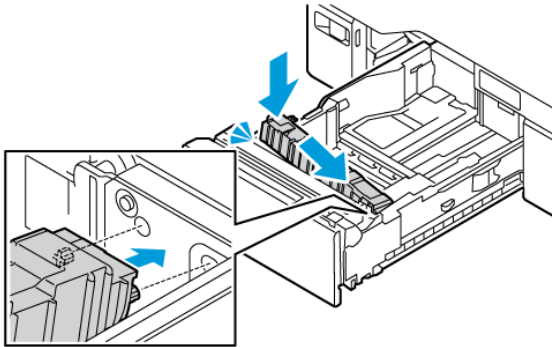
2. To remove the separator pad, do the following:
  - a. Release the separator pad.



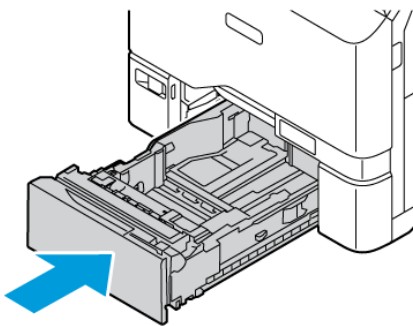
- b. Tilt it right and take out the separator pad from the tray.



3. Unpack and insert the new separator pad.



4. Close the paper tray.



## FUSER MAINTENANCE KIT

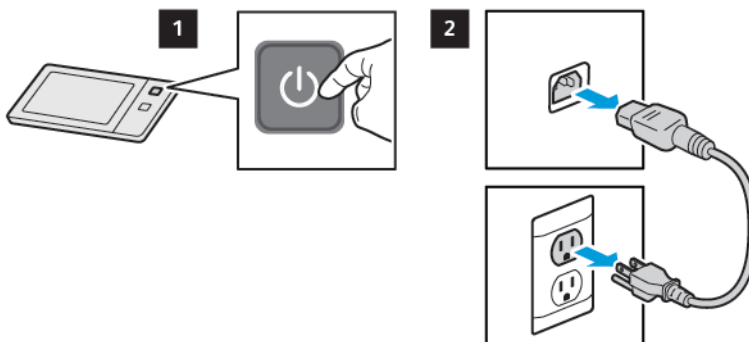
### Replacing the Fuser

When it is time to replace the fuser, the printer displays a message on the control panel.

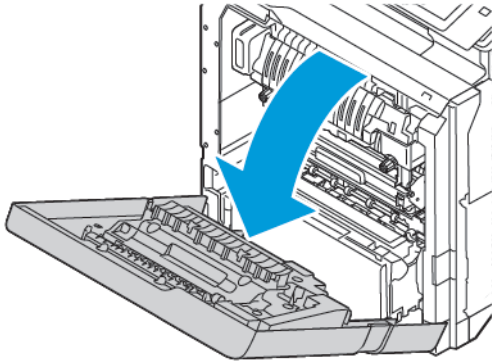
To replace the fuser:


 **Caution:** Do not perform this procedure when the printer is copying or printing.

1. Turn off the printer, then unplug the power cord from the electrical outlet.

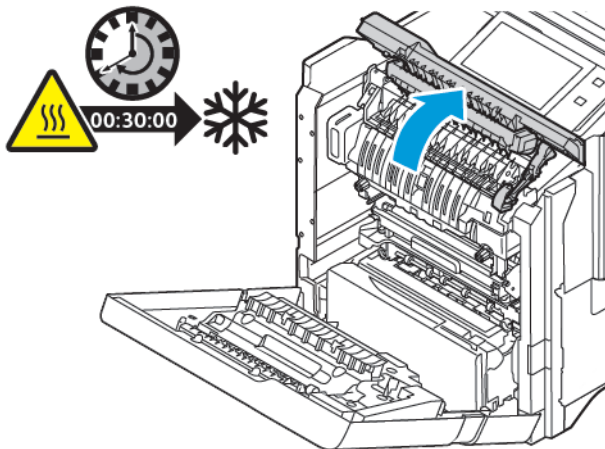


2. At the front-side of the printer, open Door A.

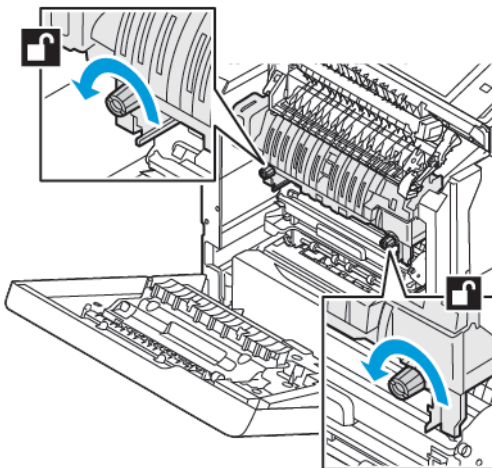


 **CAUTION—HOT SURFACE:** The inside of the printer might be hot. To reduce the risk of injury from a hot component, allow the surface to cool before touching it.

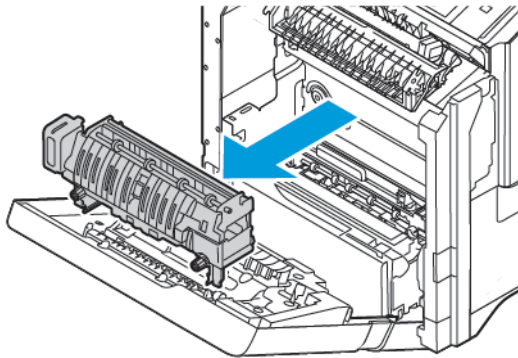
3. Open Door A1 from the inside of the printer.



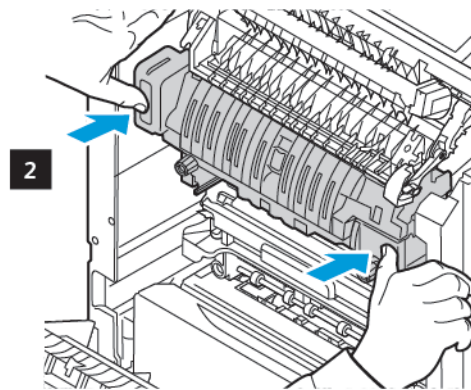
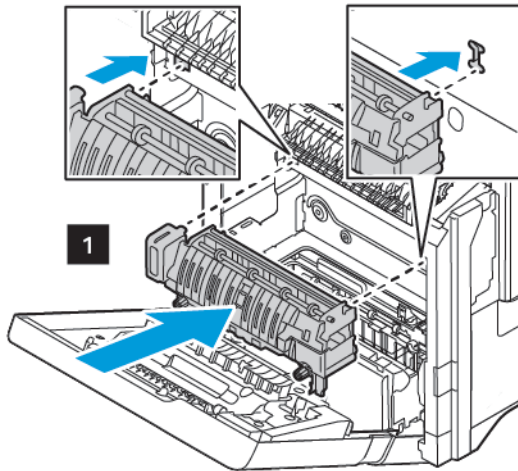
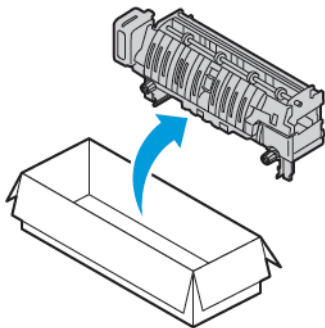
4. To unlock the fuser, rotate both the knobs counterclockwise until the knobs spring forward.



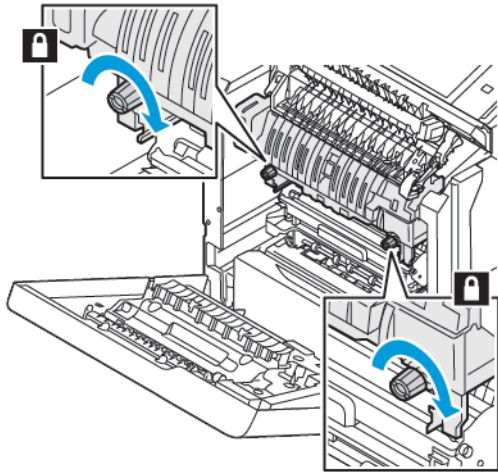
5. Remove the fuser unit from the printer.



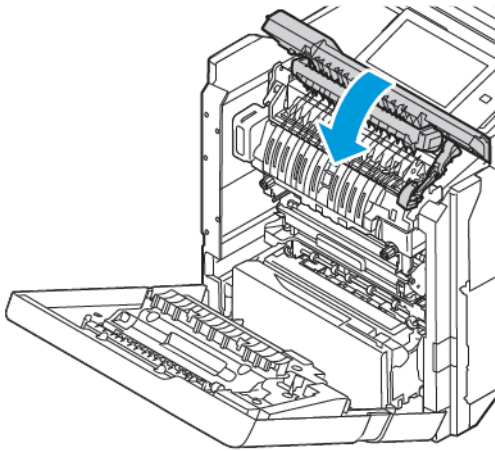
6. Unpack and insert the new fuser unit into the printer until it clicks into place.



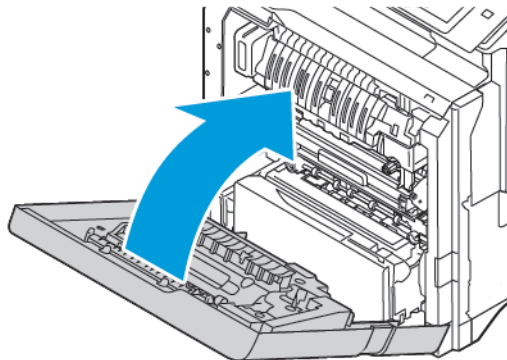
7. To lock the fuser, rotate both the knobs clockwise until it is tight.



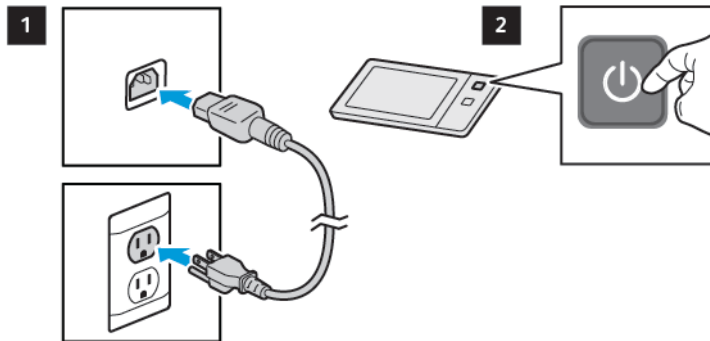
8. Close Door A1.



9. Close Door A.

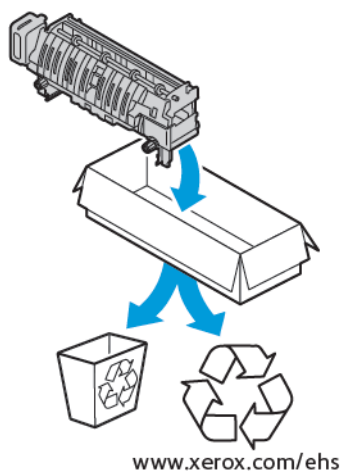


10. Connect the power cord to the electrical outlet, then turn on the printer.



**⚠ CAUTION—POTENTIAL INJURY:** To avoid the risk of fire or electrical shock, connect the power cord to an appropriately rated and properly grounded electrical outlet that is near the product and easily accessible.

11. Dispose the used fuser unit.



### RECYCLING SUPPLIES

For information on Xerox® supplies recycling programs, go to [www.xerox.com/environment](http://www.xerox.com/environment).

Supplies include a prepaid return label. Use it to return the used components in their original boxes for recycling.

### RESETTING SUPPLY LIFE COUNTERS

You must reset the supply life counters when you replace some supplies.

1. At the printer control panel, press the **Home** button.
2. Touch the **Log In** button, enter the system administrator login information, then touch **Done**. For details, refer to the *System Administrator Guide* at [www.xerox.com/office/VLC620docs](http://www.xerox.com/office/VLC620docs).
3. Touch **Device > Tools > Device Settings > Supplies**.

4. Touch **Supply Counter Reset**.
5. To select an item to reset, touch the supply item in the list, then touch **Reset Counter**.
6. On the confirmation screen, touch **Reset**.
7. To return to the Tools screen, touch **X**, then touch **X** again.
8. To return to the Home screen, press the **Home** button.
9. Touch the **Log In** button, then touch **Logout**.



## Managing the Printer

### VIEWING THE METER READING

The Billing/Usage menu displays the total number of impressions that the printer generated or printed during its lifetime. You cannot reset the counters. A page is counted as one side of a sheet of paper. For example, a sheet of paper that is printed on two sides counts as two impressions.



Note: If you provide regular billing information for your device, you can use the Remote Services Upload feature to simplify the process. You can enable Remote Services to send billing meter readings to Xerox automatically so that you do not have to collect the readings manually. Refer to the System Administrator Guide for further information.

To view the billing information for your printer:

1. At the printer control panel, press the **Home** button.
2. Touch **Device > Billing/Usage**.
3. To view more details, touch **Usage Counters**, then select an option.
4. After viewing the usage readings, to return to the Device screen touch **X**, then touch **X** again.
5. To return to the Home screen, press the **Home** button.

### PRINTING THE BILLING SUMMARY REPORT

The Billing Summary Report provides information about the device and a detailed listing of the billing meters and sheet counts.

To print the Billing Summary Report:

1. At the printer control panel, press the **Home** button.
2. Touch **Device > Information Pages**.
3. Touch **Billing Summary**, then touch **Print**.
4. To return to the Home screen, press the **Home** button.

## Moving the Printer

- Always power off the printer and wait for the printer to shut down. To power off the printer, verify that there are no jobs in the queue, then press the secondary power switch. After the touch screen goes dark, wait 10 seconds, then power off the main power switch. For details, refer to [Power Options](#).
- Disconnect the power cord from the back of the printer.
- To avoid spilling toner, keep the printer level.



Note: When moving the printer over a long distance, remove the toner cartridges to prevent toner from spilling. Package the printer into a box.

**Warning:** Failure to repackage the printer properly for shipment can result in damage not covered by the Xerox® Warranty or Service Agreement. The Xerox® Warranty or Service Agreement do not cover damage to the printer caused by improper moving.

# Troubleshooting

This chapter contains:

General Troubleshooting .....	196
Paper Jams .....	204
Print Problems .....	215
Getting Help .....	223

## General Troubleshooting

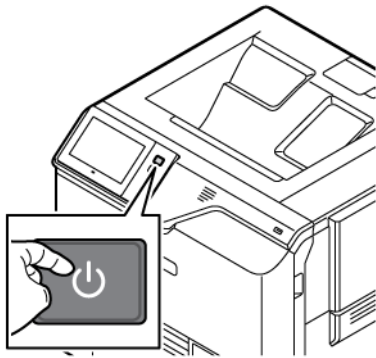
This section contains procedures to help you locate and resolve problems. Resolve some problems by simply restarting the printer.

### RESTARTING THE PRINTER

The printer has one power switch. The power switch is the Power/Wake button on the control panel. The Power/Wake button controls power to the printer electronic components, and when powered off, initiates a software-controlled shutdown. The preferred method to power on and off the printer is to use the Power/Wake button.

To operate the printer, power on the switches:

1. Power on the main power switch that connects the printer to the power outlet.
2. At the control panel, press the **Power/Wake** button.



3. To restart the printer:
  - a. At the control panel, press the **Power/Wake** button, then touch **Restart**. A message appears on the control panel that warns you that the printer is restarting.
  - b. If the printer does not restart after several minutes, power off the main power switch. To restart the printer, power on the main switch, then press the **Power/Wake** button on the control panel.

If restarting the printer does not resolve the issue, see the table in this chapter that best describes the problem.

### PRINTER DOES NOT POWER ON

PROBABLE CAUSES	SOLUTIONS
The power switch is not switched on.	<ul style="list-style-type: none"> <li>• Check that the printer is connected to a power outlet.</li> <li>• At the printer control panel, press the <b>Power/Wake</b> button. For details, refer to <a href="#">Power Options</a>.</li> </ul>
The power cord is not plugged into the outlet correctly.	Power off the printer, then plug the power cord into the outlet securely. Use the bracket provided with the printer to secure the power cord in place.

PROBABLE CAUSES	SOLUTIONS
Something is wrong with the outlet connected to the printer.	<ul style="list-style-type: none"> <li>Plug another electrical appliance into the outlet and check if it operates properly.</li> <li>Try a different outlet.</li> </ul>
The printer is connected to an outlet with a voltage or frequency that does not match the printer specifications.	Use a power source with the specifications listed in the <a href="#">Electrical Specifications</a> .

**Warning:** Plug the three-wire cord with grounding prong directly into a grounded AC outlet. Do not use a power strip. If necessary, contact a licensed electrician to install a properly grounded outlet.

### PRINTER RESETS OR POWERS OFF FREQUENTLY

PROBABLE CAUSES	SOLUTIONS
The power cord is not plugged into the outlet correctly.	Power off the printer. Confirm that the power cord is plugged in correctly to the printer and the outlet, then power on the printer.
A system error occurred.	Power off the printer, then power on again. If the error persists, contact your Xerox representative.
The printer is connected to an uninterruptible power supply (UPS), extension cord, or power strip.	Only use an extension cord designed to handle the electrical current capacity of the printer. For details, refer to <a href="#">Electrical Specifications</a> .
A network configuration problem exists.	Unplug the network cable. If the problem is not resolved, contact your system administrator to reconfigure your network installation.
The printer is connected to an outlet with a voltage or frequency that does not match the printer specifications.	Use a power source with the specifications listed in <a href="#">Electrical Specifications</a> .

### PRINTER DOES NOT PRINT

PROBABLE CAUSES	SOLUTIONS
The printer is in Power Saver mode.	On the control panel, press the <b>Power/Wake</b> button.
There is a printer error.	If the Status LED is blinking amber, there is an error. To clear the error, follow the instructions on the control panel. If the error persists, contact your Xerox representative.
The paper tray is empty.	Load paper into the tray.
The printer toner cartridge is empty.	Replace the toner cartridge.


PROBABLE CAUSES	SOLUTIONS
All control panel indicators are off.	Power off the printer, confirm that the power cord is plugged in correctly to the printer and the outlet, then power on the printer. If the error persists, contact your Xerox representative.
The printer is busy.	<ul style="list-style-type: none"> <li>• If the Status LED is flashing blue, check if a previous print job is the problem.                             <ol style="list-style-type: none"> <li>1 At your computer, use the printer properties to delete all print jobs in the print queue.</li> <li>2 At the control panel, touch <b>Jobs</b>, then delete all pending print jobs.</li> </ol> </li> <li>• Load the paper in the tray.</li> <li>• If the Status LED does not flash once after you send a print job, check the connection between the printer and the computer. Power off the printer, then power on.</li> </ul>
The printer cable is disconnected.	If the Status LED does not flash once after you send a print job, check the connection between the printer and the computer.
There is a wireless or network connectivity issue.	<p>To test the printer, print an Information Page, such as the Basic Configuration Report. If the page prints, there could be a wireless or network connectivity issue.</p> <p>Contact your system administrator or refer to the <i>System Administrator Guide</i> at <a href="http://www.xerox.com/office/VLC620docs">www.xerox.com/office/VLC620docs</a>.</p>
Incorrect print driver.	Check that you have the latest print driver installed. For details, go to <a href="http://www.xerox.com/office/VLC620support">www.xerox.com/office/VLC620support</a> .

### PRINTING TAKES TOO LONG

PROBABLE CAUSES	SOLUTIONS
The printer is set to print on a paper type that requires slower printing.	Certain paper type, like heavyweight paper takes more time to print. Ensure that the print driver and control panel are set to the proper paper type.
The printer is in Power Saver mode.	Wait. It takes time for printing to start after the printer exits Power Saver mode.


PROBABLE CAUSES	SOLUTIONS
<p>The way the printer was installed on the network could be an issue.</p>	<ul style="list-style-type: none"> <li>• Determine if a print spooler or a computer sharing the printer is buffering all print jobs, then spooling them to the printer. Spooling can slow print speeds.</li> <li>• To test the speed of the printer, print multiple copies of an information page, such as a demo page. If the page prints at the rated speed of the printer, there could be a network or printer installation issue. For additional help, contact the system administrator.</li> </ul>
<p>The job is complex.</p>	<p>Wait. No action needed.</p>

**DOCUMENT FAILS TO PRINT**

PROBABLE CAUSES	SOLUTIONS
<p>Selected tray has wrong paper size loaded, or paper type or color is not available.</p>	<p>To view the Job Status for a failed print on the touch screen:</p> <ol style="list-style-type: none"> <li>1 At the printer control panel, press the <b>Home</b> button.</li> <li>2 Touch <b>Jobs</b>.</li> <li>3 From the jobs list, touch the held job name. The resources required for the job appear on the control panel.</li> <li>4 Do one of the following: <ul style="list-style-type: none"> <li>• To print the job, replenish the resources required. The job resumes automatically when the required resources are available. If the job does not print automatically, touch <b>Resume</b>.</li> <li>• To choose an alternative paper source to enable the job to print, touch the name of held job, then touch <b>Print On Alternate Paper</b>. Select a paper tray, then touch <b>OK</b>.</li> <li>• To delete the print job, touch <b>Delete</b>. At the prompt, touch <b>Delete</b>.</li> </ul> </li> </ol> <p> Note: The <b>Print On Alternate Paper</b> option is enabled using the Embedded Web Server. For details about the Print On Alternate Paper option, refer to the <i>System Administrator Guide</i> at <a href="http://www.xerox.com/office/VLC620docs">www.xerox.com/office/VLC620docs</a>.</p> <ol style="list-style-type: none"> <li>5 To return to the Home screen, press the <b>Home</b> button.</li> </ol>
<p>Incorrect network settings.</p>	<p>To reset network settings, contact your system administrator or refer to the <i>System Administrator Guide</i> at <a href="http://www.xerox.com/office/VLC620docs">www.xerox.com/office/VLC620docs</a>.</p>
<p>The way the printer was installed on the network could be an issue.</p>	<ul style="list-style-type: none"> <li>• Ensure that the printer is connected to the network.</li> <li>• Determine if a print spooler or a computer sharing the printer is buffering all print jobs, then spooling them to the printer. Spooling can slow print speeds.</li> <li>• To test the printer, print an information page, such as the Basic Configuration Report. If the page prints, there could be a network or printer installation issue. For help, contact your system administrator.</li> </ul>
<p>Application and print driver have conflicting tray selections.</p>	<p>For details, refer to <a href="#">Document Prints from Wrong Tray</a>.</p>



### DOCUMENT PRINTS FROM WRONG TRAY

PROBABLE CAUSES	SOLUTIONS
Application and print driver have conflicting tray selections.	<ol style="list-style-type: none"> <li>1 Check the tray selected in the print driver.</li> <li>2 Access the page setup or printer settings of the application from which you are printing.</li> <li>3 Set the paper source to match the tray selected in the print driver or set the paper source to <b>Automatically Select</b>.</li> <li>4 Check that you have the latest print driver installed. For details, go to <a href="http://www.xerox.com/office/VLC620support">www.xerox.com/office/VLC620support</a>.</li> </ol> <p> Note: To have the print driver select the tray, set the tray used as the paper source to <b>Auto Selection Enabled</b>.</p>

### EMPTY OR PARTIALLY PRINTED DOCUMENT

PROBABLE CAUSES	SOLUTIONS
Packaging materials are not removed from the toner cartridge.	<ol style="list-style-type: none"> <li>1 Ensure to remove the packaging materials from the toner cartridge.</li> <li>2 Ensure that there is enough toner.</li> </ol>

### PRINTER IS MAKING UNUSUAL NOISES

PROBABLE CAUSES	SOLUTIONS
One of the trays is not installed correctly.	Open and close the tray from which you are printing.
There is an obstruction or debris inside the printer.	Power off the printer and remove the obstruction or debris. If you cannot remove the obstruction, contact your Xerox® service representative.
The printer beeps at each touch on the control panel.	Check the Alerts setting. For details, refer to the <i>System Administrator Guide</i> at <a href="http://www.xerox.com/office/VLC620docs">www.xerox.com/office/VLC620docs</a> .

### AUTOMATIC 2-SIDED PRINTING PROBLEMS

PROBABLE CAUSES	SOLUTIONS
Unsupported or incorrect paper.	Ensure that you are using the correct paper. Do not use envelopes, or labels for automatic 2-sided printing. For details, refer to <a href="#">Supported Paper</a> .
Incorrect setting.	On the print driver Printing Options tab, select <b>2-Sided Print</b> .

### DATE AND TIME ARE INCORRECT

PROBABLE CAUSES	SOLUTIONS
The Date and Time Setup is set to Manual (NTP Disabled).	To change the Date and Time to Automatic, in the Embedded Web Server, enable NTP. For details, refer to the <i>System Administrator Guide</i> at <a href="http://www.xerox.com/office/VLC620docs">www.xerox.com/office/VLC620docs</a> .
The time zone, date, or time is set incorrectly.	Set the time zone, date, and time manually. For details, refer to the <i>System Administrator Guide</i> at <a href="http://www.xerox.com/office/VLC620docs">www.xerox.com/office/VLC620docs</a> .

**WIRELESS NETWORK ADAPTER PROBLEMS**

PROBABLE CAUSES	SOLUTIONS
<p>The device does not recognize the Wireless Network Adapter.</p>	<ul style="list-style-type: none"> <li>• Ensure that the Wireless Network Adapter is installed in an active USB port. For details, refer to the <i>System Administrator Guide</i> at <a href="http://www.xerox.com/office/VLC620docs">www.xerox.com/office/VLC620docs</a>.</li> <li>• If extension cable is used, ensure that it is attached to the Wireless Network Adapter correctly.</li> <li>• Ensure that the correct Wireless Network Adapter is installed. The compatibility of the Wireless Network Adapter is dependent on the device model and software version.</li> </ul>
<p>Degradation in performance has occurred.</p>	<p>Check the wireless signal strength for the Wireless Network Adapter. For details, refer to the <i>System Administrator Guide</i> at <a href="http://www.xerox.com/office/VLC620docs">www.xerox.com/office/VLC620docs</a>. If the wireless signal strength is low, do the following:</p> <ul style="list-style-type: none"> <li>• Place the wireless router or Access Point (AP) in a centralized location.</li> <li>• Position the Wireless Network Adapter closer to the AP, and ensure that the wireless router or AP is located away from walls or large metal objects.</li> <li>• Remove any physical obstructions between the AP and the Wireless Network Adapter, and ensure that the adapter is positioned away from walls or large metal objects.</li> <li>• Position the Wireless Network Adapter on the Xerox device in direct view of the wireless router or AP.</li> <li>• If applicable, consider upgrading the wireless router or AP to a high-gain antenna that transmits the wireless signals in one direction only.</li> </ul>

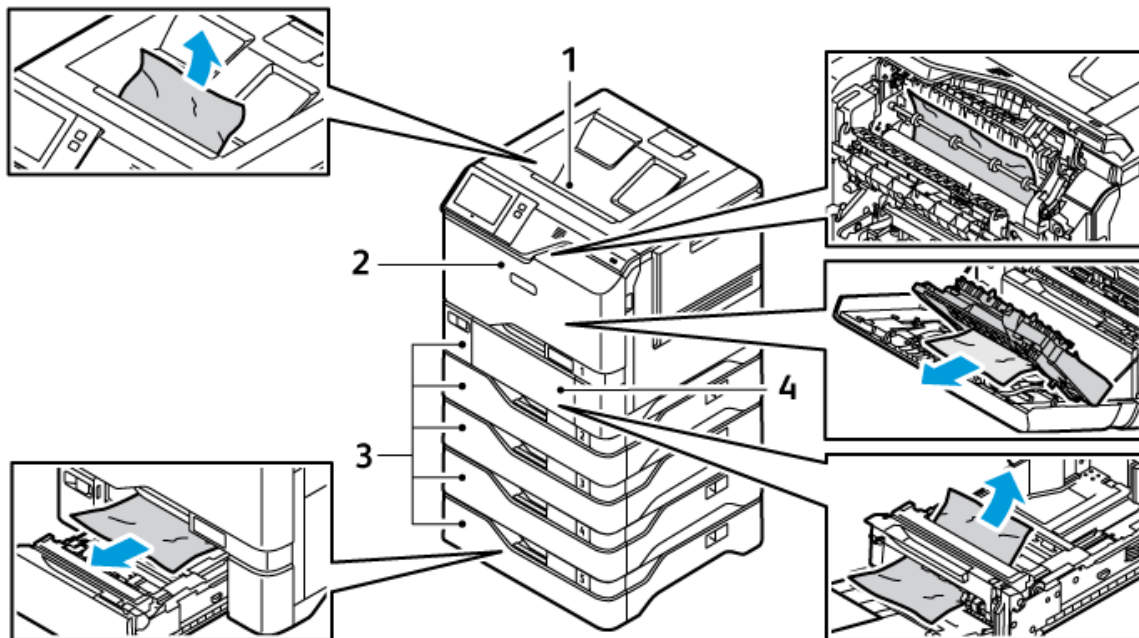
## Paper Jams

### LOCATING PAPER JAMS

**⚠ Caution:** Parts that are near the fuser are hot. To prevent personal injury, never touch an area that has a Caution label. Power off the printer immediately, then wait 40 minutes for the fuser to cool. After the printer has cooled, try to remove the jammed paper. If the error on the control panel remains, contact your Xerox representative.

**⚠ Warning:** Do not attempt to clear any paper jams using tools or instruments. This action can damage the printer permanently.

The following illustration shows where paper jams can occur along the paper path:



1. Center Output Tray
2. Door A, Front Door
3. Paper Trays 1–5
4. Bypass Tray

### MINIMIZING PAPER JAMS

The printer is designed to function with minimal paper jams using Xerox supported paper. Other paper types can cause jams. If supported paper is jamming frequently in one area, clean that area of the paper path. To avoid damage, always remove jammed paper carefully without tearing it. Try to remove the paper in the same direction it normally moves through the printer. Even a small piece of paper left in the printer can cause a jam. Do not reload paper that has jammed.

The following can cause paper jams:

- Using damaged paper.
- Using unsupported paper.
- Loading paper incorrectly.
- Overfilling the tray.
- Adjusting the paper guides improperly.

Most jams can be prevented by following a simple set of rules:

- Use only supported paper. For details, refer to [Supported Paper](#).
- Follow proper paper handling and loading techniques.
- Always use clean, undamaged paper.
- Avoid paper that is curled, torn, moist, creased, or folded.
- To separate the sheets before loading into the tray, fan the paper.
- Observe the paper tray fill line; never overfill the tray.
- Adjust the paper guides in all trays after inserting the paper. A guide that is not properly adjusted can cause poor print quality, misfeeds, skewed prints, and printer damage.
- After loading the trays, select the correct paper type and size on the control panel.
- Store paper in a dry location.
- Use only Xerox paper designed for the printer.

Avoid the following:

- Polyester coated paper that is designed especially for inkjet printers.
- Highly glossy or coated paper, when they are not supported.
- Paper that is folded, wrinkled, or excessively curled.
- Loading more than one type, size, or weight of paper in a tray at the same time.
- Overfilling the paper trays.
- Allowing the output tray to overfill.

## CLEARING PAPER JAMS

To clear jams, watch the video and follow the instructions on the control panel. To resolve the error that appears on the control panel, remove all paper from the areas shown. If the error does not clear, check the jam areas again to ensure that all paper has been removed. Ensure that all levers, covers, and doors have been closed correctly.

To avoid damage, always remove jammed paper carefully without tearing it. Try to remove the paper in the same direction it normally moves through the printer. Even a small piece of paper left in the printer can cause a jam. Do not reload paper that has jammed.



Note: Do not touch the printed side of the paper when removing it. The printed side of jammed pages could smudge, and the toner could stick to your hands. Avoid spilling any toner inside the printer.



**Caution:** If you accidentally get toner on your clothes, lightly dust them off as best as you can. If some toner remains on your clothes, use cool water, not hot, to rinse off the toner. If toner gets on your skin, wash it off with cool water and a mild soap. If you get toner in your eyes, wash it out immediately with cool water and consult a doctor.

## Paper Tray Jams

If a jam occurs in the paper tray areas, a message appears to indicate the areas or paper tray that requires clearing. To clear the jam, follow the instructions on the touch screen to locate the jammed paper, then clear the jam. When removing jammed paper from the device, remove the paper in the direction it was feeding, and take care not to leave any remnants of paper in the device.

After the paper tray jam has been cleared, the device continues printing the job from where the job stopped.

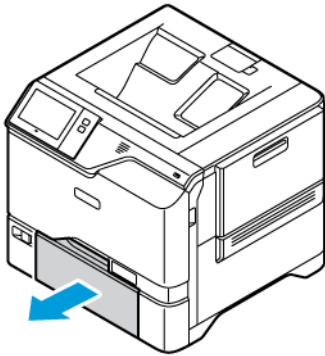
If further paper tray jams are experienced, try to load fresh paper in the paper tray. The paper could have excessive curl, excessive moisture, or be damaged.

For more information about paper jam causes and potential solutions, refer to [Paper Misfeeds and Paper Size Jams](#).

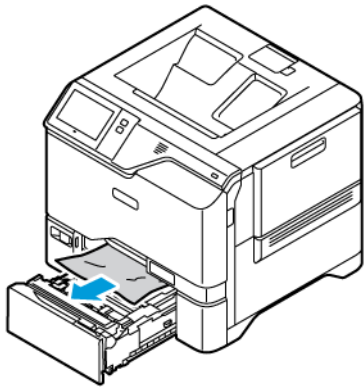
### Clearing Jams at Trays 1–5

To clear the paper jams at Trays 1–5:

1. Pull out the tray until it stops.



2. Remove the jammed paper from the tray.



3. If the paper is torn, remove the tray completely, then check inside the printer for torn pieces of paper.
4. Reload the tray with undamaged paper, then push the tray in until it stops.

5. At the control panel, if a prompt appears, select correct size, type, and color of the paper.
  - To select a new paper size, touch **Size**.
  - To select a new paper type, touch **Type**.
  - To select a new paper color, touch **Color**.
  - To confirm the settings, touch **Confirm**.

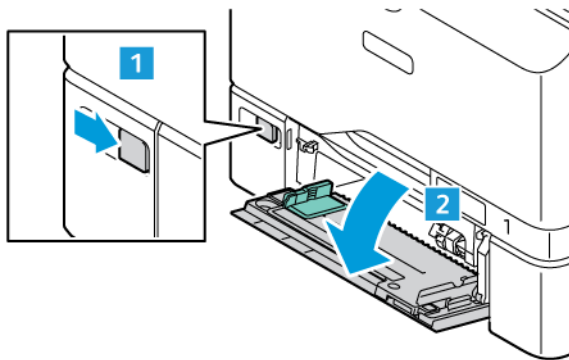
 Note: To configure settings when the prompt is displayed, update the **Required Paper Policies** in Embedded Web Server. For details, refer to the *System Administrator Guide* at [www.xerox.com/office/VLC620docs](http://www.xerox.com/office/VLC620docs).

6. To return to the Home screen, press the **Home** button.

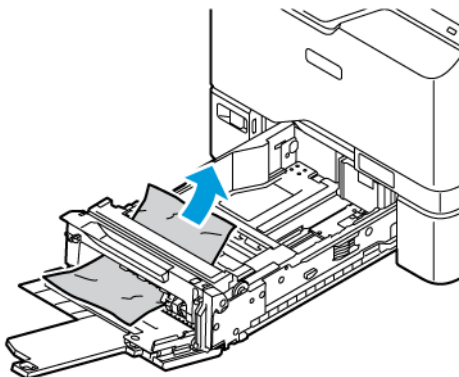
### Clearing Jams at Bypass Tray

To clear the paper jams at Bypass Tray:

1. To open the Bypass Tray, push the release latch (1) at the front-left side of Tray 1.

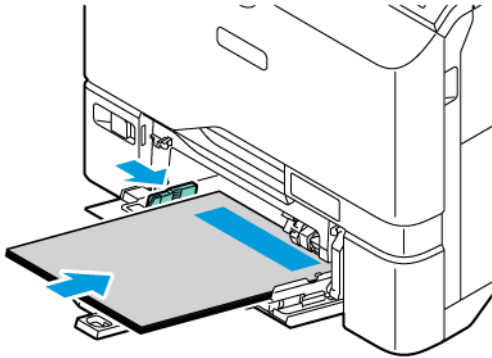


2. Remove the jammed paper from the tray. Ensure that the paper feed entrance, where the tray connects to the printer, is clear.



3. If the paper is torn, check inside the printer for torn pieces of paper.
4. Fan the paper that you removed from the tray and ensure that all four corners of the paper are well aligned.

5. Insert the paper into the Bypass Tray. Ensure that the leading edge of the paper touches the paper feed entrance.



6. At the control panel, select correct size, type, and color of the paper.
  - To select a new paper size, touch **Size**.
  - To select a new paper type, touch **Type**.
  - To select a new paper color, touch **Color**.
7. To confirm the settings, touch **Confirm**.

### Clearing Jams at Door A

To clear paper jams from inside the printer front door, Door A, do the following.

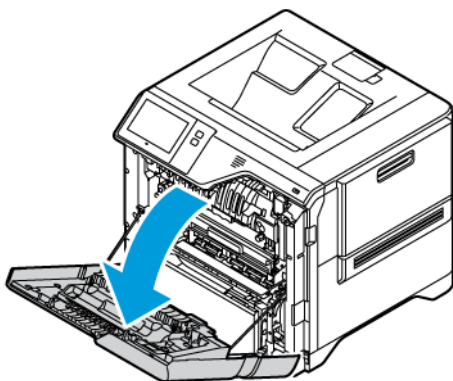
#### Clearing Jams in the Fuser Unit

To clear the paper jams in the fuser unit:

1. Open Door A.

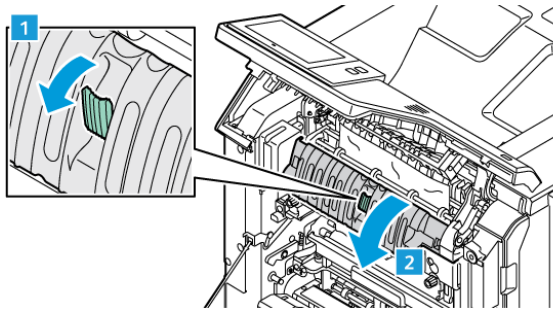


**Caution:** The inside of the printer might be hot. To reduce the risk of injury from a hot component, allow the surface of the printer to cool down before touching.




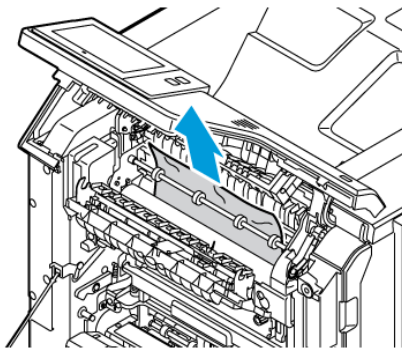


- To open the fuser access cover, press the button.

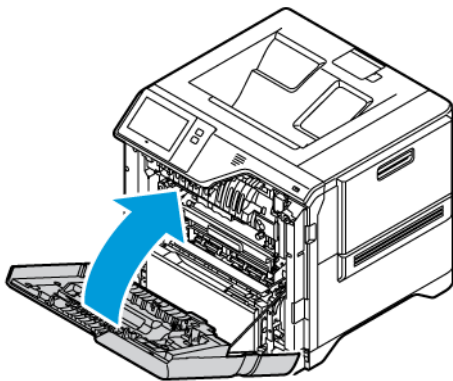


- Remove the jammed paper.

 Note: Ensure that all paper fragments are removed.




- Close the fuser access cover, then close Door A.

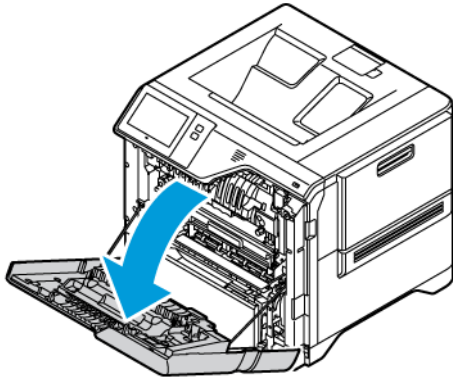


#### Clearing Jams from the Inner Cover of Door A

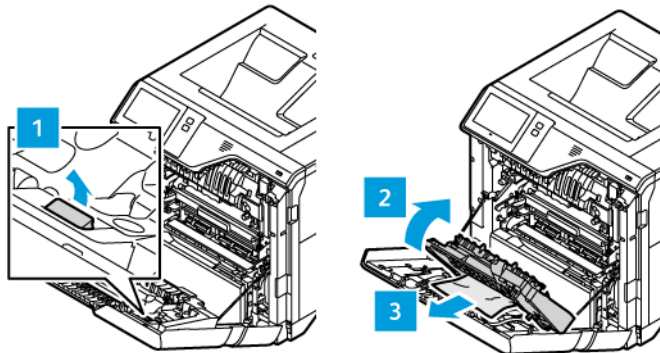
To clear the paper jams from the inner cover of Door A, do the following:

1. Open the printer front door, Door A.

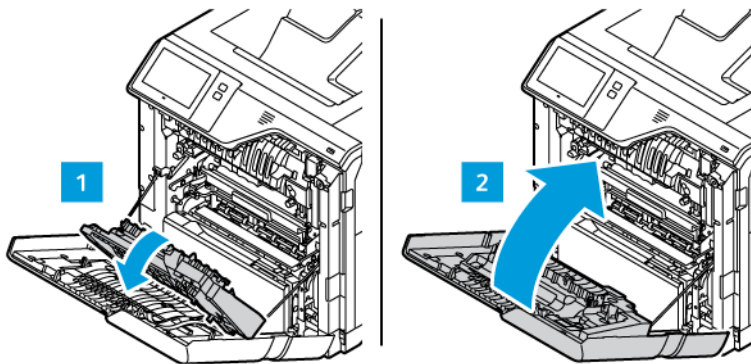
 **Caution:** The inside of the printer might be hot. To reduce the risk of injury from a hot component, allow the surface of the printer to cool down before touching.



2. To open the inner cover of Door A, press the button, then remove the jammed paper.



3. Close the inner cover, then close Door A.

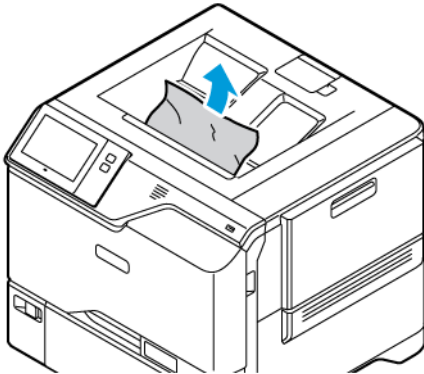


### Clearing Jams at Output Tray


To clear the paper jams at the output tray:

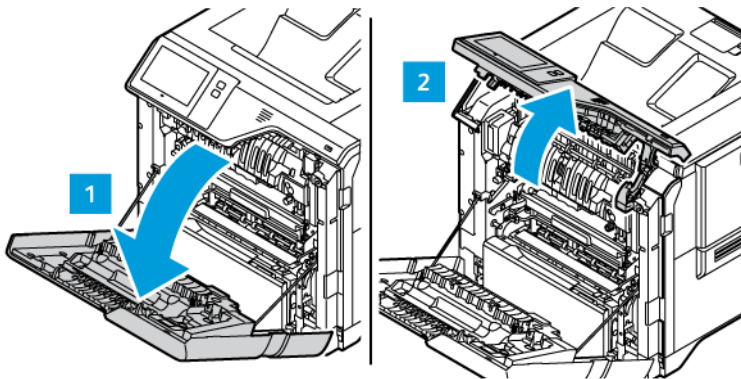
1. At the output tray, remove the jammed paper.

 Note: Ensure that all paper fragments are removed.

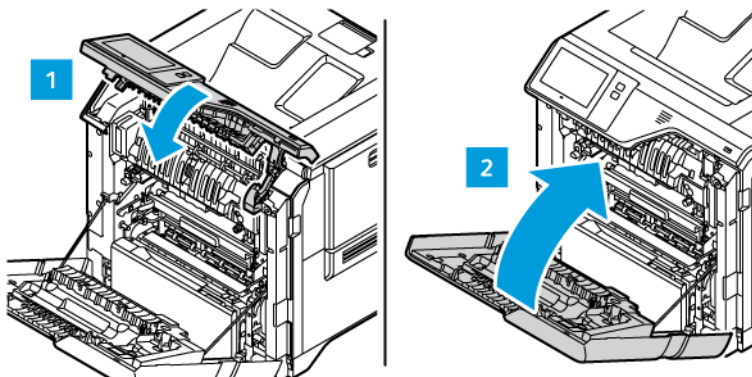


2. Open the printer front door, Door A, and Cover A1. Remove any paper fragments.

 **Caution:** The inside of the printer might be hot. To reduce the risk of injury from a hot component, allow the surface of the printer to cool down before touching.



3. Close Cover A1 and the printer front door, Door A.



## TROUBLESHOOTING PAPER JAMS


### Multiple Sheets Pulled Together

PROBABLE CAUSES	SOLUTIONS
The paper tray is too full.	Remove some of the paper. Do not load paper past fill line.
The edges of the paper are not even.	Remove the paper, align the edges, then reload it.
The paper is moist from humidity.	Remove the paper from the tray, and replace it with new dry paper.
Too much static electricity is present.	Try a new ream of paper
Using unsupported paper.	Use only Xerox approved paper. For details, refer to <a href="#">Supported Paper</a> .
Humidity is too high for coated paper.	Feed paper one sheet at a time.

### Paper Misfeeds and Paper Size Jams


PROBABLE CAUSES	SOLUTIONS
The paper is not correctly positioned in the tray.	<ul style="list-style-type: none"> <li>Remove the misfed paper and reposition it properly in the tray.</li> <li>Adjust the paper guides in the tray to match the size of the paper.</li> </ul>
The paper tray is too full.	Remove some of the paper. Do not load paper past the fill line.
The paper guides are not correctly adjusted to the paper size.	<ol style="list-style-type: none"> <li>Remove the paper.</li> <li>Adjust the paper guides in the tray to match the size of the paper.</li> <li>Replace the paper.</li> </ol>
The tray contains warped or wrinkled paper.	Remove the paper, smooth it out, and reload it. If it still misfeeds, do not use that paper.
The paper is moist from humidity.	Remove the moist paper and replace it with new, dry paper.
Using paper of the wrong size, thickness, or type.	Use only Xerox approved paper. For details, refer to <a href="#">Supported Paper</a> .

### Label and Envelope Misfeeds

PROBABLE CAUSES	SOLUTIONS
The label sheet is facing the wrong way in the tray.	<p>Load label sheets according to the instructions from the manufacturer.</p> <p>Load labels face up in Trays 1–5 and Bypass Tray.</p> <p>For loading labels with correct orientation, refer to <a href="#">Labels</a>.</p>
Envelopes are loaded incorrectly or in the wrong tray.	<p>Use Trays 1–5 and Bypass Tray to print envelopes.</p> <p>For loading envelopes with correct orientation, refer to <a href="#">Envelopes</a>.</p>
Envelopes are loaded incorrectly in Bypass Tray.	<p>To load envelopes in Bypass Tray:</p> <ul style="list-style-type: none"> <li>• For envelopes with the flap on a long edge, load envelopes with the flaps on the top and closed. Keep the flaps toward the right.</li> <li>• For envelopes with the self-seal or non-adhesive flap on a short edge, load envelopes with the flaps on the top and closed. Insert the envelope with the flap toward the feed direction.</li> <li>• For the custom-size envelopes, when the flap is on the short edge and the long edge is longer than 216 mm (8.5 in.), load envelopes with the flaps on the top and closed. Insert the envelope with the flap toward the feed direction. For custom-size envelopes, define the custom size on the control panel.</li> </ul> <p> Note: Unless the long edge is longer than 216 mm (8.5 in.) or the short edge is less than the minimum width of the feeder, the flap of the envelop should always be to the right.</p>

### Paper Jam Message Stays On

PROBABLE CAUSES	SOLUTIONS
Some paper remains jammed in the printer.	Recheck the media path and ensure that you have removed all of the jammed paper.
One of the printer door is open.	Check the doors on the printer. Close any door that is open.

 Note: Check for, and remove, torn pieces of paper in the paper path.

### Jams During Automatic 2-Sided Printing

PROBABLE CAUSES	SOLUTIONS
Using paper of the wrong size, thickness, or type.	Use paper of the correct size, thickness, or type. For details, refer to <a href="#">Supported Paper</a> .
Paper type is set incorrectly in the print driver.	Ensure that the paper type is set correctly in the driver and that the paper is loaded in the correct tray. For details, refer to <a href="#">Supported Paper</a> .
Paper is loaded in the wrong tray.	Ensure that paper is loaded into the correct tray. For details, refer to <a href="#">Supported Paper</a> .
Tray is loaded with mixed paper.	Load the tray with only one type and size of paper.

## Print Problems

### IDENTIFYING PRINT PROBLEMS

Problems with the output quality of your printer can be print-related. A quick test can help you to identify where a problem exists.

To identify if a problem is print-related, do the following:

1. Print the *Getting Started* guide:
  - a. At the printer control panel, press the **Home** button.
  - b. Touch **Device**, then touch **Information Pages**.
  - c. Touch **Getting Started**, then touch **Print**.
  - d. To return to the Home screen, press the **Home** button.
2. Check the quality of the printed output.
3. If the print quality appears poor, the problem is print-related. For possible solutions, refer to [Print-Quality Problems and Solutions](#).



Note: Ensure that the packaging materials are removed from the toner cartridge.

### PRINT-QUALITY PROBLEMS

Your printer is designed to produce consistently high-quality prints. If you observe print-quality problems, use the information in this section to troubleshoot the problem. For more information, go to [www.xerox.com/office/VLC620support](http://www.xerox.com/office/VLC620support).

**Warning:** The Xerox Warranty or Service Agreement does not cover damage caused by using unsupported paper or specialty media. For more information, contact your local Xerox representative.



Note:

- To ensure consistent print quality, the toner cartridges for many devices are designed to cease functioning at a predetermined point.
- Grayscale images printed with the composite black setting increment the color pages counter, because color consumables are used. Composite black is the default setting on most printers.

### Controlling Print Quality

Various factors can affect the quality of the output of your printer. For consistent and optimum print quality, use paper designed for your printer, and correctly set the Print-Quality Mode and Color Adjustments. Follow the guidelines in this section to maintain optimum print quality from your printer.

Temperature and humidity affect the quality of the printed output. For details, refer to [Environmental Specifications](#).

## Paper and Media

Your printer is designed to use various paper and other media types. Follow the guidelines in this section for the best print quality and to avoid jams:

- Use only Xerox approved paper. For details, refer to [Supported Paper](#).
- Use only dry and undamaged paper.

**Warning:** Some paper and other media types can cause poor output quality, increased paper jams, or damage your printer. Do not use the following:

- Rough or porous paper
- Inkjet paper
- Glossy or coated paper
- Paper that has been photocopied
- Paper that has been folded or wrinkled
- Paper with cutouts or perforations
- Stapled paper
- Envelopes with windows, metal clasps, side seams, or adhesives with release strips
- Padded envelopes
- Plastic media
- Iron-on transfer paper

- Ensure the paper type selected in your print driver matches the paper type on which you are printing.
- If you have the same size paper loaded in more than one tray, let the printer select the proper tray according to media and tray priority.
- Do not load more than one type, size, or weight of paper in the tray at a time.
- Store your paper and other media properly for optimum print quality. For details, refer to [Paper Storage Guidelines](#).

## Print-Quality Modes

Select the correct print-quality setting for your print job from the print driver. For instructions on setting the print quality, refer to [Printing](#). To control the print quality:

- Use the print-quality settings in the print driver to control print quality. If the print quality is not suitable, adjust the print-quality setting to an higher level.
- Use only Xerox approved paper. For details, refer to [Supported Paper](#).

## Color Corrections and Color Adjustments

For best printing results of mixed text, graphics, and images on a range of supported paper, set the Color Correction feature to **Xerox Automatic Color**. For instructions on setting the Color Correction feature, refer to [Image Options](#). Follow these guidelines to control color corrections and color adjustments:



- For best results on most paper, ensure that the color correction option in the print driver is set to the recommended setting **Xerox Automatic Color**.
- To produce more vivid results, select a mode of color correction. For example, when printing graphics in which the sky does not look blue enough, for a more vibrant blue sky, select **Vivid Color**.
- To match the color output to another output device, select a custom Color Correction option.
- To apply different color corrections to text, graphics, and images, select **Custom Automatic Color**. The Custom Automatic Color feature provides custom color corrections using color systems such as RGB color, CMYK color, spot color, or CIE color.
- To adjust particular characteristics of the printed color, such as lightness, contrast, saturation, and color casts, select **Color Adjustments**.

### Solving Print-Quality Problems

Your printer is designed to produce high-quality prints consistently. If you observe print-quality problems, use the information in this section to troubleshoot the problem. For more information, go to [www.xerox.com/office/VLC620support](http://www.xerox.com/office/VLC620support).

**Warning:** The Xerox Warranty or Service Agreement does not cover damage caused by using unsupported paper or specialty media. For more information, contact your local Xerox representative.



Note: To enhance the print quality, the toner cartridges for many models are designed to cease functioning at a predetermined point.

### Printing the Troubleshooting Print-Quality Pages

1. At the printer control panel, press the **Home** button.
2. Touch **Device**.
3. Touch **Information Pages**.
4. To print procedures on resolving print-quality problems, touch **Troubleshooting Print Quality Page**, then touch **Print**.
5. Compare your print-quality problems to the examples on the pages.

### Eliminating the Paper or Media as the Problem

Damaged or unsupported paper or media can cause print-quality problems even when the printer, application, and print driver are working perfectly. Use the following guidelines to eliminate the paper as the source of the print-quality problem:

- Ensure that the printer supports the paper or media.
- Ensure that the printer is loaded with undamaged, dry paper.
- If the condition of the paper or media is in doubt, replace it with new paper or media.
- Ensure that you have the proper tray selected in the print driver and from the control panel.
- Ensure that you have the correct paper type selected in the print driver and in the control panel of the printer.

### Isolating the Problem to the Printer or to the Application

When you are sure that the paper is supported and in good condition, use the following steps to isolate the problem:

1. From the control panel of the printer, print the pages for Diagnosing Print Quality. For details, refer to [Printing the Troubleshooting Print-Quality Pages](#).
  - If the pages printed properly, the printer is working properly and the print-quality problem is an application, print driver, or print server problem.
  - If the pages still have print-quality problems, the problem is in the printer.
2. If the pages printed properly, refer to [Troubleshooting Print-Quality Problems in the Application, Print Driver, or Print Server](#).
3. If the pages still had print-quality issues, or did not print, refer to [Troubleshooting Print-Quality Problems in the Printer](#).

### Troubleshooting Print-Quality Problems in the Application, Print Driver, or Print Server

If the printer is printing properly from the control panel but you still have print-quality problems, the application, print driver, or print server could be the cause.

To isolate the problem:

1. Print a similar document from another application and look for the same print-quality problems.
2. If the document has the same print-quality problem, it is probably a print driver or print server problem. Check the print driver used for the print job.
  - a. Navigate to the list of printers on your computer:
    - For Windows Server 2012 and later, click **Start > Settings > Printers**.
    - For Windows 10, click **Start > Settings > Devices > Printers & scanners**.
    - For Windows 11 and later, click **Start > Settings > Bluetooth & devices > Printers & scanners**.
  - b. Click on the name of the printer, then select **Printer properties**:
    - For Windows Server 2012 and later, right-click the icon for your printer, then click **Printing properties**.
    - For Windows 10, click the icon for your printer, then click **Manage > Printer properties**.
    - For Windows 11 and later, click the icon for your printer, then click **Printing preferences**.
  - c. Verify the following for your printer:
    - Ensure that the model name in the middle of the driver matches the model name of the printer.
    - If the names do not match, install the proper print driver for the printer.
3. If the print driver is correct, to set the Print Quality Mode and Color Correction, refer to [Printing Features](#).
  - Set the Print-Quality mode to Standard or Enhanced.
  - Set the Color Correction to Xerox® Automatic Color.
4. If the problem persists, delete then reinstall the print driver.



Note: If you are using a custom Start Menu application, it can change the navigation path to your list of printers.

5. If the document printed without a print-quality problem, the application is probably the cause. Restart your printer, restart the application, then print the document again. For more information, refer to [Power Options](#).
6. If the problem still persists, ensure that you are not printing through a print server. If the problem persists, for online support information, go to [www.xerox.com/office/VLC620support](http://www.xerox.com/office/VLC620support).

### Troubleshooting Print-Quality Problems in the Printer

If you have print-quality problems when printing a Graphics Demo Page or the Basic Configuration Report from the control panel, the problem is in the printer.

To find the source of the problem:


1. At the control panel, print the Troubleshooting Print Quality Page. For details, refer to [Printing the Troubleshooting Print-Quality Pages](#).
2. If the prints are too light to see print details, verify the following:
  - The printer is loaded with undamaged, dry supported paper.
  - The toner of one or more of the toner cartridges shows a sufficient level
3. Compare the print-quality problems in your document to each of the examples on the Troubleshooting Print Quality Page.

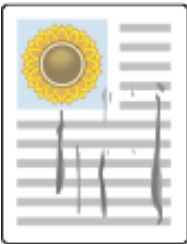
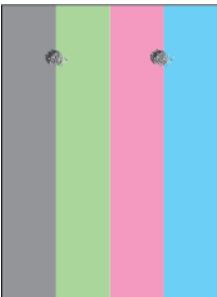

If you find a match on the Troubleshooting Print Quality Page, look in the Solutions column for the action to take to resolve the problem.

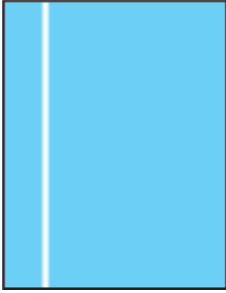



If the problem persists, for online support information, go to [www.xerox.com/office/VLC620support](http://www.xerox.com/office/VLC620support).

### Print-Quality Problems and Solutions

Use the following table to find solutions to print-quality problems.

 Note: At the printer control panel, press the **Home** button. Touch **Device > Information Pages > Troubleshooting Print Quality Page > Print**.

PROBLEM	SOLUTION
<p>Smears, Smudges, and Streaks</p> <p>Dark or light marks appear on your output.</p> 	<p>Run a print job consisting of several blank pages through the printer to remove toner accumulated on the fuser.</p> <p>If the problem persists, print the test pages to help determine which component is causing the image-quality problem.</p> <ul style="list-style-type: none"> <li>• If the defect occurs in one color only, replace the corresponding imaging unit.</li> <li>• If the defect occurs in all colors and is visible on all the test pages, replace the fuser.</li> </ul>
<p>Repeating Spots or Lines</p> <p>Spot or lines appear at regular intervals on the prints.</p> 	<ol style="list-style-type: none"> <li>1 To identify the part of the printer that is causing the problem, print the Repeating Defects page. At the control panel, press the <b>Home</b> button, then touch <b>Device &gt; Tools &gt; Troubleshooting &gt; Support Pages &gt; Repeating Defects Page &gt; Print</b>.</li> <li>2 To identify the part responsible for the repeating spots or lines, follow the instructions on the Repeating Defects page.</li> <li>3 To correct the problem, replace the printer part identified on the Repeating Defects page.</li> </ol>
<p>Colors Too Light or Too Dark</p> <p>The print or color density is too light, missing, or the background is foggy.</p> 	<ol style="list-style-type: none"> <li>1 Verify that the paper you are using is the correct type for the printer and is loaded properly. For details, refer to <a href="#">Supported Paper</a>.</li> <li>2 Verify that the paper loaded in the tray matches the paper type selected at the control panel and in the print driver.</li> <li>3 To print procedures on resolving print-quality problems, at the control panel, press the <b>Home</b> button. Touch <b>Device &gt; Information Pages &gt; Troubleshooting Print Quality Page &gt; Print</b>.</li> </ol> <p>If the Color Reference page looks correct, the printer is printing properly. Your application or incorrect settings in the print driver can be causing the print-quality problems.</p>

PROBLEM	SOLUTION
<p>Vertical White Lines or Streaks - One Color</p> <p>Lines or streaks appear in one color of your output.</p> 	<ol style="list-style-type: none"> <li>1 Print the test pages to identify the affected color.                     <ul style="list-style-type: none"> <li> Note: To print procedures on resolving print-quality problems, at the control panel, press the <b>Home</b> button, then touch <b>Device &gt; Information Pages &gt; Troubleshooting Print Quality Page &gt; Print</b>.</li> </ul> </li> <li>2 To inspect for possible contamination causing the process line streak, remove and reinsert the imaging unit. For more information, refer to <a href="#">Maintenance</a>.</li> </ol> <div data-bbox="824 663 1414 831" style="border: 1px solid black; padding: 5px; margin: 10px 0;"> <p><b>Warning:</b> Do not expose the imaging unit to direct light for more than 10 minutes. Extended exposure to light may cause print quality problems.</p> </div> <div data-bbox="824 852 1414 978" style="border: 1px solid black; padding: 5px; margin: 10px 0;"> <p><b>Warning:</b> Do not touch the photoconductor drum. Doing so may affect the quality of future print jobs.</p> </div> <ol style="list-style-type: none"> <li>3 If the problem persists, contact your local Xerox representative. The imaging unit may need to be replaced due to permanent damage.</li> </ol>
<p>Toner Missing or Easy to Rub Off</p> <p>Toner appears to be missing from the print or is easy to rub off.</p> 	<ol style="list-style-type: none"> <li>1 Verify that the paper you are using is the correct type for the printer and is loaded properly. For details, refer to <a href="#">Supported Paper</a>.</li> <li>2 At the control panel, select a heavier paper.                     <ul style="list-style-type: none"> <li> Note: Papers from lightest to heaviest are:                             <ul style="list-style-type: none"> <li>• For uncoated paper: Plain, Lightweight Cardstock, Cardstock, and Heavyweight Cardstock</li> <li>• For coated paper: Lightweight Glossy Cardstock, Glossy Cardstock, and Heavyweight Glossy Cardstock.</li> </ul> </li> </ul> </li> </ol>

### Toner Darkness Control

Your printer is designed to produce consistently high-quality prints. If you observe quality problems, use the information in this section to troubleshoot the problem. For more information, go to [www.xerox.com/office/VLC620support](http://www.xerox.com/office/VLC620support).

**Warning:** The Xerox Warranty or Service Agreement does not cover damage caused by using unsupported paper or specialty media. For more information, contact your local Xerox representative.

SYMPTOMS	SOLUTIONS
<p>Other print-quality problems related to toner and calibration.</p>	<p>If automatic calibration is disabled, perform the <b>Toner Patch Sensor</b> routine, periodically:</p> <ol style="list-style-type: none"> <li>1 At the printer control panel, touch <b>Device &gt; Tools</b>.</li> <li>2 Touch <b>Troubleshooting &gt; Calibration &gt; Toner Patch Sensor</b>.</li> <li>3 At the Toner Sensor Calibration page, make adjustments as required to the automatic calibration Frequency.</li> <li>4 To perform an immediate calibration, touch <b>Calibrate Now</b>.</li> </ol> <p>Unless disabled to save toner, the printer performs Toner Patch Sensor calibration automatically.</p>
<p>Toner Darkness Control</p>	<p>Perform the <b>Toner Darkness Control</b> routine:</p> <ol style="list-style-type: none"> <li>1 At the printer control panel, touch <b>Device &gt; Tools</b>.</li> <li>2 Touch <b>Device Settings &gt; General &gt; Toner Darkness Control</b>.</li> <li>3 Select <b>Normal</b> or <b>Dark</b> mode as required.</li> </ol>

If the problem persists, for online support information, go to [www.xerox.com/office/VLC620support](http://www.xerox.com/office/VLC620support).

## Getting Help

Xerox provides several automatic diagnostic utilities to help you maintain productivity and print quality.

### VIEWING ERROR AND ALERT MESSAGES ON THE CONTROL PANEL

When an error or warning condition occurs, the printer alerts you of the problem. A message appears on the control panel and the LED status light on the control panel flashes amber or red. Alerts inform you about printer conditions, such as low supplies or open doors that require your attention. Error messages warn you about printer conditions that prevent the printer from printing or degrade printing performance. If more than one condition occurs, only one appears on the control panel.

To view a complete list of active error and alert messages:

1. At the printer control panel, press the **Home** button.
2. Touch **Device**.
3. Touch **Notifications**.
4. Touch **Faults & Alerts, Alerts, or Faults**.
5. To view details, touch a fault or alert.
6. To exit the Notifications screen, touch **X**.
7. To return to the Home screen, press the **Home** button.

### VIEWING THE ERROR HISTORY ON THE CONTROL PANEL

When errors occur on the device, they are logged into an error history file by date, time, and associated fault code. You can use this list to identify trends and resolve problems.

To view the error history:

1. At the printer control panel, press the **Home** button.
2. Touch **Device**.
3. Touch **Notifications**.
4. Touch **Fault History**.
5. To exit, touch **X**.
6. To exit the Notifications screen, touch **X**.
7. To return to the Home screen, press the **Home** button.

### SUPPORT LOGS

Use the Support Logs feature only if a Xerox service representative instructs you to do so.

Log files are text files of recent device activity that are created and stored in the device in an encrypted format. A Xerox service representative can interpret the files to troubleshoot network problems.



Note: Support logs can include screenshots that are taken at the device control panel.

To capture a screenshot at the control panel, press the **Power** button, then touch the lower-left corner of the screen. After the screenshot is taken, the file name of the image appears on the screen. The file name includes the date, time, and serial number of the device.



Note: The device can capture most screens. When pop-up windows are displayed, the device sometimes captures the underlying screen only.

The screenshot images are stored with the log files. The device can store up to three screenshots for a maximum of 7 days. After 7 days, the files are deleted. If more than three screenshots are taken, the older files are deleted.

The Enhanced Logging feature enables the device to capture additional logs for specific functions or activities. A Xerox service representative can use the additional logs to investigate non-repeatable or intermittent device issues.



Note: The device supports enhanced logging for a maximum of three features at a time and also supports increased data analysis.

For information about configuring support log settings, refer to the *System Administrator Guide* at [www.xerox.com/office/VLC620docs](http://www.xerox.com/office/VLC620docs).

## THE EMBEDDED WEB SERVER

The Embedded Web Server is the administration and configuration software that is installed in the printer. It allows System Administrators to modify network and system settings on the printer remotely using a Web browser.

You can check the status of the printer, monitor paper and supply levels, and submit and track print jobs. All these functions can be accessed from the convenience of your computer.

The Embedded Web Server requires:

- A TCP/IP connection between the printer and the network in Windows, Macintosh, UNIX, or Linux environments.
- TCP/IP and HTTP enabled in the printer.
- A network-connected computer with a Web browser that supports JavaScript.

## ONLINE SUPPORT ASSISTANT

The Online Support Assistant is a knowledge base that provides instructions and troubleshooting help to solve your printer problems. You can find solutions for print-quality problems, paper jams, software installation issues, and more.

To access the Online Support Assistant, go to [www.xerox.com/office/VLC620support](http://www.xerox.com/office/VLC620support).

## INFORMATION PAGES

Your printer has a set of information pages that you can print. These pages include configuration and font information, getting started pages, and more.

The following Information Pages are available:



NAME	DESCRIPTION
Basic Configuration Report	The Basic Configuration Report provides printer information, including the serial number, installed options, network settings, port setup, tray information, and more.
Detailed Configuration Report	The Detailed Configuration Report provides information about all of the printer settings, including extensible services setup, security and authentication server configuration, connectivity settings, and more.
Billing Summary	The Billing Summary Report provides information about the device and a detailed listing of the billing meters and sheet counts.
Getting Started	The <i>Getting Started</i> guide provides an overview of the key features of the printer.
Troubleshooting Print Quality Page	The Troubleshooting Print Quality Page provides a list of common print-quality problems and tips to help solve them.
Supplies Usage Page	The Supplies Usage Page provides coverage information and part numbers for reordering supplies.
Graphics Demo Page	Print this page to check the quality of graphics.
PCL Font List	The PCL Font List provides a printout of all PCL fonts that are available on the printer.
PostScript Font List	The PostScript Font List provides a printout of all PostScript fonts that are available on the printer.

### Printing Information Pages

1. At the printer control panel, press the **Home** button.
2. Touch **Device > Information Pages**.
3. To print an information page, touch the needed page, then touch **Print**.  
The printer prints the selected information page.
4. To return to the Home screen, press the **Home** button.

### MORE INFORMATION

You can obtain more information about your printer from these sources:

RESOURCE	LOCATION
Installation Guide	Packaged with the printer.
Getting Started guide	Print from the control panel. For details, refer to <a href="#">Information Pages</a> .
Other documentation for your printer	<a href="http://www.xerox.com/office/VLC620docs">www.xerox.com/office/VLC620docs</a>
Recommended Media List	United States: <a href="http://www.xerox.com/rmlna">www.xerox.com/rmlna</a> European Union: <a href="http://www.xerox.com/rmleu">www.xerox.com/rmleu</a>
Technical support information for your printer, including online technical support, Online Support Assistant, and print driver downloads.	<a href="http://www.xerox.com/office/VLC620support">www.xerox.com/office/VLC620support</a>
Information Pages	Print from the control panel. For details, refer to <a href="#">Information Pages</a> .
Embedded Web Server information	In the Embedded Web Server, click <b>Help</b> .
Order supplies for your printer	<a href="http://www.xerox.com/office/supplies">www.xerox.com/office/supplies</a>
A resource for tools and information, including interactive tutorials, printing templates, helpful tips, and customized features to meet your individual needs.	<a href="http://www.xerox.com/office/businessresourcecenter">www.xerox.com/office/businessresourcecenter</a>
Local sales and Technical Customer Support	<a href="http://www.xerox.com/office/worldcontacts">www.xerox.com/office/worldcontacts</a>
Printer registration	<a href="http://www.xerox.com/register">www.xerox.com/register</a>
Xerox® Direct online store	<a href="http://www.direct.xerox.com/">www.direct.xerox.com/</a>

### Locating the Serial Number

When you order supplies or contact Xerox for assistance, you need the serial number of your device. You can obtain the serial number in several ways. To locate the serial number, print a configuration report, or view the serial number on the control panel or on the Embedded Web Server home page. The serial number is printed on a label that is affixed to the printer. To view the label, open Door A.

For details on how to print a configuration report, refer to [Information Pages](#).

To view the serial number on the control panel:

1. At the printer control panel, press the **Home** button.
2. Touch **Device > About**.  
The model, serial number, and software version is displayed.
3. To return to the Home screen, press the **Home** button.

# Specifications

This appendix contains:

Printer Configurations and Options.....	228
Physical Specifications .....	230
Clearance Requirements.....	232
Environmental Specifications .....	235
Electrical Specifications .....	236
Performance Specifications .....	237
Environmental, Health and Safety Contact Information .....	238

## Printer Configurations and Options

### STANDARD FEATURES

The printer provides the following features:

- Print from USB mass storage devices
- Print speed up to 50 ppm for A4 (210 x 297 mm) and 52 ppm for Letter (8.5 x 11 in.)
- 1200 x 1200 dpi imaging quality
- Print document sizes up to Legal (215.9 x 355.6 mm, 8.5 x 14 in.)
- Automatic 2-sided printing
- Color touch screen control panel
- Tray 1, Standard 550-sheet Tray with an integrated 100-sheet Bypass Tray
- Optional Trays 2–5, each with 550-sheet capacities
- 2-GByte DDR4 system memory
- Internal 32-GByte embedded Multi-Media Card (eMMC)
- Ethernet 10/100/1000Base-TX
- High-Speed USB 2.0 direct print
- Adobe® PostScript® and PCL® fonts and support
- Xerox® Global Print Driver and Xerox® Pull Print Driver support
- Automated supplies replenishment and management using Xerox® MeterAssistant®, Xerox® Supplies Assistant®, and Maintenance Assistant
- Remote driver installation
- Remote Control Panel, Backup and Restore, and Configuration Cloning
- Bonjour device discovery
- Xerox® Standard Accounting
- Encrypted Secure Print
- Trellix® Data Security



Note: Trellix® Data Security formerly known as McAfee® Data Security.

- Xerox® Extensible Interface Platform
- Xerox® Earth Smart Driver settings
- Embedded Web Server
- Support for mobile printing, mobile printing connectivity, and mobile apps
- Support for Xerox® Easy Assist App
- Support for Xerox® App Gallery
- Support for NFC printing


- Support for Mopria
- Support for AirPrint

**OPTIONS AND UPGRADES**

- Xerox Secure Access Unified ID System
- CAC and PIV Card Reader Enablement Kit
- Xerox® Network Accounting Enablement
- Productivity Kit (500+ GB Hard Disk Drive)
- RFID Card Reader Kit
- SIPRNet Enablement Kit
- Software for Unicode print
- Wireless Network Adapter with Bluetooth

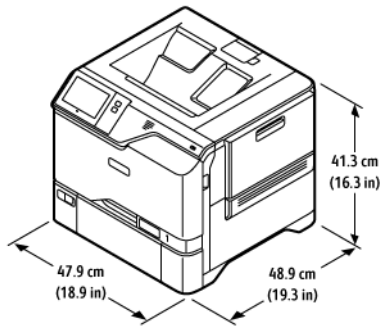
**FINISHING OPTIONS**

OUTPUT DEVICE	CAPACITY	SIZES	WEIGHTS	FINISHING OPTIONS
Center Tray	300 sheets	All supported sizes  For information on supported sizes, refer to <b>Supported Paper</b> .	All supported weights  For information on supported weights, refer to <b>Supported Paper</b> .	Not Applicable

 Note: Sheet quantities for tray capacities and finishing options are based on 75 g/m<sup>2</sup>. Quantities are reduced for heavier media and must be within the specified weight range.

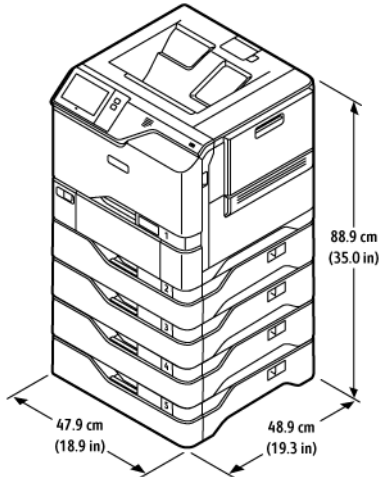
## Physical Specifications

### BASE CONFIGURATION

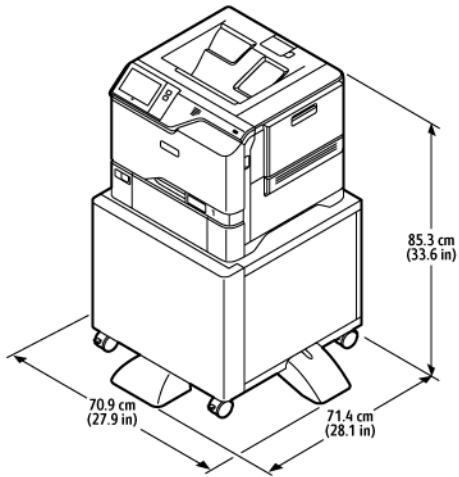


- Width: 47.9 cm (18.9 in.)
- Depth: 48.9 cm (19.3 in.)
- Height: 41.3 cm (16.3 in.)
- Weight:  $\leq$  32.2 kg (71 lb.)


### BASE CONFIGURATION WITH 4-OPTIONAL TRAY MODULES

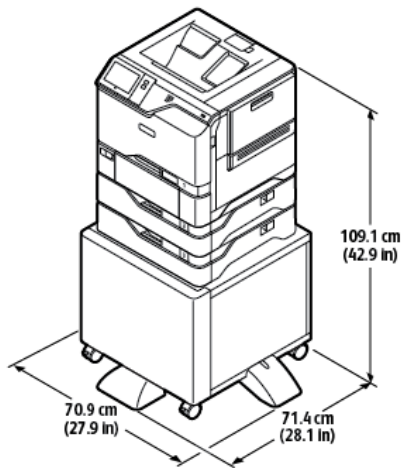


- Width: 47.9 cm (18.9 in.)
- Depth: 48.9 cm (19.3 in.)
- Height: 88.9 cm (35.0 in.)
- Weight:  $\leq$  59.4 kg (130.95 lb.)


**BASE CONFIGURATION WITH PRINTER STAND**

- Width: 70.9 cm (27.9 in.)
- Depth: 71.4 cm (28.1 in.)
- Height: 85.3 cm (33.6 in.)
- Weight:  $\leq$  47 kg (103.6 lb.)

 Note: The weight of the printer stand is 14.8 kg (32.7 lb.).

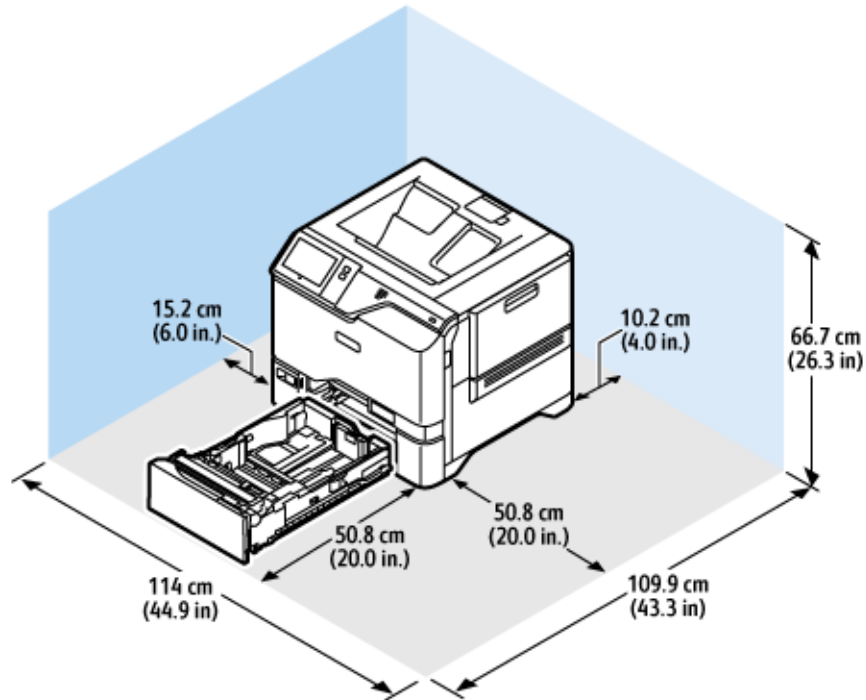
**CONFIGURATION WITH OPTIONAL TRAYS AND PRINTER STAND**

- Width: 70.9 cm (27.9 in.)
- Depth: 71.4 cm (28.1 in.)
- Height: 109.1 cm (42.9 in.)
- Weight:  $\leq$  60.6 kg (133.6 lb.)

 Note: The weight of the printer stand is 14.8 kg (32.7 lb.).

## Clearance Requirements

### BASE CONFIGURATION



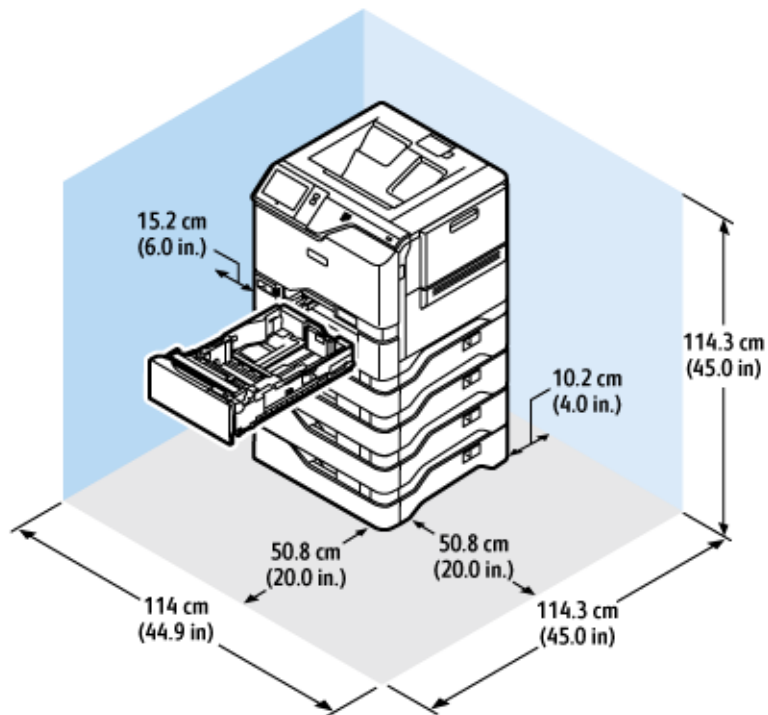
#### Installation Space

- Width: 114 cm (44.9 in.)
- Depth: 109.9 cm (43.3 in.)
- Height: 66.7 cm (26.3 in.)

#### Clearance

- Front: 50.8 cm (20.0 in.)
- Rear: 10.2 cm (4.0 in.)
- Left: 15.2 cm (6.0 in.)
- Right: 50.8 cm (20.0 in.)



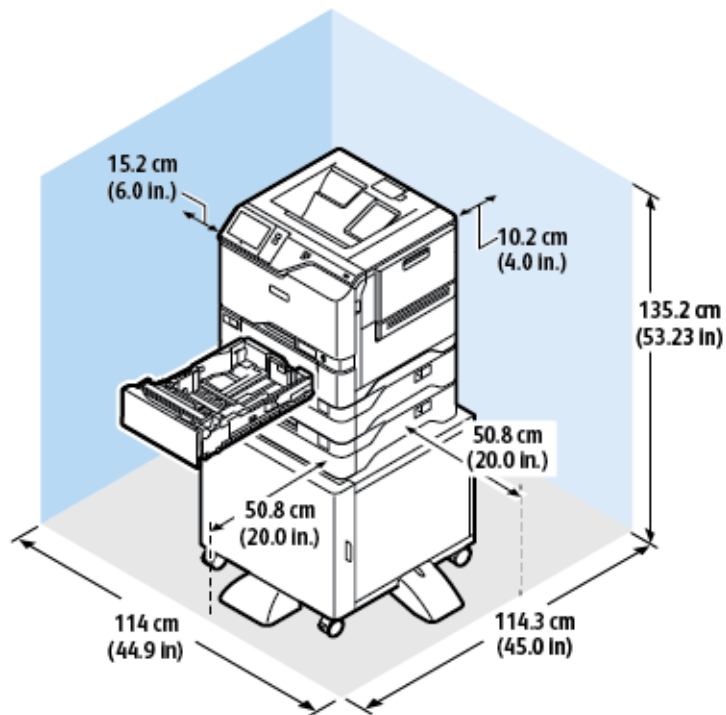
**BASE CONFIGURATION WITH 4-OPTIONAL TRAY MODULES****Installation Space**

- Width: 114 cm (44.9 in.)
- Depth: 114.3 cm (45.0 in.)
- Height: 114.3 cm (45.0 in.)

**Clearance**

- Front: 50.8 cm (20.0 in.)
- Rear: 10.2 cm (4.0 in.)
- Left: 15.2 cm (5.9 in.)
- Right: 50.8 cm (20.0 in.)

**CONFIGURATION WITH OPTIONAL TRAYS AND PRINTER STAND**



Installation Space

- Width: 114 cm (44.9 in.)
- Depth: 114.3 cm (45.0 in.)
- Height: 135.2 cm (53.23 in.)

Clearance

- Front: 50.8 cm (20.0 in.)
- Rear: 10.2 cm (4.0 in.)
- Left: 15.2 cm (6.0 in.)
- Right: 50.8 cm (20.0 in.)

## Environmental Specifications

### **TEMPERATURE**

Operating: 10-32° C (50-90° F)

### **RELATIVE HUMIDITY**

Operating: 15–80% (non-condensing)

### **ELEVATION**

For optimum performance, use the printer at elevations below 2896 m (9500 ft.).

## Electrical Specifications

SPEED	POWER SUPPLY VOLTAGE	FREQUENCY	CURRENT REQUIRED
52 prints per minute	100–110 VAC +/-10%	50 Hz +/-3 Hz 60 Hz +/-3 Hz	10 A
	110–127 VAC +/-10%	50 Hz +/-3 Hz 60 Hz +/-3 Hz	9 A
	220–240 VAC +/-10%	50 Hz +/-3 Hz 60 Hz +/-3 Hz	4.5 A

## Performance Specifications

### PRINTING RESOLUTION

Maximum Resolution: 1200 x 1200 dpi

### PRINT SPEED

Xerox reports maximum speed for continuous printing using short-edge feed on 75 g/m<sup>2</sup> paper from any tray:

- 50 ppm for A4 (210 x 297 mm, 8.27 x 11.69 in.)
- 52 ppm for Letter (216 x 279 mm, 8.5 x 11 in.)

Several factors affect print speed:

- Paper orientation: Most paper sizes are loaded short-edge feed. For faster print speeds when using A5 (148 x 210 mm, 5.8 x 8.3 in.), load the paper long-edge feed.
- Paper size: Letter (8.5 x 11 in.) and A4 (210 x 297 mm) sizes share the faster print speeds.
- Paper weight: Lightweight prints faster than heavier paper, such as Cardstock and Labels.
- Paper type: Plain prints faster than Glossy.

You can achieve the rated print speed when you print on Plain, Letter or A4 paper, using short-edge feed. The print speed can be significantly slower when you print on narrow media, such as envelopes that are less than 210 mm wide.

## Environmental, Health and Safety Contact Information

For more information on Environment, Health, and Safety in relation to this Xerox product and supplies, contact:

- United States and Canada, only: 1-800-ASK-XEROX (1-800-275-9376)
- Web address: [Environmental Health & Sustainability - Xerox](#)
- Email request (world-wide): [EHS-Europe@xerox.com](mailto:EHS-Europe@xerox.com)

For product safety information in the United States and Canada, go to [www.xerox.com/environment](http://www.xerox.com/environment).

# Regulatory Information

This appendix contains:

- Basic Regulations ..... 240
- Safety Certification..... 247
- Material Safety Data Sheets ..... 248

## Basic Regulations

Xerox has tested this printer to electromagnetic emission and immunity standards. These standards are designed to mitigate interference caused or received by this printer in a typical office environment.

Changes or modifications to this device not specifically approved by Xerox® Corporation can void the authority of the user to operate this equipment.

### UNITED STATES FCC REGULATIONS

This equipment has been tested and found to comply with the limits for a Class A digital device, pursuant to Part 15 of the Federal Communications Commission (FCC) Rules. These limits are designed to provide reasonable protection against harmful interference when the equipment is operated in a commercial environment. This equipment generates, uses, and can radiate radio frequency energy. If the equipment is not installed and used in accordance with the instruction manual, it may cause harmful interference to radio communications. Operation of this equipment in a residential area is likely to cause harmful interference. Users are required to correct the interference at their own expense.

Changes or modifications to this equipment not approved by Xerox can void the authority of the user to operate this equipment.

To maintain compliance with FCC regulations, shielded cables must be used with this equipment. Operation with non-approved equipment or unshielded cables is likely to result in interference to radio and TV reception.

**Warning:** To ensure compliance with Part 15 of the FCC rules, use shielded interface cables.

### Xerox® VersaLink® C620 Color Printers

Xerox® VersaLink® C620 Color Printers comply with Part 15 of the FCC rules. Operation is subject to the following two conditions:

- The devices are not used to cause harmful interference.
- The devices must accept any interference received, including any interference that can cause an undesired operation.

Responsible Party: Xerox Corporation

Address: 800 Phillips Road, Webster, NY 14580

Internet contact information: [www.xerox.com/en-us/about/ehs](http://www.xerox.com/en-us/about/ehs).

### REGULATORY INFORMATION FOR 2.4-GHZ AND 5-GHZ WIRELESS NETWORK ADAPTERS

This product contains a 2.4-GHz and 5-GHz Wireless LAN radio transmitter module that complies with the requirements specified in FCC Part 15, Industry Canada RSS-210, and European Council Directive 2014/53/EU. Radio Frequency (RF) output power of this device will not exceed 20 dBm in either frequency band.

Operation of this device is subject to the following two conditions:

1. This device may not cause harmful interference, and
2. This device must accept any interference received, including interference that may cause undesired operation.



Changes or modifications to this device not specifically approved by the Xerox Corporation can void the authority of the user to operate this equipment.

## LASER NOTICE

The printer is certified in the U.S. to conform to the requirements of DHHS 21 CFR, Chapter I, Subchapter J for Class I (1) laser products, and elsewhere is certified as a Class I laser product conforming to the requirements of IEC 60825-1: 2014.

Class I laser products are not considered to be hazardous. The laser system and printer are designed so there is never any human access to laser radiation above a Class I level during normal operation, user maintenance, or prescribed service conditions. The printer has a non-serviceable printhead assembly that contains a laser with the following specifications:

Class: IIIb (3b) AlGaAs

Nominal output power (milliwatts): 12

Wavelength (nanometers): 770–800

## CANADA

This Class A digital apparatus complies with Canadian ICES-003 and ICES-001.

Cet appareil numérique de la classe A est conforme à la norme NMB-003 et NMB-001 du Canada.

This product contains a 2.4-GHz and 5-GHz Wireless LAN radio transmitter module that complies with the requirements specified in Industry Canada RSS-210.

Ce produit contient un module émetteur radio LAN sans fil de 2.4 GHz et 5 GHz conforme aux exigences spécifiées dans la réglementation Industrie du Canada RSS-210.

This device complies with Industry Canada's licence-exempt RSSs. Operation is subject to the following two conditions:

1. This device may not cause interference.
2. This device must accept any interference, including interference that may cause undesired operation of the device.

Le présent appareil est conforme aux CNR d'Industrie Canada applicables aux appareils radio exempts de licence. L'exploitation est autorisée aux deux conditions suivantes:

1. l'appareil ne doit pas produire de brouillage, et
2. l'utilisateur de l'appareil doit accepter tout brouillage radioélectrique subi, même si le brouillage est susceptible d'en compromettre le fonctionnement.

There are operational restrictions for License-Exempt Local Area Network (LE-LAN) devices: the device for operation in the band 5150–5250 MHz is only for indoor use to reduce the potential for harmful interference to co-channel mobile satellite systems.

Il y a des restrictions opérationnelles pour dispositifs de réseaux locaux exempts de licence (RL-EL): les dispositifs fonctionnant dans la bande 5 150–5 250 MHz sont réservés uniquement pour une utilisation à l'intérieur afin de réduire les risques de brouillage préjudiciable aux systèmes de satellites mobiles utilisant les mêmes canaux.

This transmitter must not be co-located or operating in conjunction with any other antenna or transmitter. This equipment should be installed and operated with a minimum distance of 20 centimeters between the radiator and your body.

Cet émetteur ne doit pas être Co-placé ou ne fonctionnant en même temps qu'aucune autre antenne ou émetteur. Cet équipement devrait être installé et actionné avec une distance minimum de 20 centimètres entre le radiateur et votre corps.

## EUROPEAN UNION AND EUROPEAN ECONOMIC AREA COMPLIANCE



The CE mark applied to this product indicates compliance to applicable EU Directives

The full text of the EU Declaration of Conformity is located at [www.xerox.com/en-us/about/ehs](http://www.xerox.com/en-us/about/ehs).

This product contains a 2.4-GHz and 5-GHz Wireless LAN radio transmitter module.

Radio Frequency (RF) output power of this device will not exceed 20 dBm in either frequency band.

Hereby, Xerox declares that the radio equipment model VersaLink® B620 and C620 Printers are in compliance with Directive 2014/53/EU.

This printer, if used properly in accordance with the instructions, is not dangerous for the consumer or for the environment.

### Warning:

- Changes or modifications to this equipment not specifically approved by the Xerox Corporation may void the user's authority to operate this equipment.
- External radiation from Industrial, Scientific, and Medical (ISM) equipment can interfere with the operation of this Xerox device. If external radiation from ISM equipment interferes with this device, contact your Xerox representative for assistance.
- This is a class A product. In a domestic environment, this product can cause radio frequency interference, in which case the user can be required to take adequate measures.
- To ensure compliance with European Union regulations, use shielded interface cables.

## European Union Lot 4 Imaging Equipment Agreement

Xerox® has agreed to design criteria for energy efficiency and environmental performance of our products that are in scope of the European Union (EU) Energy Related Products Directive, specifically the Lot 4 - Imaging Equipment.

In scope products include Household and Office equipment that meet the following criteria:

- Standard monochrome format products with a maximum speed less than 66 A4 images per minute.
- Standard color format products with a maximum speed less than 51 A4 images per minute.

TO LEARN MORE ABOUT	GO TO
<ul style="list-style-type: none"> <li>• Power Consumption and Activation Times</li> <li>• Default Energy Saver Settings</li> </ul>	<i>User Documentation or Systems Administrators Guide</i> <a href="http://www.xerox.com/office/VLC620docs">www.xerox.com/office/VLC620docs</a>
<ul style="list-style-type: none"> <li>• Benefits of purchasing ENERGY STAR® qualified products</li> </ul>	<a href="http://www.energystar.gov">www.energystar.gov</a>
<ul style="list-style-type: none"> <li>• Environmental Benefits of Duplex Printing</li> <li>• Benefits of using lighter paper weights (60 g/m<sup>2</sup>) and Recyclability</li> <li>• Cartridge disposal and treatment</li> <li>• Xerox participation in sustainability initiatives</li> </ul>	<a href="http://www.xerox.com/en-us/about/ehs">www.xerox.com/en-us/about/ehs</a>

### European Union Lot 19 Ecodesign Directive

Per European Commission Ecodesign Directive, the light source contained within this product or its components is intended to be used for Image Capture or Image Projection only, and is not intended for use in other applications.

### ENERGY STAR



The ENERGY STAR program is a voluntary scheme to promote the development and purchase of energy-efficient models, which help to reduce environmental impact. Details on the ENERGY STAR program and models qualified to ENERGY STAR can be found at the following website: [www.energystar.gov](http://www.energystar.gov).

The ENERGY STAR and ENERGY STAR mark are registered United States trademarks.

The ENERGY STAR Imaging Equipment Program is a team effort between United States, European Union, Japanese governments, and the office equipment industry to promote energy-efficient copiers, printers, fax, multifunction printers, personal computers, and monitors. Reducing product energy consumption helps combat smog, acid rain, and long-term changes to the climate by decreasing the emissions that result from generating electricity.

For more information on energy or other related topics, go to [www.xerox.com/environment](http://www.xerox.com/environment) or [www.xerox.com/environment\\_europe](http://www.xerox.com/environment_europe).

### Power Consumption and Activation Time

The amount of electricity that a device consumes depends on the way the device is used. This device is designed and configured to enable you to reduce your electricity usage.

To reduce energy consumption, your device is configured to use Energy Saver modes. After the last print, the device transitions to Ready mode. In Ready mode, the device can print again immediately. If the device is not used for a specified period, the device transitions to Sleep mode. To reduce power consumption, only essential functions remain active in Sleep mode. The device takes longer to produce the first print after it exits Sleep Mode, than it

takes to print in Ready mode. This delay is the result of the printer that wakes up and is typical of most imaging devices on the market.

To save power, you can configure Energy Saver modes. The following options are available:

- **Job Activated:** The device wakes when it detects activity. To set the delay before the device enters Sleep Mode, enter the number of minutes.
- **Sleep and wake up at scheduled times:** The device wakes and sleeps according to a schedule that you specify.
- **Auto Power Off:** To allow the device to power off after a period of time in Sleep Mode, select Auto Power Off. To set the delay before the printer powers off from the Sleep Mode setting, enter the number of hours.

To change the Energy Saver mode settings, refer to the *User Guide* at [www.xerox.com/office/VLC620docs](http://www.xerox.com/office/VLC620docs). For further assistance, contact your System Administrator or refer to the *System Administrator Guide*.

To enable Auto Power Off mode, contact your System Administrator. For details, refer to the *System Administrator Guide* at [www.xerox.com/office/VLC620docs](http://www.xerox.com/office/VLC620docs).

To learn more about Xerox participation in sustainability initiatives, go to: [www.xerox.com/environment](http://www.xerox.com/environment) or [www.xerox.com/environment\\_europe](http://www.xerox.com/environment_europe).



Note: Changing the default Energy Saver activation times can result in an overall higher energy consumption of the device. Before you turn off Energy Saver modes or set a long activation time, consider the increase in device power consumption.

### Default Energy Saver Settings

This device is ENERGY STAR®-qualified under the ENERGY STAR Program Requirements for Imaging Equipment. The transition time from Ready mode to Sleep mode can be set from 0–60 or 0–120 minutes, depending on the printer model. The default value is set to 0 minutes. The maximum transition time from Ready mode to Sleep mode can take up to 120 minutes, depending on the printer model and system configuration.

To change the Energy Saver settings, or enable Auto Standby capability, contact your system administrator or refer to *System Administrator Guide* at [www.xerox.com/office/VLC620docs](http://www.xerox.com/office/VLC620docs).

### EPEAT

This device is registered in the EPEAT directory for meeting the ecolabel properties. Included is the factory defaulted Sleep mode enablement. In Sleep mode the printer uses less than 1 Watt of power.

To learn more about Xerox participation in sustainability initiatives, go to <https://www.xerox.com/en-us/about/ehs> or [www.xerox.co.uk/about-xerox/environment/engb.html](http://www.xerox.co.uk/about-xerox/environment/engb.html).

### Environmental Benefits of Duplex Printing

Most Xerox products have duplex printing, also known as 2-sided printing, capability. This enables you to print on both sides of the paper automatically, and therefore helps to reduce the use of valuable resources by reducing your paper consumption. The Lot 4 Imaging Equipment agreement requires that on models greater than or equal to 40 ppm color or greater than or equal to 45 ppm monochrome the duplex function has been auto enabled, during the setup and driver installation. Some Xerox models below these speed bands may also be enabled with 2-sided printing settings defaulted on at the time of install. Continuing to use the duplex function will reduce the

environmental impact of your work. However, should you require simplex/1-sided printing, you may change the print settings in the print driver.

### Paper Types

This product can be used to print on both recycled and virgin paper, approved to an environmental stewardship scheme, which complies with EN12281 or a similar quality standard. Lighter weight paper (60 g/m<sup>2</sup>), which contains less raw material and thus saves resources per print, may be used in certain applications. We encourage you to check if this is suitable for your printing needs.

### EURASIAN ECONOMIC COMMUNITY CERTIFICATION



The EAC mark applied to this product indicates certification for use on the markets of the Member States of the Customs Union.

### GERMANY

#### Germany - Blue Angel



RAL, the German Institute for Quality Assurance and Labeling, has awarded the following configuration of this device the Blue Angel Environmental Label:

Network printer with automatic 2-sided printing and USB or network connectivity.

This label distinguishes it as a device that satisfies Blue Angel criteria for environmental acceptability in terms of device design, manufacture, and operation. For more information, go to [www.blauer-engel.de](http://www.blauer-engel.de).

### Blendschutz

Das Gerät ist nicht für die Benutzung im unmittelbaren Gesichtsfeld am Bildschirmarbeitsplatz vorgesehen. Um störende Reflexionen am Bildschirmarbeitsplatz zu vermeiden, darf dieses Produkt nicht im unmittelbaren Gesichtsfeld platziert werden.

### Lärmemission

Maschinenlärminformations-Verordnung 3. GPSGV: Der höchste Schalldruckpegel beträgt 70 dB(A) oder weniger gemäß EN ISO 7779.

### Importeur

Xerox GmbH

Hellersbergstraße 2-4

41460 Neuss

Deutschland

#### **TURKEY ROHS REGULATION**

In compliance with Article 7 (d), we hereby certify “it is in compliance with the EEE regulation.”

“EEE yönetmeliğine uygundur.”

#### **UKRAINE ROHS COMPLIANCE**

Обладнання відповідає вимогам Технічного регламенту щодо обмеження

використання деяких небезпечних речовин в електричному та електронному

обладнанні, затвердженого постановою Кабінету Міністрів України від 3 грудня 2008 № 1057

The equipment complies with requirements of the Technical Regulation, approved by the Resolution of Cabinet of Ministry of Ukraine as of December 3, 2008, in terms of restrictions for the use of certain dangerous substances in electrical and electronic equipment.

## Safety Certification

This device is compliant with IEC and EN product safety standards certified by a National Regulatory Test Laboratory (NRTL).

## Material Safety Data Sheets

For Material Safety Data information regarding your printer, go to:

- Web address: [Xerox Safety Documents and Compliance Information](#)
- United States and Canada, only: 1-800-ASK-XEROX (1-800-275-9376)
- Other markets, send an email request to: [EHS-Europe@xerox.com](mailto:EHS-Europe@xerox.com)



# Recycling and Disposal

This appendix contains:

- All Countries..... 250
- North America..... 251
- European Union ..... 252
- Other Countries ..... 253

## All Countries

If you are managing the disposal of your Xerox product, please note that the printer may contain lead, mercury, perchlorate, and other materials whose disposal may be regulated due to environmental considerations. The presence of these materials is fully consistent with global regulations applicable at the time that the product was placed on the market.

For recycling and disposal information, contact your local authorities.

Perchlorate Material: This product may contain one or more Perchlorate-containing devices, such as batteries. Special handling may apply. For more information, go to [www.dtsc.ca.gov/hazardouswaste/perchlorate](http://www.dtsc.ca.gov/hazardouswaste/perchlorate).

### **BATTERY REMOVAL**

Batteries should only be replaced by a manufacturer-approved service facility.

## North America

Xerox operates an equipment take-back and reuse/recycle program. Contact your Xerox representative (1-800-ASK-XEROX) to determine if this Xerox product is part of the program.

For more information about Xerox environmental programs, visit [www.xerox.com/environment](http://www.xerox.com/environment).

For recycling and disposal information, contact your local authorities.

## European Union



These symbols indicate that this product is not to be disposed of with your household waste, according to the Waste Electrical and Electronic Equipment (WEEE) Directive (2012/19/EU), the Battery Directive (2006/66/EC) and national legislation implementing those Directives.

If a chemical symbol is printed beneath the symbol shown above, in accordance with the Battery Directive, this indicates that a heavy metal (Hg = Mercury, Cd = Cadmium, Pb = Lead) is present in this battery or accumulator at a concentration above an applicable threshold specified in the Battery Directive.

Some equipment may be used in both a domestic/household and a professional/business application. Private households within European Union may return used electrical and electronic equipment to designated collection facilities free of charge. For more information about collection and recycling of old products and batteries, contact your local municipality, your waste disposal service or the point of sale where you purchased the items. In some member states, when you purchase new equipment, your local retailer may be required to take back your old equipment free of charge. For more information, contact your retailer.

Business Users in the European Union, in accordance with European legislation, end of life electrical and electronic equipment subject to disposal must be managed within agreed procedures. If you wish to discard electrical and electronic equipment, contact your dealer or supplier, local reseller or Xerox representative for end of life take-back information prior to disposal.

Improper handling of this type of waste could have a possible impact on the environment and human health due to potentially hazardous substances that are generally associated with EEE. Your cooperation in the correct disposal of this product will contribute to the effective usage of natural resources.

### **DISPOSAL OUTSIDE OF THE EUROPEAN UNION**

These symbols are only valid in the European Union. If you wish to discard these items, please contact your local authorities or dealer and ask for the correct method of disposal.

## Other Countries

Please contact your local waste management authority to request disposal guidance.













# Apps Features




This appendix contains:

Apps Features.....	256
--------------------	-----

## Apps Features

FEATURE		DESCRIPTION	PRINT FROM
	<b>2-Sided Printing</b>	You can use the 2-sided options to set the device to print one or both sides of a document. For Print jobs, you can specify 1-sided or 2-sided output.	✓
	<b>Collation</b>	You can collate multiple-page print jobs automatically. For example, when you are making three 1-sided copies of a six-page document, the copies are printed in this order:  1, 2, 3, 4, 5, 6; 1, 2, 3, 4, 5, 6; 1, 2, 3, 4, 5, 6.	✓
	<b>Quantity</b>	Use this option to enter the number of required print copies.	✓
	<b>Paper Supply</b>	Use Paper Supply to specify the size, type and color of the paper required, or the paper tray to use. If Auto is selected, the printer chooses the paper tray based on the original document size and the selected settings.	✓
	<b>Output Color</b>	Use Output Color to control the color rendering of the output image or print.	✓
	<b>Auto Detect</b>	To automatically detect and control the color rendering of the output image, use <b>Output Color &gt; Auto Detect</b> .	✓
	<b>Black &amp; White</b>	To print any image in black and white, use <b>Output Color &gt; Black &amp; White</b> .	✓
	<b>Image Scale &amp; Placement</b>	Image Scale & Placement allows you to modify the location of the image on the page. You can shift the printed image along the X and Y axes of each sheet of paper.	✓
	<b>Auto</b>	Use <b>Image Scale &amp; Placement &gt; Auto</b> setting to adjust the image on the page automatically.	✓
	<b>Fit to Page; Center; Smart Rotate</b>	Use <b>Image Scale &amp; Placement &gt; Fit to Page &gt; Center &gt; Smart Rotate</b> setting to adjust the image on the center of the page.	✓
	<b>Fill Entire Page; Center; Smart Rotate</b>	Use <b>Image Scale &amp; Placement &gt; Fill Entire Page &gt; Center &gt; Smart Rotate</b> setting to adjust the image to fill the entire page.	✓



FEATURE		DESCRIPTION	PRINT FROM
	<b>Scale Image</b>	Access additional image adjustment settings from <b>Image Scale &amp; Placement &gt; More &gt; Scale Image</b> .	✓
	<b>Center</b>	Access additional image adjustment settings from <b>Image Scale &amp; Placement &gt; More &gt; Center</b> .	✓
	<b>Smart Rotate</b>	Access additional image adjustment settings from <b>Image Scale &amp; Placement &gt; More &gt; Smart Rotate</b> .	✓





