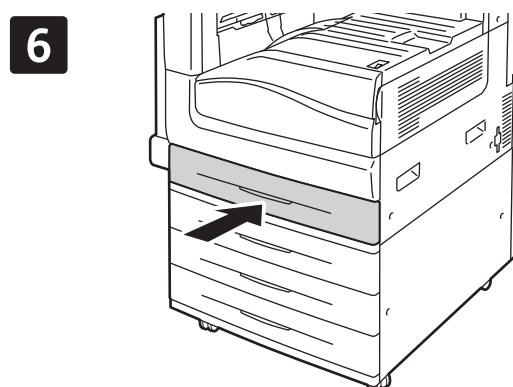
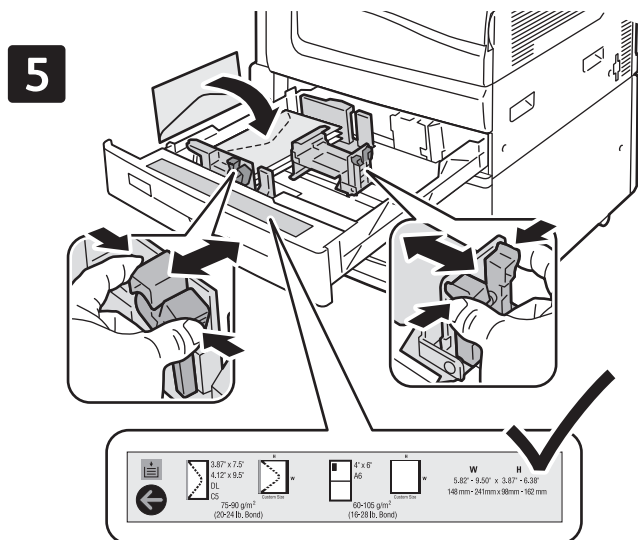
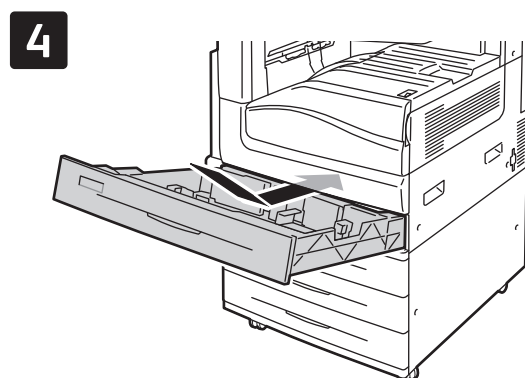
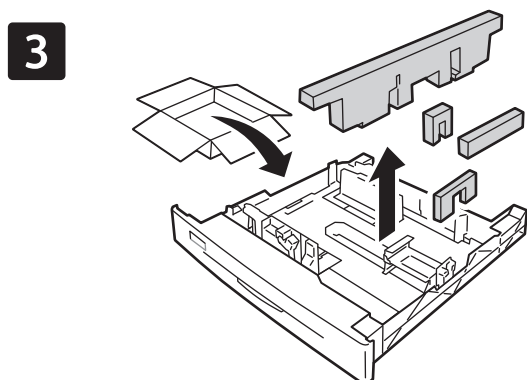
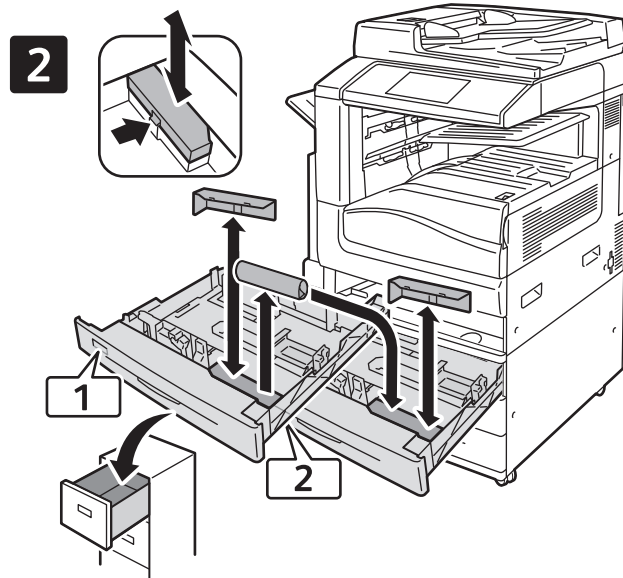
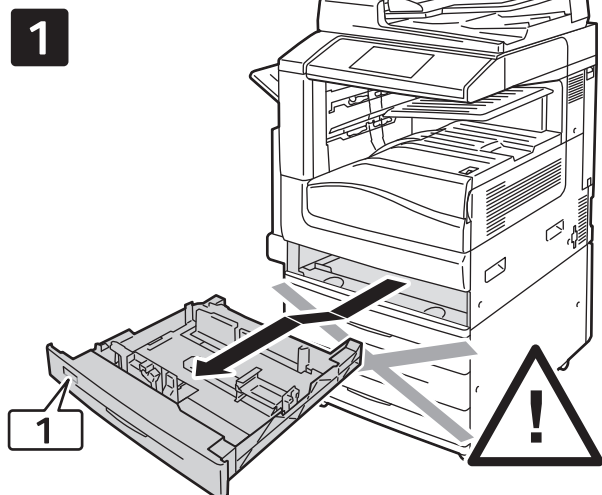
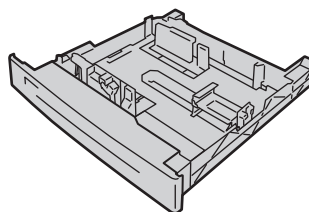


Xerox® WorkCentre® 7500 Series
Xerox® WorkCentre® 7800 Series



WC75XX

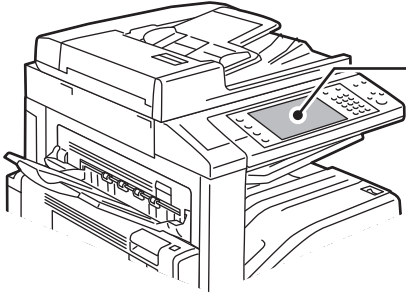


WC78XX

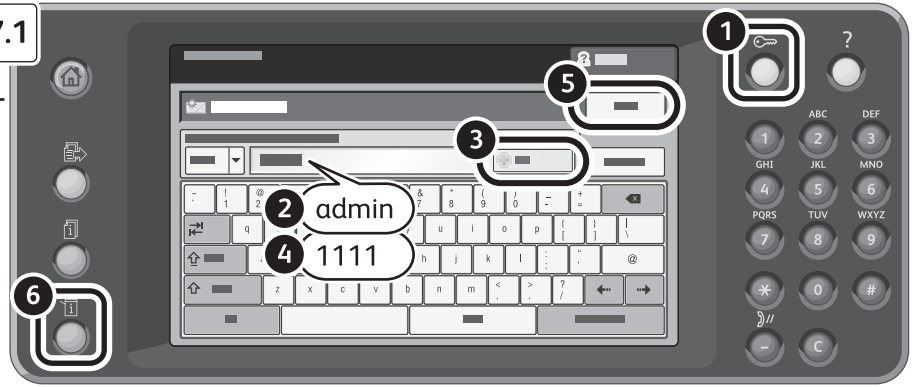


7

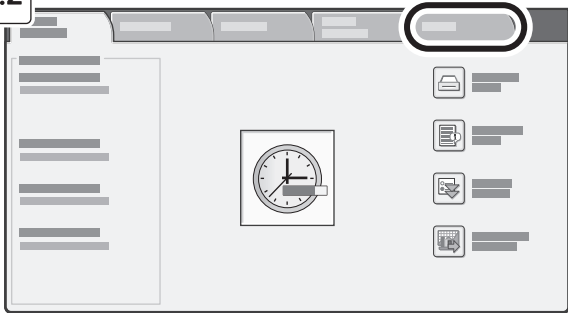
WC75XX



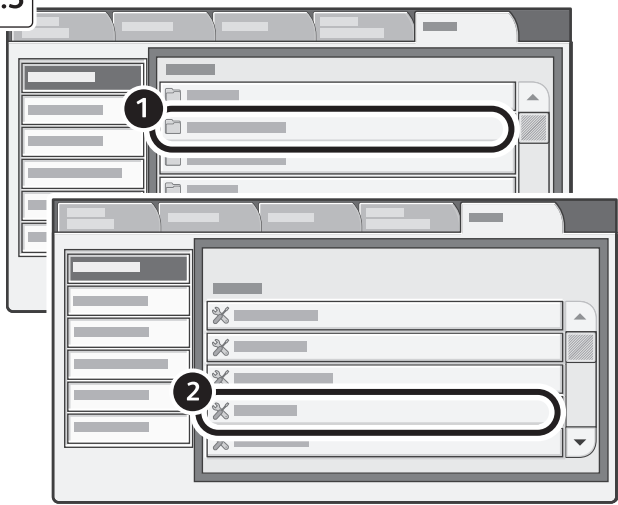
7.1



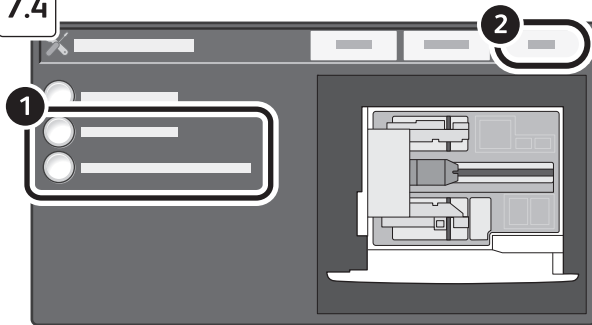
7.2



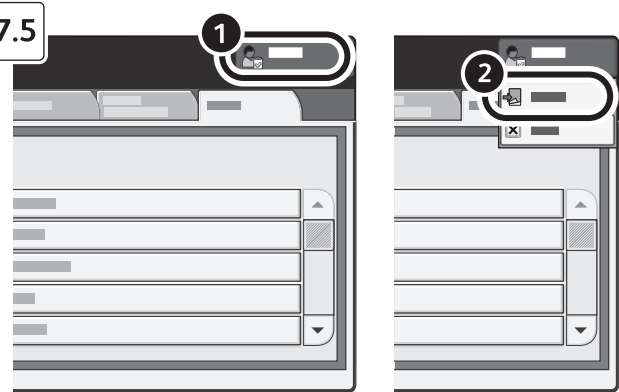
7.3



7.4



7.5



7.6



WC75XX



For more information, see www.xerox.com/office/WC75xxdocs.

Pour plus d'informations, consulter le www.xerox.com/office/WC75xxdocs.

Per maggiori informazioni, vedere la www.xerox.com/office/WC75xxdocs.

Weitere Informationen sind unter www.xerox.com/office/WC75xxdocs.

Si desea más información, consulte la www.xerox.com/office/WC75xxdocs.

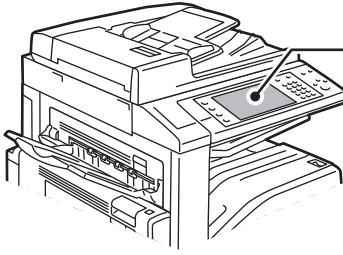
Para obter mais informações, consulte o: www.xerox.com/office/WC75xxdocs.

WC78XX



8

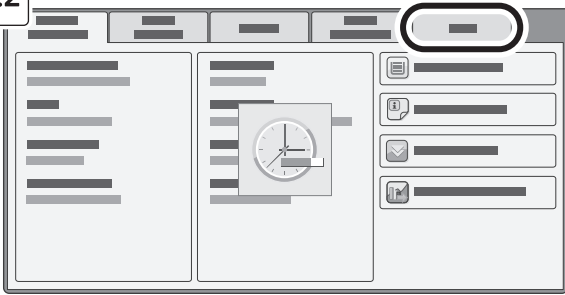
WC78XX



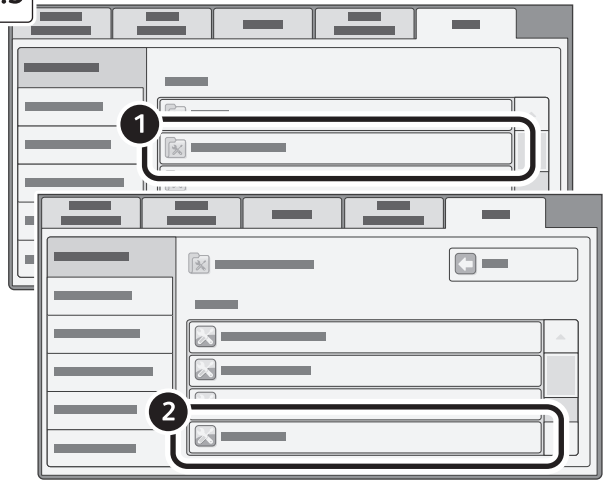
8.1



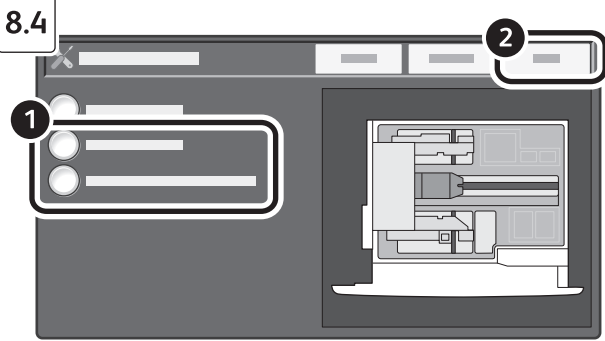
8.2



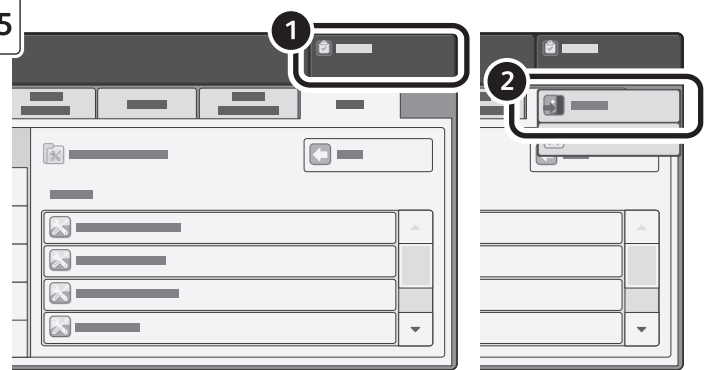
8.3



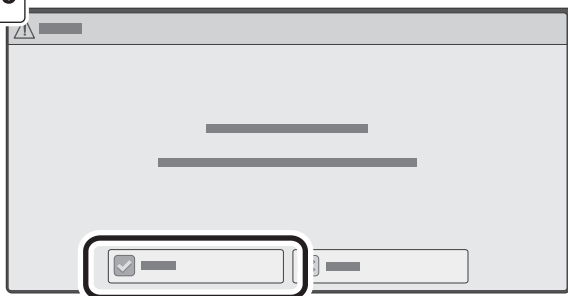
8.4



8.5



8.6



WC78XX



For more information, see www.xerox.com/office/WC78xxdocs.

Pour plus d'informations, consulter le www.xerox.com/office/WC78xxdocs.

Per maggiori informazioni, vedere la www.xerox.com/office/WC78xxdocs.

Weitere Informationen sind unter www.xerox.com/office/WC78xxdocs.

Si desea más información, consulte la www.xerox.com/office/WC78xxdocs.

Para obter mais informações, consulte o: www.xerox.com/office/WC78xxdocs.