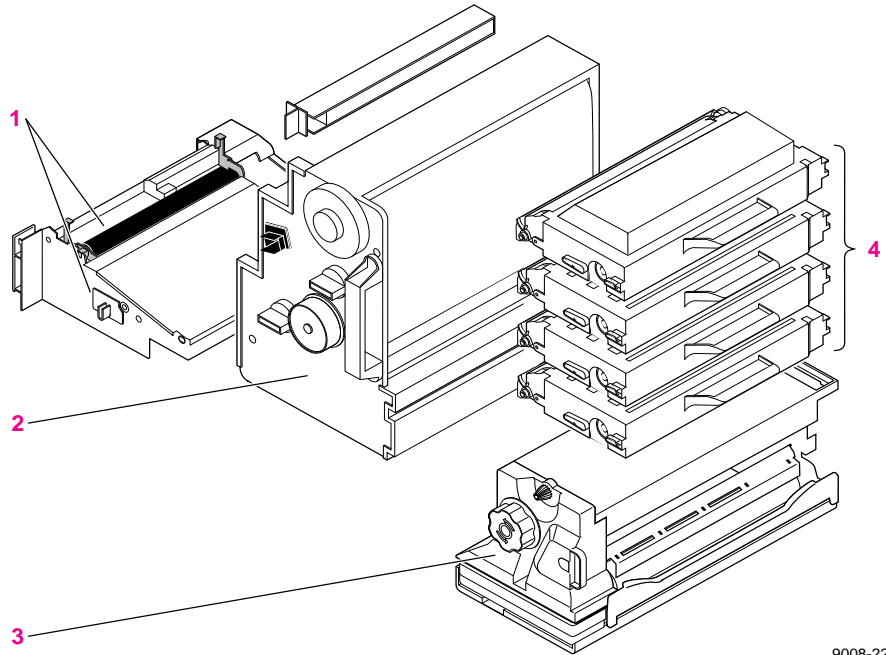


User-replaceable components

This printer is designed modularly so that it is easy to maintain: several of the components are replaceable. What this means to you is that scheduled cleaning is not necessary. These are the replaceable components:

1. Transfer kit (transfer roller and waste bin)
2. Imaging unit (includes the filter and corona wire)
3. Fuser
4. Toner cartridges



When to replace or clean components

The following table lists the replaceable components and what symptoms to look for when they need to be replaced or cleaned.

Printer component	Average life*	Symptom
Toner cartridges		
<i>Change the color toner soon.</i>	6,500 pages	<ul style="list-style-type: none"> ■ Front panel message: <color>:low
<i>Change the color toner now.</i>		<ul style="list-style-type: none"> ■ Faded or missing color in a single color. ■ A straight, narrow, and even vertical light streak in one color.
Imaging unit		
<i>Replace the imaging unit.</i>	40,000 images	<ul style="list-style-type: none"> ■ Dark, vertical streaks on the whole page. ■ Dark color spots and streaks in all colors. ■ A wide, light, horizontal band in one place on the page. ■ All colors are faded; fine line detail disappears. ■ Front panel message: Imaging Unit: replace
Fuser	40,000 pages	<ul style="list-style-type: none"> ■ Front panel message: Fuser: replace
Transfer kit	40,000 pages	<ul style="list-style-type: none"> ■ Front panel message: Transfer Kit: replace
Corona wire		
<i>Clean the corona wire.</i>	As needed	<ul style="list-style-type: none"> ■ Vertical light streaks that are wavy, wide, and appear in all colors.

* These figures are based on an average of 5% coverage of the printable area for any one color. The frequency of replacement will vary, depending on the complexity of the prints you are making.